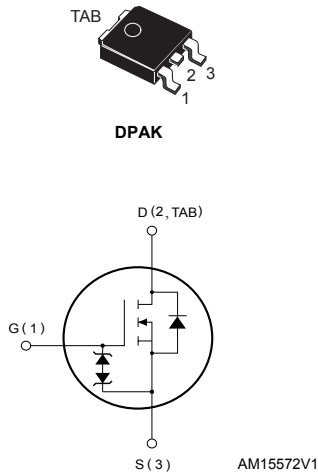


## N-channel 500 V, 0.325 $\Omega$ typ., 10 A MDmesh M2 Power MOSFET in a DPAK package



### Features

Order code	$V_{DS}$	$R_{DS(on)max.}$	$I_D$
STD12N50M2	500 V	0.38 $\Omega$	10 A

- Extremely low gate charge
- Excellent output capacitance ( $C_{OSS}$ ) profile
- 100% avalanche tested
- Zener-protected

### Applications

- Switching applications

### Description

This device is an N-channel Power MOSFET developed using MDmesh M2 technology. Thanks to its strip layout and an improved vertical structure, the device exhibits low on-resistance and optimized switching characteristics, rendering it suitable for the most demanding high efficiency converters.



#### Product status link

[STD12N50M2](#)

#### Product summary

<b>Order code</b>	STD12N50M2
<b>Marking</b>	12N50M2
<b>Package</b>	DPAK
<b>Packing</b>	Tape and reel

# 1 Electrical ratings

**Table 1. Absolute maximum ratings**

Symbol	Parameter	Value	Unit
$V_{GS}$	Gate-source voltage	$\pm 30$	V
$I_D$	Drain current (continuous) at $T_C = 25\text{ }^\circ\text{C}$	10	A
$I_D$	Drain current (continuous) at $T_C = 100\text{ }^\circ\text{C}$	7	A
$I_{DM}^{(1)}$	Drain current (pulsed)	40	A
$P_{TOT}$	Total power dissipation at $T_C = 25\text{ }^\circ\text{C}$	85	W
$dv/dt^{(2)}$	Peak diode recovery voltage slope	15	V/ns
$dv/dt^{(3)}$	MOSFET $dv/dt$ ruggedness	50	V/ns
$T_j$	Operating junction temperature range	-55 to 150	$^\circ\text{C}$
$T_{stg}$	Storage temperature range		

1. Pulse width limited by safe operating area.
2.  $I_{SD} \leq 10\text{ A}$ ,  $di/dt \leq 400\text{ A}/\mu\text{s}$ ;  $V_{DS\ peak} < V_{(BR)DSS}$ ;  $V_{DD} = 400\text{ V}$ .
3.  $V_{DS} \leq 400\text{ V}$ .

**Table 2. Thermal data**

Symbol	Parameter	Value	Unit
$R_{thJC}$	Thermal resistance, junction-to-case	1.47	$^\circ\text{C}/\text{W}$
$R_{thJA}^{(1)}$	Thermal resistance, junction-to-ambient	50	$^\circ\text{C}/\text{W}$

1. When mounted on 1 inch<sup>2</sup> FR-4, 2 Oz copper board.

**Table 3. Avalanche characteristics**

Symbol	Parameter	Value	Unit
$I_{AR}$	Avalanche current, repetitive or not-repetitive (pulse width limited by $T_j\text{ Max}$ )	3.5	A
$E_{AS}$	Single pulse avalanche energy (starting $T_j = 25\text{ }^\circ\text{C}$ , $I_D = I_{AR}$ , $V_{DD} = 50\text{ V}$ )	204	mJ

## 2 Electrical characteristics

( $T_C = 25\text{ °C}$  unless otherwise specified).

**Table 4. Static**

Symbol	Parameter	Test conditions	Min.	Typ.	Max.	Unit
$V_{(BR)DSS}$	Drain-source breakdown voltage	$I_D = 1\text{ mA}$ , $V_{GS} = 0\text{ V}$	500			V
$I_{DSS}$	Zero gate voltage drain current	$V_{DS} = 500\text{ V}$ , $V_{GS} = 0\text{ V}$			1	$\mu\text{A}$
		$V_{DS} = 500\text{ V}$ , $V_{GS} = 0\text{ V}$ , $T_C = 125\text{ °C}$ <sup>(1)</sup>			100	$\mu\text{A}$
$I_{GSS}$	Gate body leakage current	$V_{DS} = 0\text{ V}$ , $V_{GS} = \pm 25\text{ V}$			$\pm 10$	$\mu\text{A}$
$V_{GS(th)}$	Gate threshold voltage	$V_{DS} = V_{GS}$ , $I_D = 250\text{ }\mu\text{A}$	2	3	4	V
$R_{DS(on)}$	Static drain-source on resistance	$V_{GS} = 10\text{ V}$ , $I_D = 5\text{ A}$		0.325	0.38	$\Omega$

1. Specified by design, not tested in production.

**Table 5. Dynamic**

Symbol	Parameter	Test conditions	Min.	Typ.	Max.	Unit
$C_{ISS}$	Input capacitance	$V_{DS} = 100\text{ V}$ , $f = 1\text{ MHz}$ , $V_{GS} = 0\text{ V}$	-	550	-	$\mu\text{F}$
$C_{OSS}$	Output capacitance			33		
$C_{RSS}$	Reverse transfer capacitance			1		
$C_{OSS\text{ eq.}}^{(1)}$	Equivalent output capacitance	$V_{GS} = 0\text{ V}$ , $V_{DS} = 0\text{ to }400\text{ V}$	-	125	-	$\mu\text{F}$
$R_g$	Gate input resistance	$f = 1\text{ MHz}$ open drain	-	6.8	-	$\Omega$
$Q_g$	Total gate charge	$V_{DD} = 400\text{ V}$ , $I_D = 10\text{ A}$ , $V_{GS} = 0\text{ to }10\text{ V}$ (see Figure 14. Test circuit for gate charge behavior)	-	15	-	nC
$Q_{gs}$	Gate-source charge			3		
$Q_{gd}$	Gate-drain charge			8.3		

1.  $C_{OSS\text{ eq.}}$  is defined as a constant equivalent capacitance giving the same charging time as  $C_{OSS}$  when  $V_{DS}$  increases from 0 to 80%  $V_{DSS}$ .

**Table 6. Switching times**

Symbol	Parameter	Test conditions	Min.	Typ.	Max.	Unit
$t_{d(on)}$	Turn-on delay time	$V_{DD} = 250\text{ V}$ , $I_D = 5\text{ A}$ , $R_G = 4.7\text{ }\Omega$ , $V_{GS} = 10\text{ V}$ (see Figure 13. Test circuit for resistive load switching times and Figure 18. Switching time waveform)	-	13.5	-	ns
$t_r$	Rise time			10.5		
$t_{d(off)}$	Turn-off delay time			8		
$t_f$	Fall time			34.5		

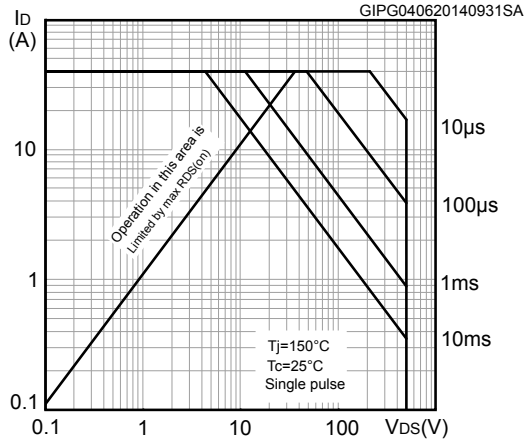
**Table 7. Source drain diode**

Symbol	Parameter	Test conditions	Min.	Typ.	Max.	Unit	
$I_{SD}$	Source-drain current		-		10	A	
$I_{SDM}^{(1)}$	Source-drain current (pulsed)				40		
$V_{SD}^{(2)}$	Forward on voltage	$I_{SD} = 10\text{ A}$ , $V_{GS} = 0\text{ V}$	-		1.6	V	
$t_{rr}$	Reverse recovery time	$I_{SD} = 10\text{ A}$ , $di/dt = 100\text{ A}/\mu\text{s}$ $V_{DD} = 60\text{ V}$ (see Figure 15. Test circuit for inductive load switching and diode recovery times)	-	276	-	ns	
$Q_{rr}$	Reverse recovery charge			2.4			A
$I_{RRM}$	Reverse recovery current			17.5			
$t_{rr}$	Reverse recovery time	$I_{SD} = 10\text{ A}$ , $di/dt = 100\text{ A}/\mu\text{s}$ $V_{DD} = 60\text{ V}$ , $T_j = 150\text{ }^\circ\text{C}$ (see Figure 15. Test circuit for inductive load switching and diode recovery times)	-	376	-	ns	
$Q_{rr}$	Reverse recovery charge			3.4			A
$I_{RRM}$	Reverse recovery current			18.3			

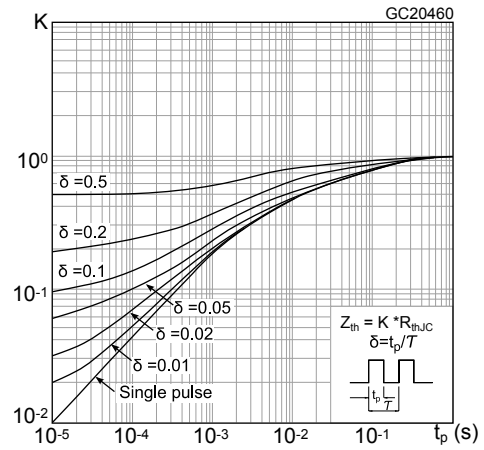
1. Pulse width limited by safe operating area.
2. Pulsed: pulse duration = 300  $\mu\text{s}$ , duty cycle 1.5%.

## 2.1 Electrical characteristics curves

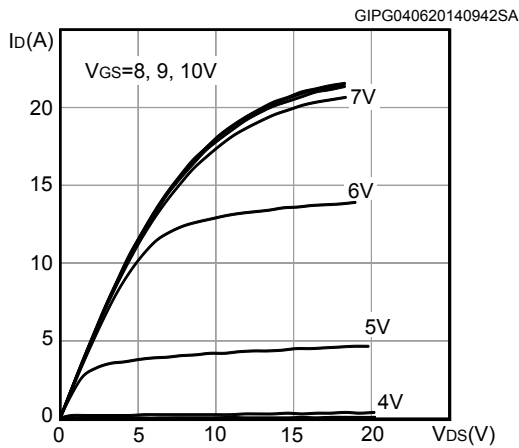
**Figure 1. Safe operating area**



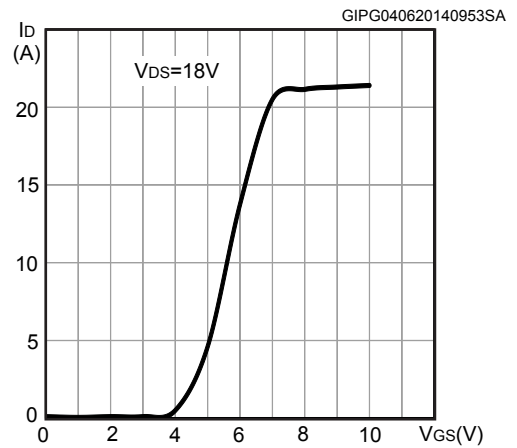
**Figure 2. Thermal impedance**



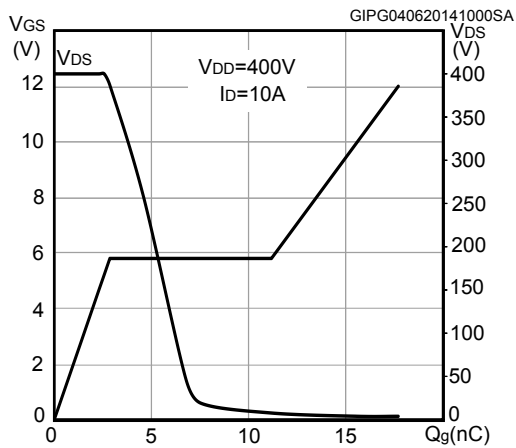
**Figure 3. Output characteristics**



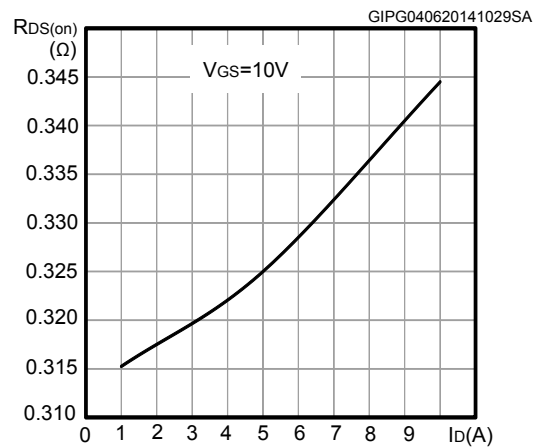
**Figure 4. Transfer characteristics**



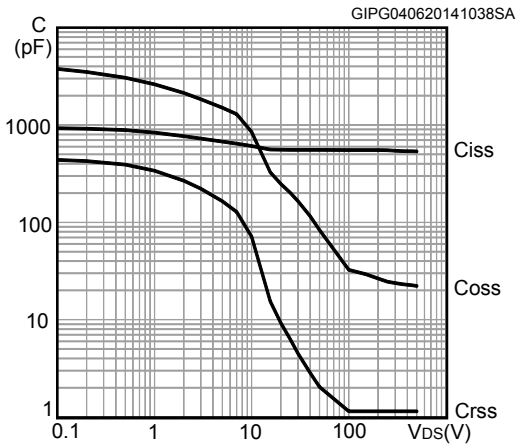
**Figure 5. Gate charge vs gate-source voltage**



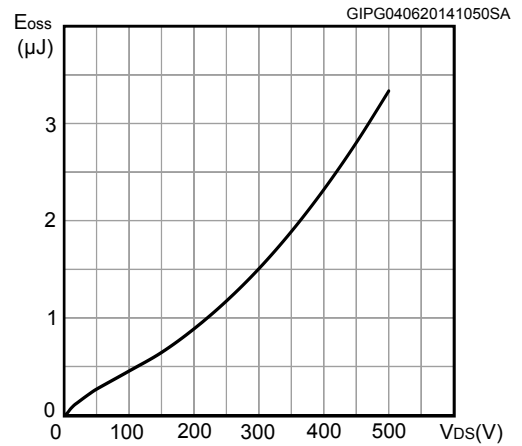
**Figure 6. Static drain-source on resistance**



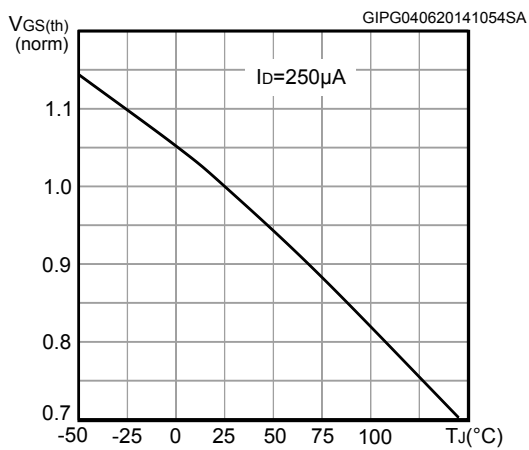
**Figure 7. Capacitance variations**



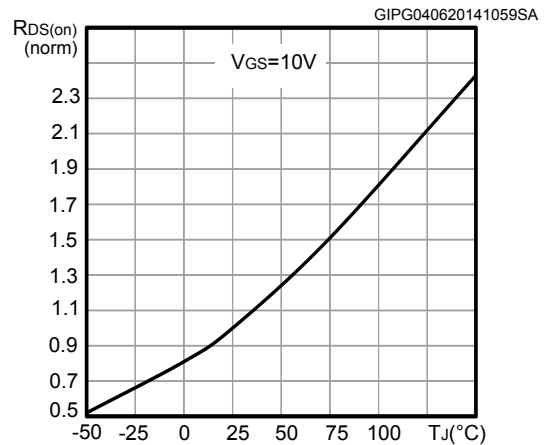
**Figure 8. Output capacitance stored energy**



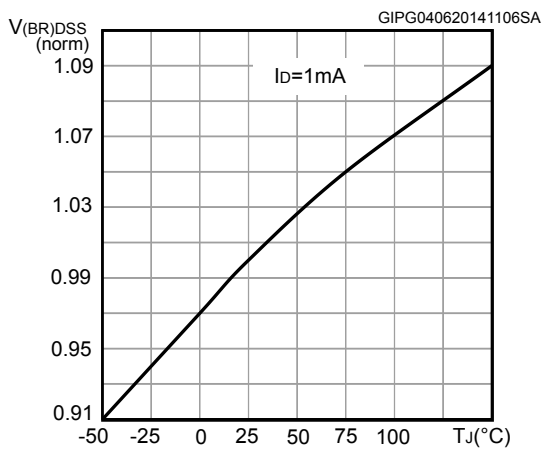
**Figure 9. Normalized gate threshold voltage vs temperature**



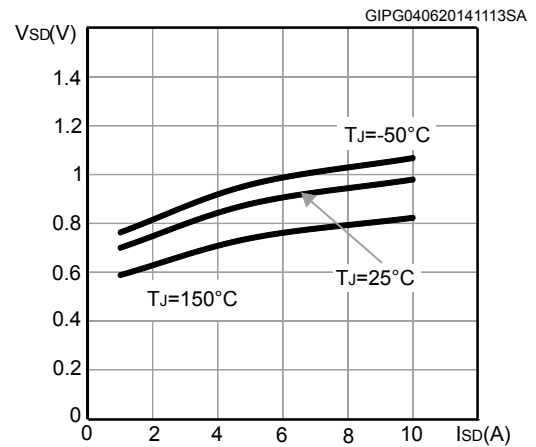
**Figure 10. Normalized on-resistance vs temperature**



**Figure 11. Normalized  $V_{(BR)DSS}$  vs temperature**



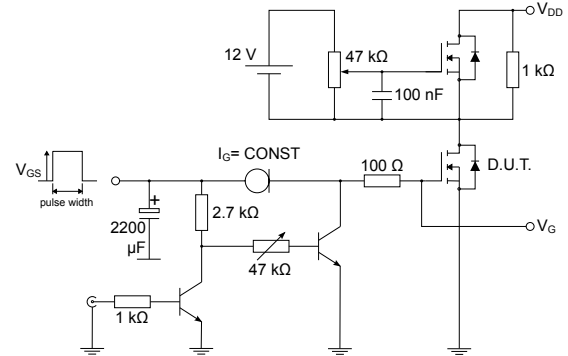
**Figure 12. Source-drain diode forward characteristics**



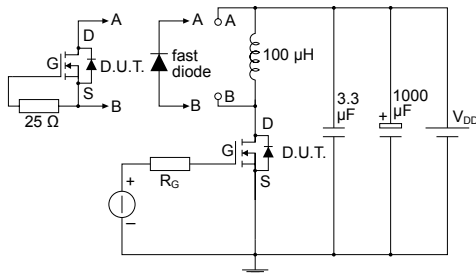
### 3 Test circuits

**Figure 13. Test circuit for resistive load switching times**

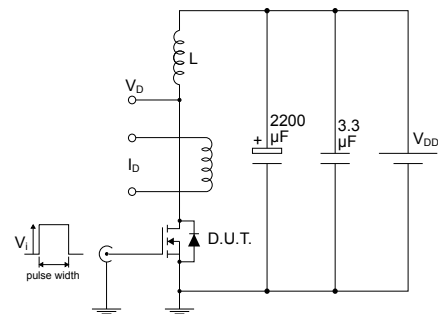

AM01468v1

**Figure 14. Test circuit for gate charge behavior**


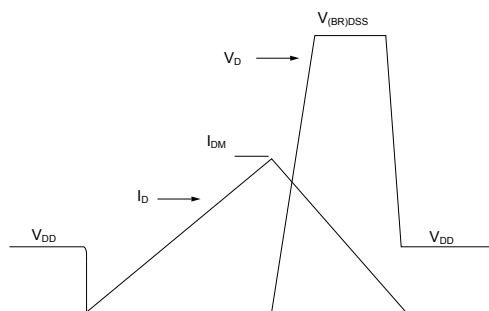
AM01469v1

**Figure 15. Test circuit for inductive load switching and diode recovery times**


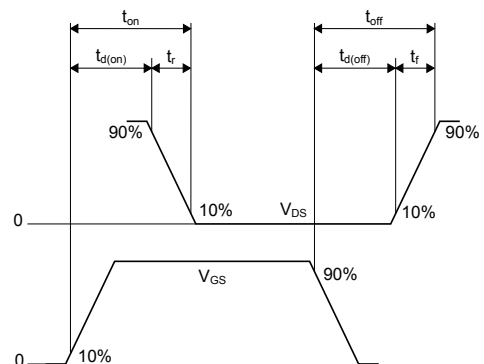
AM01470v1

**Figure 16. Unclamped inductive load test circuit**


AM01471v1

**Figure 17. Unclamped inductive waveform**


AM01472v1

**Figure 18. Switching time waveform**


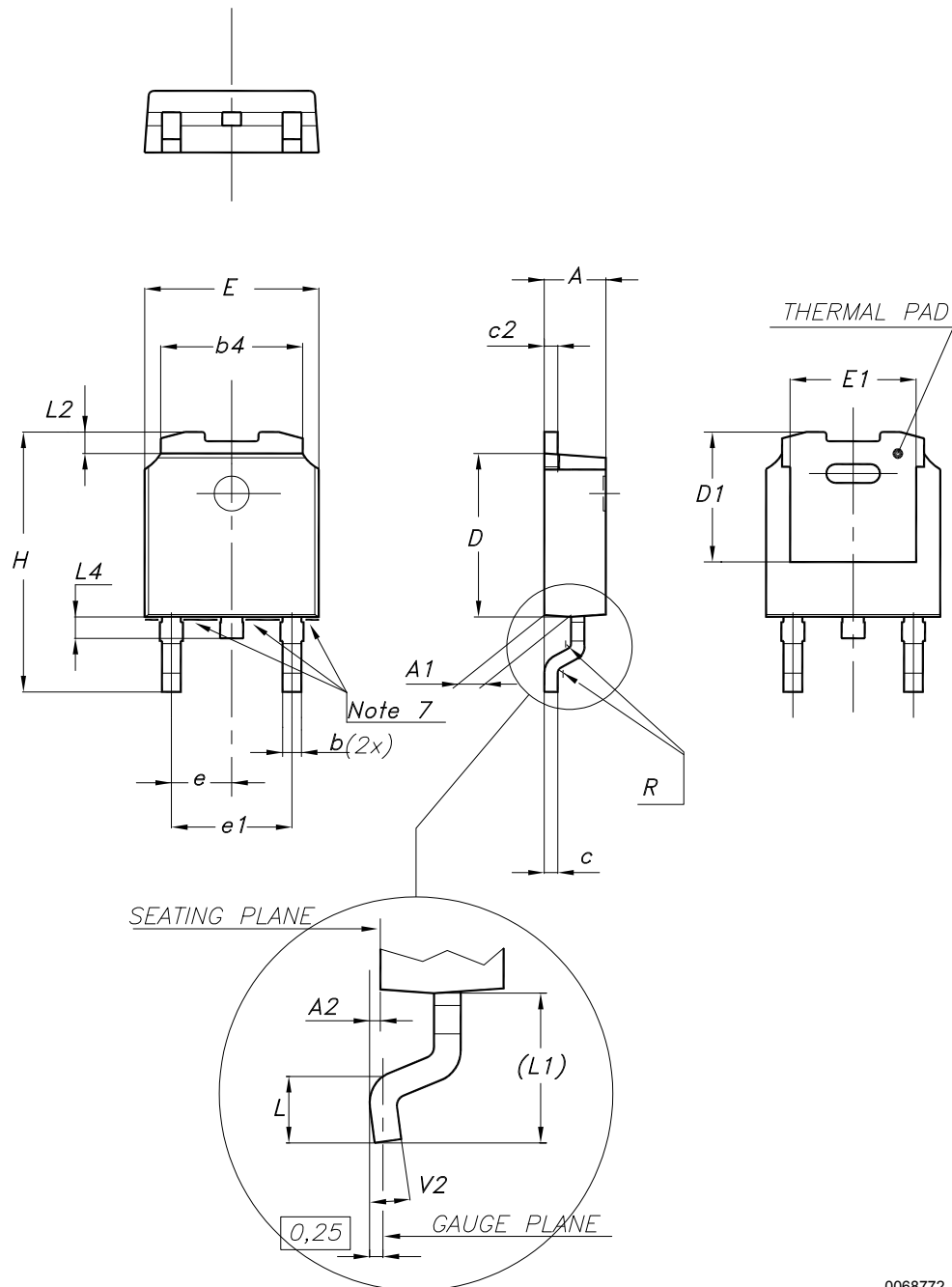
AM01473v1

## 4 Package information

In order to meet environmental requirements, ST offers these devices in different grades of **ECOPACK** packages, depending on their level of environmental compliance. ECOPACK specifications, grade definitions and product status are available at: [www.st.com](http://www.st.com). ECOPACK is an ST trademark.

### 4.1 DPAK (TO-252) type A2 package information

Figure 19. DPAK (TO-252) type A2 package outline



0068772\_type-A2\_rev34

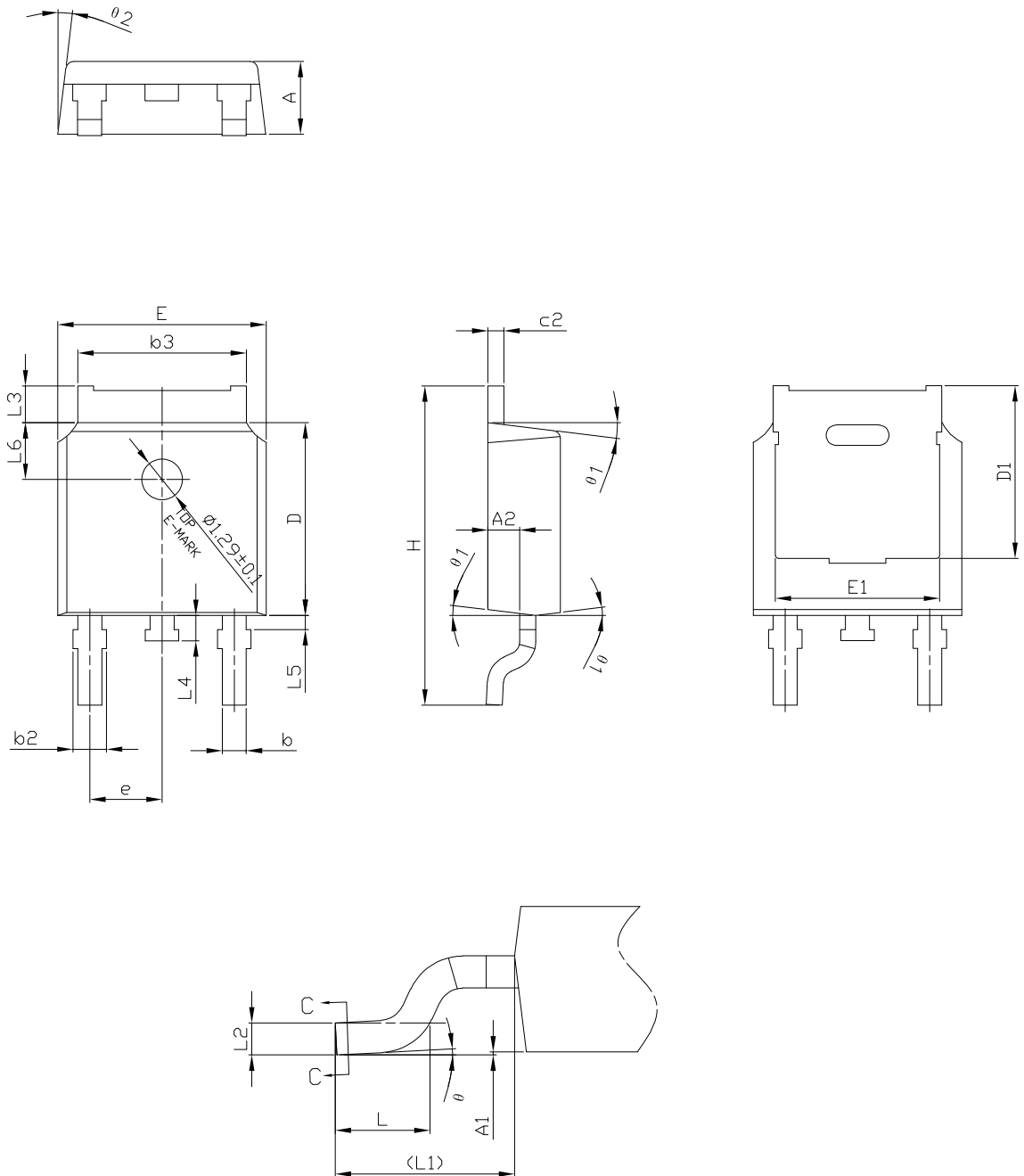


**Table 8. DPAK (TO-252) type A2 mechanical data**

Dim.	mm		
	Min.	Typ.	Max.
A	2.20		2.40
A1	0.90		1.10
A2	0.03		0.23
b	0.64		0.90
b4	5.20		5.40
c	0.45		0.60
c2	0.48		0.60
D	6.00		6.20
D1	4.95	5.10	5.25
E	6.40		6.60
E1	5.10	5.20	5.30
e	2.159	2.286	2.413
e1	4.445	4.572	4.699
H	9.35		10.10
L	1.00		1.50
L1	2.60	2.80	3.00
L2	0.65	0.80	0.95
L4	0.60		1.00
R		0.20	
V2	0°		8°

## 4.2 DPAK (TO-252) type C3 package information

Figure 20. DPAK (TO-252) type C3 package outline

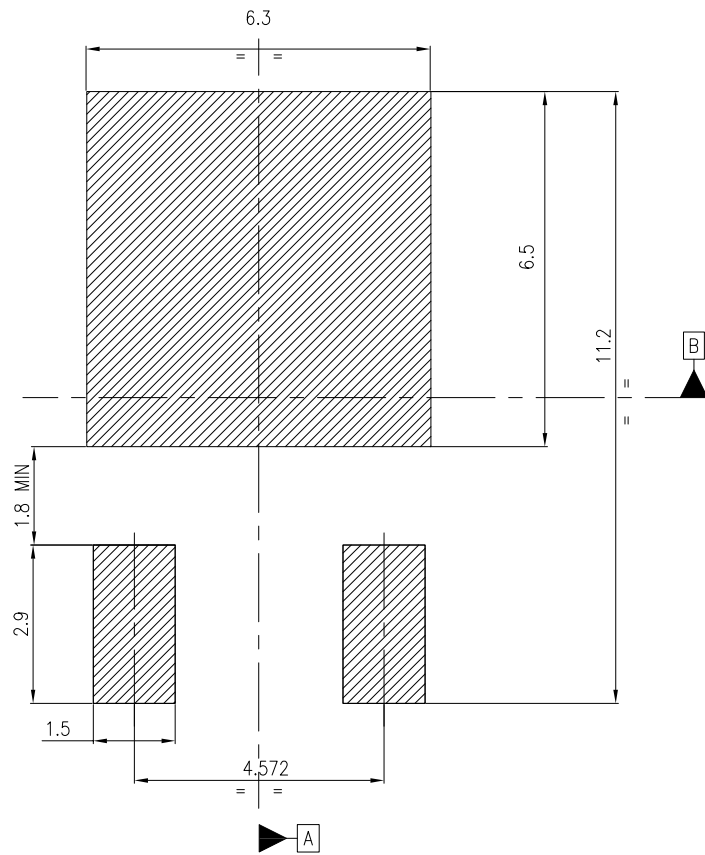


0068772\_type-C3\_rev34

**Table 9. DPAK (TO-252) type C3 mechanical data**

Dim.	mm		
	Min.	Typ.	Max.
A	2.20	2.30	2.38
A1	0.00		0.10
A2	0.90	1.01	1.10
b	0.72		0.85
b2	0.72		1.10
b3	5.13	5.33	5.46
c	0.47		0.60
c2	0.47		0.60
D	6.00	6.10	6.20
D1	5.20	5.45	5.70
E	6.50	6.60	6.70
E1	5.00	5.20	5.40
e	2.186	2.286	2.386
H	9.80	10.10	10.40
L	1.40	1.50	1.70
L1	2.90 REF		
L2	0.51 BSC		
L3	0.90		1.25
L4	0.60	0.80	1.00
L5	0.15		0.75
L6	1.80 REF		
θ	0°		8°
θ1	5°	7°	9°
θ2	5°	7°	9°

Figure 21. DPAK (TO-252) recommended footprint (dimensions are in mm)



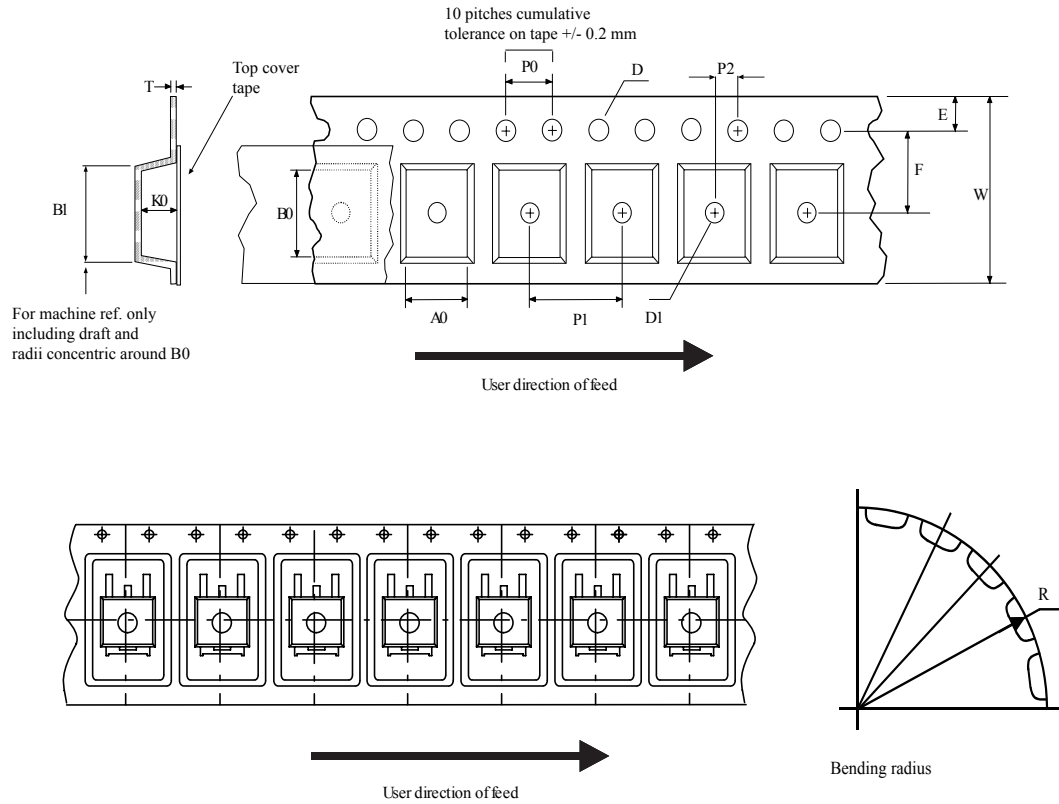
Notes:

- 1) This footprint is able to ensure insulation up to 630 Vrms (according to CEI IEC 664-1)
- 2) The device must be positioned within  $\boxed{\oplus 0.05 \text{ A B}}$

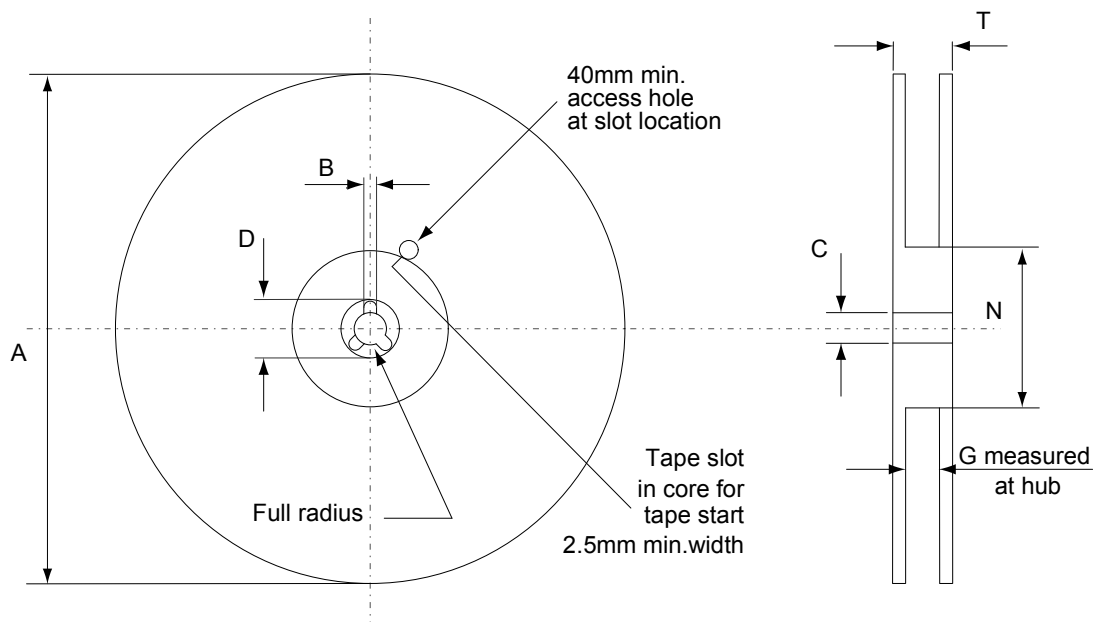
FP\_0068772\_34

### 4.3 DPAK (TO-252) packing information

Figure 22. DPAK (TO-252) tape outline



AM08852v1

**Figure 23. DPAK (TO-252) reel outline**


AM06038v1

**Table 10. DPAK (TO-252) tape and reel mechanical data**

Dim.	Tape		Dim.	Reel	
	mm			mm	
	Min.	Max.		Min.	Max.
A0	6.8	7	A		330
B0	10.4	10.6	B	1.5	
B1		12.1	C	12.8	13.2
D	1.5	1.6	D	20.2	
D1	1.5		G	16.4	18.4
E	1.65	1.85	N	50	
F	7.4	7.6	T		22.4
K0	2.55	2.75			
P0	3.9	4.1	Base qty.		2500
P1	7.9	8.1	Bulk qty.		2500
P2	1.9	2.1			
R	40				
T	0.25	0.35			
W	15.7	16.3			

## Revision history

**Table 11. Document revision history**

Date	Version	Changes
12-Mar-2014	1	First release.
17-Jun-2014	2	<ul style="list-style-type: none"> <li>– Modified: title</li> <li>– Modified: dv/dt values</li> <li>– Modified: values in Table 4</li> <li>– Modified: the entire typical values in Table 5, 6, 7 and 8</li> <li>– Added: Section 2.1: <i>Electrical characteristics (curves)</i></li> <li>– Updated: Section 4: <i>Package mechanical data</i></li> <li>– Minor text changes</li> </ul>
12-Nov-2014	3	<ul style="list-style-type: none"> <li>– Document status promoted from preliminary to production data.</li> <li>– Updated title, features and description in cover page.</li> </ul>
09-Dec-2014	4	<ul style="list-style-type: none"> <li>– Updated <math>V_{GS}</math> in Table 2: <i>Absolute maximum ratings</i>.</li> <li>– Updated Section 4: <i>Package mechanical data</i>.</li> </ul>
02-May-2018	5	<p>Removed maturity status indication from cover page. The document status is production data.</p> <p>Updated Section 2 <i>Electrical characteristics</i> and Section 4 <i>Package information</i>.</p> <p>Minor text changes.</p>
09-May-2023	6	<p>Updated Section 4.1 DPAK (TO-252) type A2 package information.</p> <p>Added Section 4.2 DPAK (TO-252) type C3 package information.</p> <p>Minor text changes.</p>

---

## Contents

<b>1</b>	<b>Electrical ratings</b> .....	<b>2</b>
<b>2</b>	<b>Electrical characteristics</b> .....	<b>3</b>
<b>2.1</b>	Electrical characteristics curves .....	<b>5</b>
<b>3</b>	<b>Test circuits</b> .....	<b>7</b>
<b>4</b>	<b>Package information</b> .....	<b>8</b>
<b>4.1</b>	DPAK (TO-252) type A2 package information .....	<b>8</b>
<b>4.2</b>	DPAK (TO-252) type C3 package information .....	<b>10</b>
<b>4.3</b>	DPAK (TO-252) packing information .....	<b>13</b>
	<b>Revision history</b> .....	<b>15</b>



**IMPORTANT NOTICE – READ CAREFULLY**

STMicroelectronics NV and its subsidiaries (“ST”) reserve the right to make changes, corrections, enhancements, modifications, and improvements to ST products and/or to this document at any time without notice. Purchasers should obtain the latest relevant information on ST products before placing orders. ST products are sold pursuant to ST’s terms and conditions of sale in place at the time of order acknowledgment.

Purchasers are solely responsible for the choice, selection, and use of ST products and ST assumes no liability for application assistance or the design of purchasers’ products.

No license, express or implied, to any intellectual property right is granted by ST herein.

Resale of ST products with provisions different from the information set forth herein shall void any warranty granted by ST for such product.

ST and the ST logo are trademarks of ST. For additional information about ST trademarks, refer to [www.st.com/trademarks](http://www.st.com/trademarks). All other product or service names are the property of their respective owners.

Information in this document supersedes and replaces information previously supplied in any prior versions of this document.

© 2023 STMicroelectronics – All rights reserved