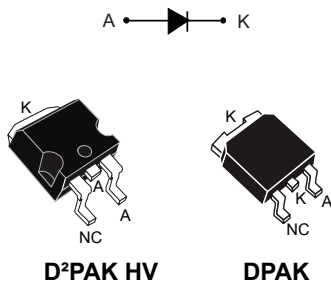



Automotive 650 V, 8 A high surge silicon carbide power Schottky diode



Features

- AEC-Q101 qualified 
- No reverse recovery charge in application current range
- Switching behavior independent of temperature
- Recommended to PFC applications
- PPAP capable
- V_{RRM} guaranteed from -40 to 175 °C
- D²PAK HV creepage distance (anode to cathode) = 5.38 mm min. (with top coating)
- ECOPACK^{®2} compliant component

Applications

- On board charger

Description

The SiC diode is an ultra-high performance power Schottky diode. It is manufactured using a silicon carbide substrate. The wide band gap material allows the design of a Schottky diode structure with a 650 V rating. Due to the Schottky construction, no recovery is shown at turn-off and ringing patterns are negligible. The minimal capacitive turn-off behavior is independent of temperature.

Especially suited for use in PFC applications, the STPSC8H065-Y SiC diode will boost performance in hard switching conditions.

Product label



Product status

STPSC8H065-Y

Product summary

Symbol	Value
$I_{F(AV)}$	8 A
V_{RRM}	650 V
$T_{j(max.)}$	175 °C

1 Characteristics

Table 1. Absolute ratings (limiting values at 25 °C unless otherwise specified)

Symbol	Parameter		Value	Unit
V_{RRM}	Repetitive peak reverse voltage	$T_j = -40\text{ °C to } +175\text{ °C}$	650	V
$I_{F(RMS)}$	Forward rms current		22	A
$I_{F(AV)}$	Average forward current	$T_c = 145\text{ °C}^{(1)}$, DC	8	A
I_{FSM}	Surge non repetitive forward current	$t_p = 10\text{ ms sinusoidal}$, $T_c = 25\text{ °C}$	75	A
		$t_p = 10\text{ ms sinusoidal}$, $T_c = 125\text{ °C}$	69	
		$t_p = 10\text{ }\mu\text{s square}$, $T_c = 25\text{ °C}$	420	
I_{FRM}	Repetitive peak forward current	$T_c = 145\text{ °C}^{(1)}$, $T_j = 175\text{ °C}$, $\delta = 0.1$	33	A
T_{stg}	Storage temperature range		-55 to +175	°C
T_j	Operating junction temperature range		-40 to +175	°C

1. Value based on $R_{th(j-c)}$ max.

Table 2. Thermal resistance parameters

Symbol	Parameter	Typ. value	Max. value	Unit
$R_{th(j-c)}$	Junction to case	1.3	1.6	°C/W

Table 3. Static electrical characteristics

Symbol	Parameter	Test conditions			Min.	Typ.	Max.	Unit
		T_j	V_R	I_F				
$I_R^{(1)}$	Reverse leakage current	$T_j = 25\text{ °C}$	$V_R = V_{RRM}$		-	7	80	μA
		$T_j = 150\text{ °C}$			-	65	335	
$V_F^{(2)}$	Forward voltage drop	$T_j = 25\text{ °C}$	$I_F = 8\text{ A}$		-	1.45	1.65	V
		$T_j = 150\text{ °C}$			-	1.7	2.05	

1. $t_p = 10\text{ ms}$, $\delta < 2\%$

2. $t_p = 500\text{ }\mu\text{s}$, $\delta < 2\%$

To evaluate the conduction losses, use the following equation:

$$P = 0.972 \times I_{F(AV)} + 0.135 \times I_{F(RMS)}^2$$

Table 4. Dynamic electrical characteristics

Symbol	Parameter	Test conditions	Typ.	Unit
$Q_{cj}^{(1)}$	Total capacitive charge	$V_R = 400\text{ V}$	23.5	nC
C_j	Total capacitance	$V_R = 0\text{ V}$, $T_c = 25\text{ °C}$, $F = 1\text{ MHz}$	414	pF
		$V_R = 400\text{ V}$, $T_c = 25\text{ °C}$, $F = 1\text{ MHz}$	38	

1. Most accurate value for the capacitive charge: $Q_{cj}(V_R) = \int_0^{V_R} C_j(V) dV$

1.1 Characteristics (curves)

Figure 1. Forward voltage drop versus forward current (typical values, low level)

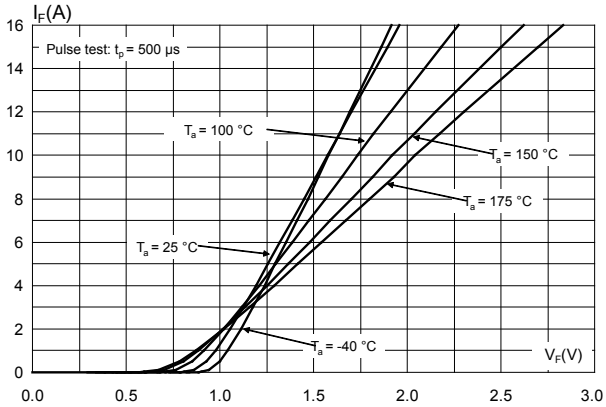


Figure 2. Forward voltage drop versus forward current (typical values, high level)

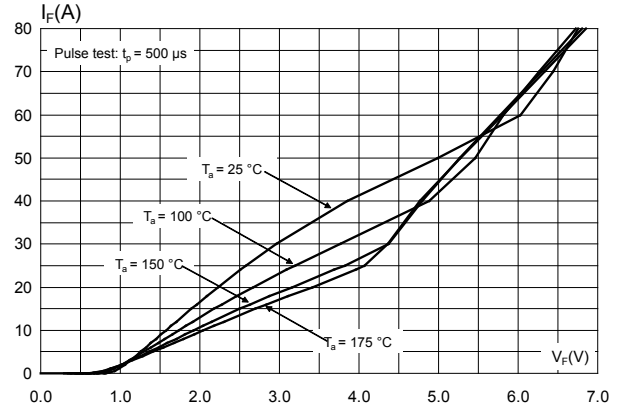


Figure 3. Reverse leakage current versus reverse voltage applied (typical values)

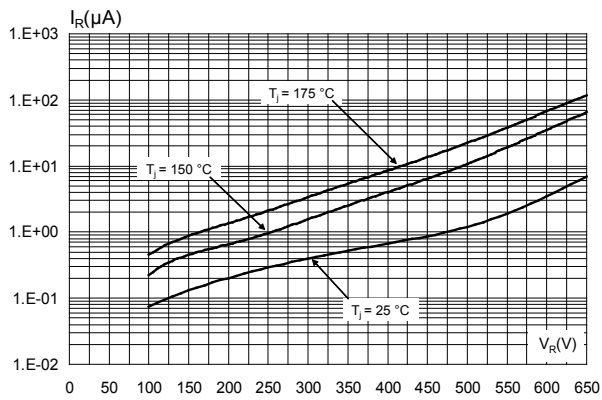


Figure 4. Peak forward current versus case temperature

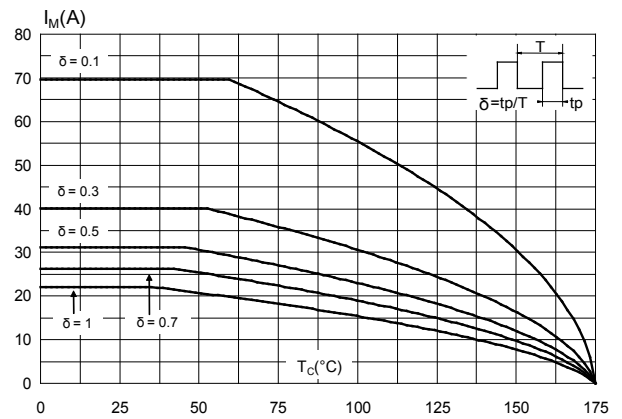


Figure 5. Junction capacitance versus reverse voltage applied (typical values)

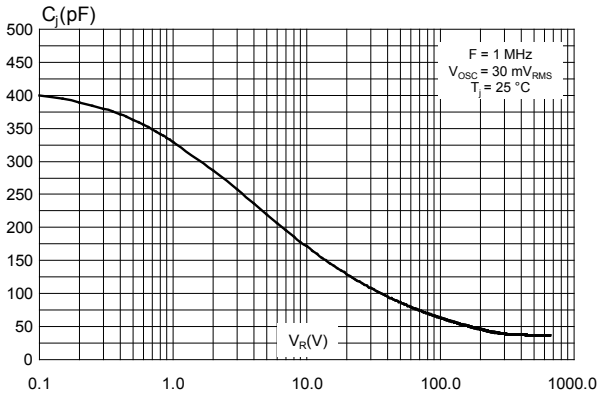


Figure 6. Relative variation of thermal impedance junction to case versus pulse duration

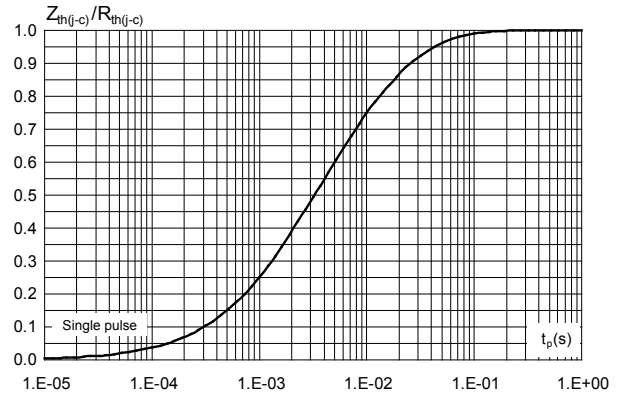


Figure 7. Non-repetitive peak surge forward current versus pulse duration (sinusoidal waveform)

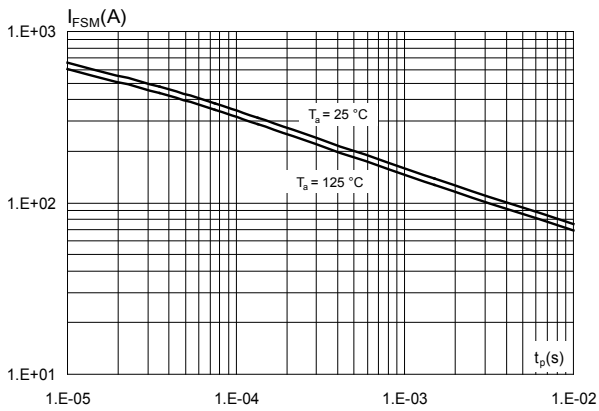


Figure 8. Total capacitive charges versus reverse voltage applied (typical values)

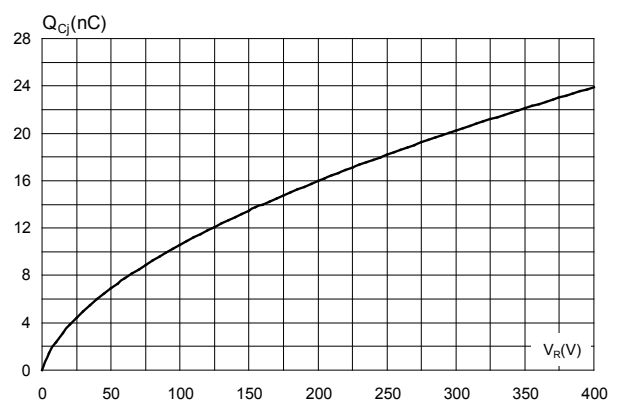
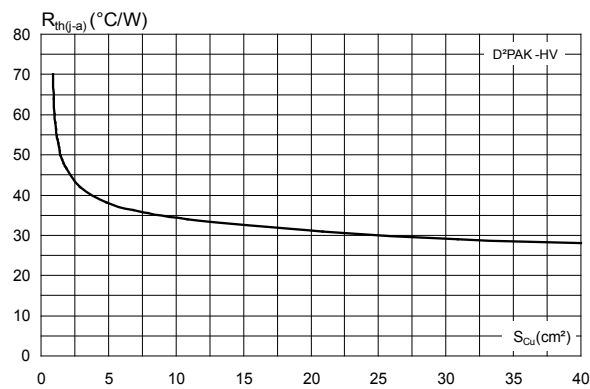


Figure 9. Thermal resistance junction to ambient versus copper surface under tab (typical values, epoxy printed board FR4, eCu = 35 µm) (D²PAK-HV)



2 Package information

In order to meet environmental requirements, ST offers these devices in different grades of ECOPACK® packages, depending on their level of environmental compliance. ECOPACK® specifications, grade definitions and product status are available at: www.st.com. ECOPACK® is an ST trademark.

2.1 DPAK package information

- Epoxy meets UL94, V0
- Lead-free packages

Figure 10. DPAK package outline

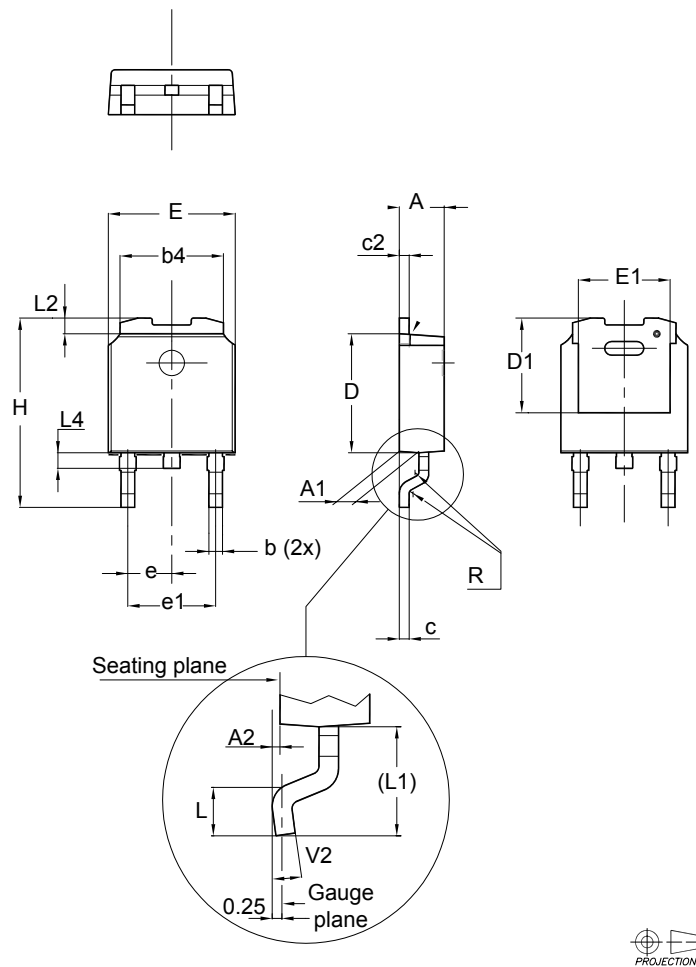
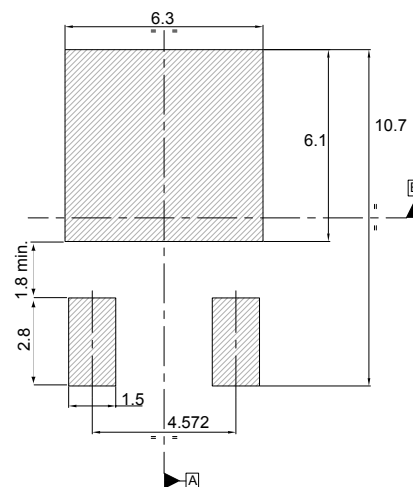


Table 5. DPAK mechanical data

Dim.	Dimensions					
	Millimeters			Inches ⁽¹⁾		
	Min.	Typ.	Max.	Min.	Typ.	Max.
A	2.20		2.40	0.087		0.094
A1	0.90		1.10	0.035		0.043
A2	0.03		0.23	0.001		0.009
b	0.64		0.90	0.025		0.035
b4	5.20		5.40	0.205		0.213
c	0.45		0.60	0.018		0.024
c2	0.48		0.60	0.019		0.024
D	6.00		6.20	0.236		0.244
D1	4.95	5.10	5.25	0.195	0.201	0.207
E	6.40		6.60	0.252		0.260
E1	4.60	4.70	4.80	0.181	0.185	0.189
e	2.159	2.286	2.413	0.085	0.090	0.095
e1	4.445	4.572	4.699	0.175	0.180	0.185
H	9.35		10.10	0.368		0.398
L	1.00		1.50	0.039		0.059
(L1)	2.60	2.80	3.00	0.102	0.110	0.118
L2	0.65	0.80	0.95	0.026	0.031	0.037
L4	0.60		1.00	0.024		0.039
R		0.20			0.008	
V2	0°		8°	0°		8°

1. Inches dimensions given for reference only

Figure 11. DPAK recommended footprint (dimensions are in mm)



The device must be positioned within $\oplus 0.05 \text{ A B}$

2.2 D²PAK HV package information

Figure 12. D²PAK high voltage package outline

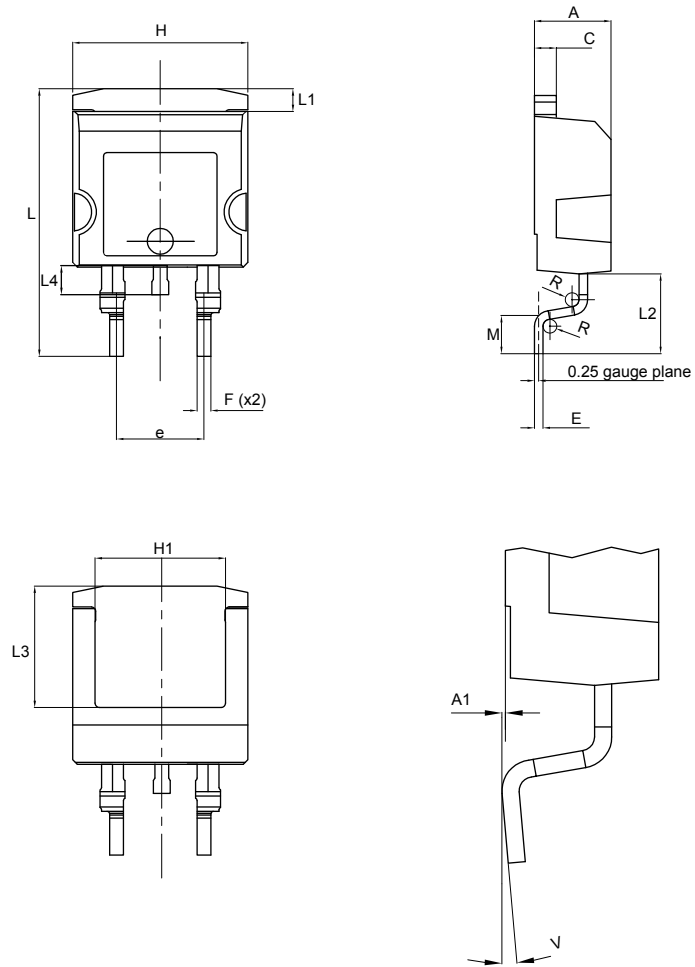
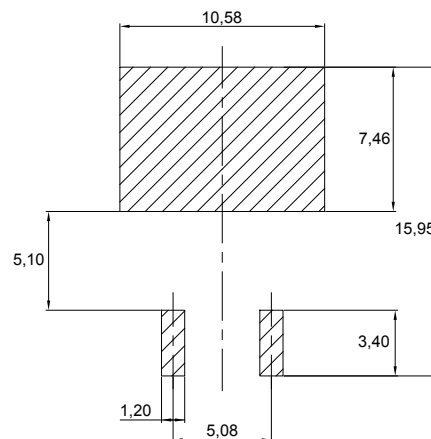


Table 6. D²PAK high voltage package mechanical data

Ref.	Dimensions		
	Min.	Typ.	Max.
A	4.30		4.70
A1	0.03		0.20
C	1.17		1.37
e	4.98		5.18
E	0.50		0.90
F	0.78		0.85
H	10.00		10.40
H1	7.40		7.80
L	15.30		15.80
L1	1.27		1.40
L2	4.93		5.23
L3	6.85		7.25
L4	1.5		1.7
M	2.6		2.9
R	0.20		0.60
V	0°		8°

Figure 13. D²PAK High Voltage footprint in mm



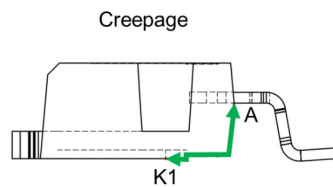
2.2.1 Creepage distance between anode and cathode

Table 7. Creepage distance between anode and cathode

Symbol	Parameter		Value	Unit
Cd _{A-K1}	Minimum creepage distance between A and K1 (with top coating)	D ² PAK HV	5.38	mm
Cd _{A-K2}	Minimum creepage distance between A and K2 (without top coating)		3.48	

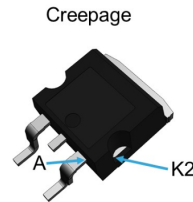
Note: D²PAK HV creepage distance (anode to cathode) = 5.38 mm min. (refer to IEC 60664-1)

Figure 14. Creepage with top coating



Minimum distance between A & K1 = 5.38 mm (with top coating)

Figure 15. Creepage without top coating



Minimum distance between A & K2 = 3.48 mm (without top coating)

3 Ordering Information

Table 8. Ordering information

Order code	Marking	Package	Weight	Base qty.	Delivery mode
STPSC8H065BY-TR	PSC8H 065BY	DPAK	0.32 g	2500	Tape and reel
STPSC8H065G2Y-TR	PSC8H065G2Y	D ² PAK HV	1.48 g	1000	Tape and reel

Revision history

Table 9. Document revision history

Date	Version	Changes
08-Mar-2018	1	Initial release.
11-Sep-2018	2	Added D ² PAK HV package.
06-Dec-2018	3	Updated Section 2.2.1 Creepage distance between anode and cathode . Minor text changes to improve readability. Updated title of document.

IMPORTANT NOTICE – PLEASE READ CAREFULLY

STMicroelectronics NV and its subsidiaries (“ST”) reserve the right to make changes, corrections, enhancements, modifications, and improvements to ST products and/or to this document at any time without notice. Purchasers should obtain the latest relevant information on ST products before placing orders. ST products are sold pursuant to ST’s terms and conditions of sale in place at the time of order acknowledgement.

Purchasers are solely responsible for the choice, selection, and use of ST products and ST assumes no liability for application assistance or the design of Purchasers’ products.

No license, express or implied, to any intellectual property right is granted by ST herein.

Resale of ST products with provisions different from the information set forth herein shall void any warranty granted by ST for such product.

ST and the ST logo are trademarks of ST. All other product or service names are the property of their respective owners.

Information in this document supersedes and replaces information previously supplied in any prior versions of this document.

© 2018 STMicroelectronics – All rights reserved