

INA1x8 High-Side Measurement Current Shunt Monitor

1 Features

- Complete Unipolar High-Side Current Measurement Circuit
- Wide Supply and Common-Mode Range
- INA138: 2.7 V to 36 V
- INA168: 2.7 V to 60 V
- Independent Supply and Input Common-Mode Voltages
- Single Resistor Gain Set
- Low Quiescent Current (25 μ A Typical)
- Wide Temperature Range: -40°C to $+125^{\circ}\text{C}$
- 5-Pin SOT-23 Package

2 Applications

- Current Shunt Measurement:
 - Telephone, Computers
- Portable and Battery-Backup Systems
- Battery Chargers
- Power Management
- Cell Phones
- Precision Current Source

3 Description

The INA138 and INA168 (INA1x8) are high-side, unipolar, current shunt monitors. Wide input common-mode voltage range, low quiescent current, and tiny SOT-23 packaging enable use in a variety of applications.

Input common-mode and power-supply voltages are independent and can range from 2.7 V to 36 V for the INA138 and 2.7 V to 60 V for the INA168. Quiescent current is only 25 μ A, which permits connecting the power supply to either side of the current measurement shunt with minimal error.

The device converts a differential input voltage to a current output. This current is converted back to a voltage with an external load resistor that sets any gain from 1 to over 100. Although designed for current shunt measurement, the circuit invites creative applications in measurement and level shifting.

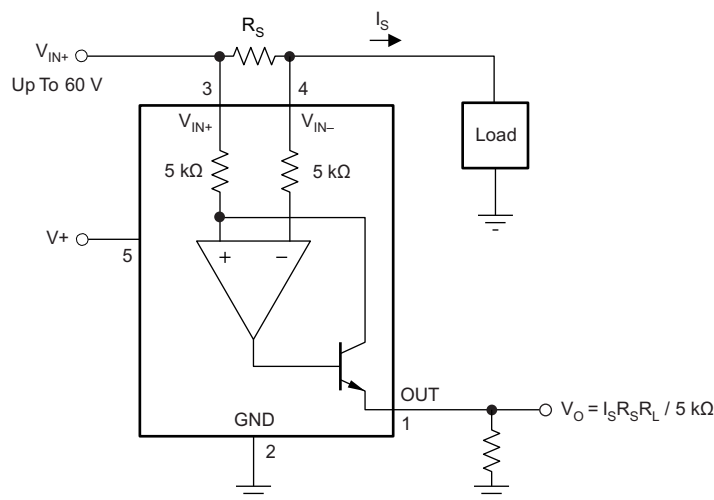
Both the INA138 and INA168 are available in SOT23-5 and are specified for the -40°C to 125°C temperature range.

Device Information⁽¹⁾

PART NUMBER	PACKAGE	BODY SIZE (NOM)
INA138	SOT-23 (5)	2.90 mm x 1.60 mm
INA168		

(1) For all available packages, see the package option addendum at the end of the datasheet.

Typical Application Circuit



Copyright © 1999, Texas Instruments Incorporated



Table of Contents

1 Features	1	8 Application and Implementation	10
2 Applications	1	8.1 Application Information.....	10
3 Description	1	8.2 Typical Applications	11
4 Revision History	2	9 Power Supply Recommendations	18
5 Pin Configuration and Functions	3	10 Layout	18
6 Specifications	4	10.1 Layout Guidelines	18
6.1 Absolute Maximum Ratings	4	10.2 Layout Example	18
6.2 ESD Ratings	4	11 Device and Documentation Support	19
6.3 Recommended Operating Conditions.....	4	11.1 Documentation Support	19
6.4 Thermal Information	5	11.2 Related Links	19
6.5 Electrical Characteristics.....	5	11.3 Receiving Notification of Documentation Updates	19
6.6 Typical Characteristics.....	6	11.4 Community Resources.....	19
7 Detailed Description	8	11.5 Trademarks	19
7.1 Overview	8	11.6 Electrostatic Discharge Caution.....	19
7.2 Functional Block Diagram	8	11.7 Glossary	19
7.3 Feature Description.....	9	12 Mechanical, Packaging, and Orderable Information	20
7.4 Device Functional Modes.....	9		

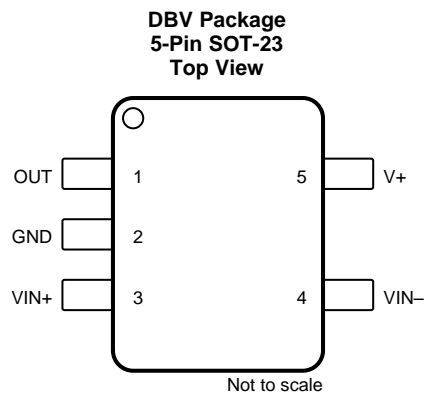
4 Revision History

NOTE: Page numbers for previous revisions may differ from page numbers in the current version.

Changes from Revision D (December 2014) to Revision E	Page
• Added reference design link to navigation bar at the top of the front page	1
• Changed body size from 18.00 mm × 18.00 mm to 2.90 mm × 1.60 mm in Device Information table.....	1
• Changed pin numbers in pin functions table to match pin configuration figure.....	3
• Changed <i>Absolute Maximum Ratings</i> table for clarity; no values were changed	4
• Changed <i>Recommended Operating Conditions</i> table; moved some content from <i>Electrical Characteristics</i> table, but no values changed	4
• Changed all values in Thermal Information table.....	5
• Changed <i>Electrical Characteristics</i> table; reformatted for clarity; moved some content to <i>Recommended Operating Conditions</i> table, and deleted duplicate content.....	5
• Changed common-mode rejection test conditions to better highlight each device in <i>Electrical Characteristics</i> table	5
• Changed offset voltage vs temperature to offset voltage drift in <i>Electrical Characteristics</i> table.....	5
• Changed offset voltage vs power supply test conditions to better highlight each device in <i>Electrical Characteristics</i> table .	5
• Changed reference in text from Figure 10 to Figure 11 in last paragraph of <i>Selecting the Shunt Resistor and R_L</i> section	12

Changes from Revision C (November 2005) to Revision D	Page
• Added <i>ESD Ratings</i> table, <i>Feature Description</i> section, <i>Device Functional Modes</i> , <i>Application and Implementation</i> section, <i>Power Supply Recommendations</i> section, <i>Layout</i> section, <i>Device and Documentation Support</i> section, and <i>Mechanical, Packaging, and Orderable Information</i> section.	1

5 Pin Configuration and Functions



Pin Functions

PIN		I/O	DESCRIPTION
NO.	NAME		
1	OUT	O	Output current
2	GND	—	Ground
3	VIN+	I	Positive input voltage
4	VIN-	I	Negative input voltage
5	V+	I	Power supply voltage

6 Specifications

6.1 Absolute Maximum Ratings

 over operating free-air temperature range (unless otherwise noted) ⁽¹⁾

			MIN	MAX	UNIT	
Voltage	Supply, V ₊	INA138	-0.3	60	V	
		INA168	-0.3	75		
	Analog input, V _{IN+} , V _{IN-}	INA138	Common mode ⁽²⁾	-0.3		60
			Sense voltage, V _{SENSE} = (V _{IN+} - V _{IN-})	-40		2
		INA168	Common mode ⁽²⁾	-0.3		75
			Sense voltage, V _{SENSE} = (V _{IN+} - V _{IN-})	-40		2
Analog output, OUT pin ⁽²⁾		-0.3	40			
Current	Input current into any pin			10	mA	
Temperature	Operating, T _A		-55	150	°C	
	Junction, T _J			150		
	Storage, T _{stg}		-65	150		

- (1) Stresses beyond those listed under *Absolute Maximum Ratings* may cause permanent damage to the device. These are stress ratings only, which do not imply functional operation of the device at these or any other conditions beyond those indicated under *Recommended Operating Conditions*. Exposure to absolute-maximum-rated conditions for extended periods may affect device reliability.
- (2) The input voltage at any pin may exceed the voltage shown if the current at that pin is limited to 10 mA.

6.2 ESD Ratings

			VALUE	UNIT
V _(ESD)	Electrostatic discharge	Human-body model (HBM), per ANSI/ESDA/JEDEC JS-001 ⁽¹⁾	±1000	V
		Charged-device model (CDM), per JEDEC specification JESD22-C101 ⁽²⁾	±500	

- (1) JEDEC document JEP155 states that 500-V HBM allows safe manufacturing with a standard ESD control process.
- (2) JEDEC document JEP157 states that 250-V CDM allows safe manufacturing with a standard ESD control process.

6.3 Recommended Operating Conditions

over operating free-air temperature range (unless otherwise noted)

		MIN	NOM	MAX	UNIT
INA138					
V ₊	Supply voltage	2.7	5	36	V
V _{SENSE}	Full-scale sense voltage (V _{IN+} - V _{IN-})		100	500	mV
	Common-mode voltage	2.7	12	36	V
T _A	Operating temperature	-40	25	125	°C
INA168					
V ₊	Supply voltage	2.7	5	60	V
V _{SENSE}	Full-scale sense voltage (V _{IN+} - V _{IN-})		100	500	mV
	Common-mode voltage	2.7	12	60	V
T _A	Operating temperature	-40	25	125	°C

6.4 Thermal Information

THERMAL METRIC ⁽¹⁾		INA1x8		UNIT
		DBV		
		5 PINS		
R _{θJA}	Junction-to-ambient thermal resistance	168.3		°C/W
R _{θJC(top)}	Junction-to-case (top) thermal resistance	73.8		°C/W
R _{θJB}	Junction-to-board thermal resistance	28.1		°C/W
ψ _{JT}	Junction-to-top characterization parameter	2.5		°C/W
ψ _{JB}	Junction-to-board characterization parameter	27.6		°C/W

- (1) For more information about traditional and new thermal metrics, see the [Semiconductor and IC Package Thermal Metrics](#) application report.

6.5 Electrical Characteristics

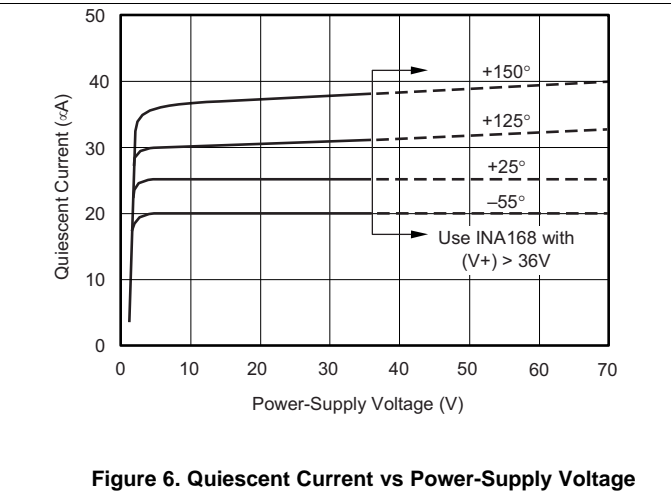
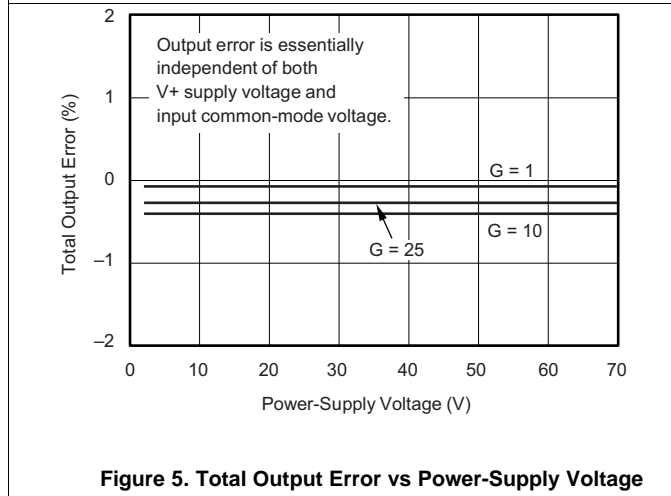
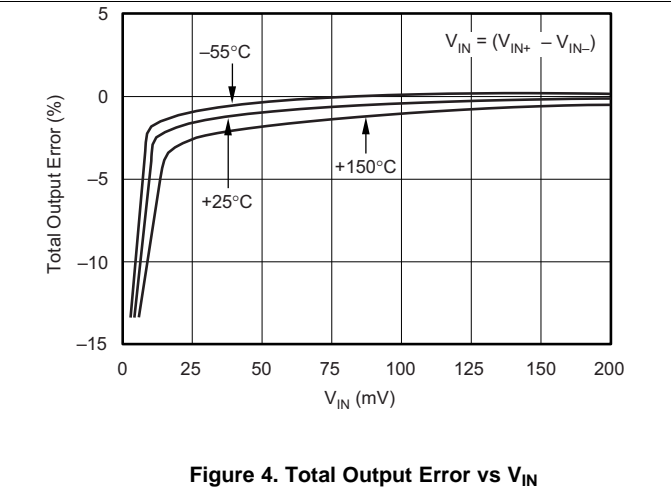
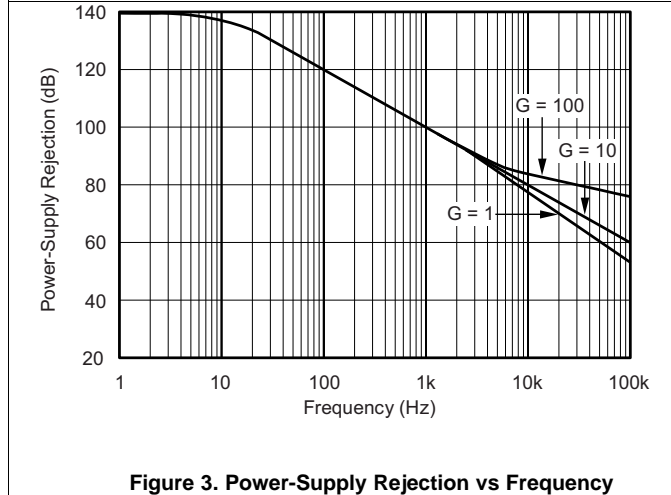
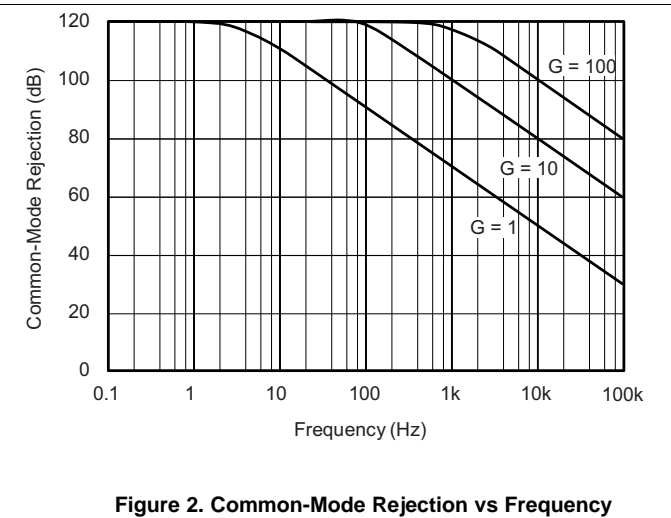
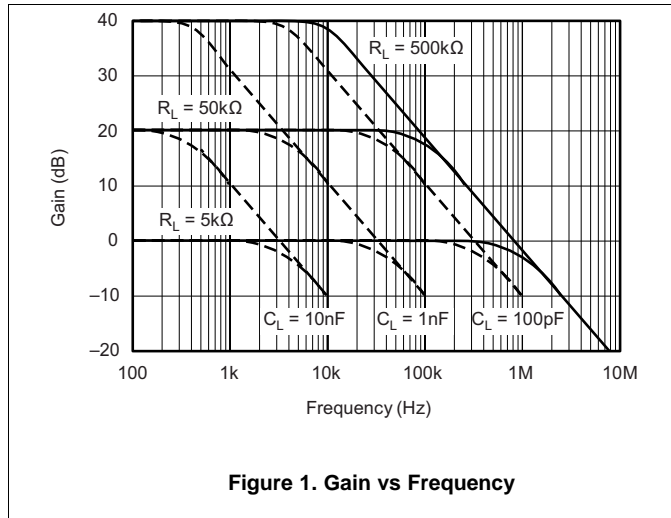
all other characteristics at T_A = +25°C, V_S = 5 V, V_{IN+} = 12 V, and R_{OUT} = 125 kΩ (unless otherwise noted)

PARAMETER	TEST CONDITIONS		INA1x8			UNIT
			MIN	TYP	MAX	
INPUT						
Common-mode rejection	V _{SENSE} = 50 mV	INA138, V _{IN+} = 2.7 V to 36 V	100	120		dB
		INA168, V _{IN+} = 2.7 V to 60 V	100	120		
Offset voltage ⁽¹⁾	T _A = 25°C			±0.2	±1	mV
	T _A = -40°C to +125°C				±2	
Offset voltage drift ⁽¹⁾	T _A = -40°C to +125°C			1		µV/°C
Offset voltage vs power supply, V+	V _{SENSE} = 50 mV	INA138, V+ = 2.7 V to 36 V		0.1	10	µV/V
		INA168, V+ = 2.7 V to 60 V		0.1	10	
Input bias current	T _A = 25°C			2		µA
	T _A = -40°C to +125°C, INA138				10	
OUTPUT						
Transconductance	V _{SENSE} = 10 mV to 150 mV, T _A = 25°C		198	200	202	µA/V
	V _{SENSE} = 100 mV, T _A = -40°C to +125°C		196		204	µA/V
Transconductance drift	T _A = -40°C to +125°C			10		nA/°C
Nonlinearity error	V _{SENSE} = 10 mV to 150 mV			±0.01%	±0.1%	
Total output error	V _{SENSE} = 100 mV	T _A = 25°C		±0.5%	±2%	
		T _A = -40°C to +125°C		±2.5%		
Output impedance				1 5		GΩ pF
Voltage output swing	To power supply voltage, V+			(V+) - 0.8	(V+) - 1.0	V
	To common-mode voltage, V _{CM}			V _{CM} - 0.5	V _{CM} - 0.8	V
FREQUENCY RESPONSE						
Bandwidth	R _{OUT} = 5 kΩ			800		kHz
	R _{OUT} = 125 kΩ			32		kHz
Settling time	To 0.1%	5-V step, R _{OUT} = 5 kΩ		1.8		µs
		5-V step, R _{OUT} = 125 kΩ		30		µs
NOISE						
Output-current noise density				9		pA/√Hz
Total output-current noise	BW = 100 kHz			3		nA RMS
POWER SUPPLY						
Quiescent current	V _{SENSE} = 0 V, I _O = 0 mA	T _A = 25°C		25	45	µA
		T _A = -40°C to +125°C			60	µA

- (1) Defined as the amount of input voltage, V_{SENSE}, to drive the output to zero.

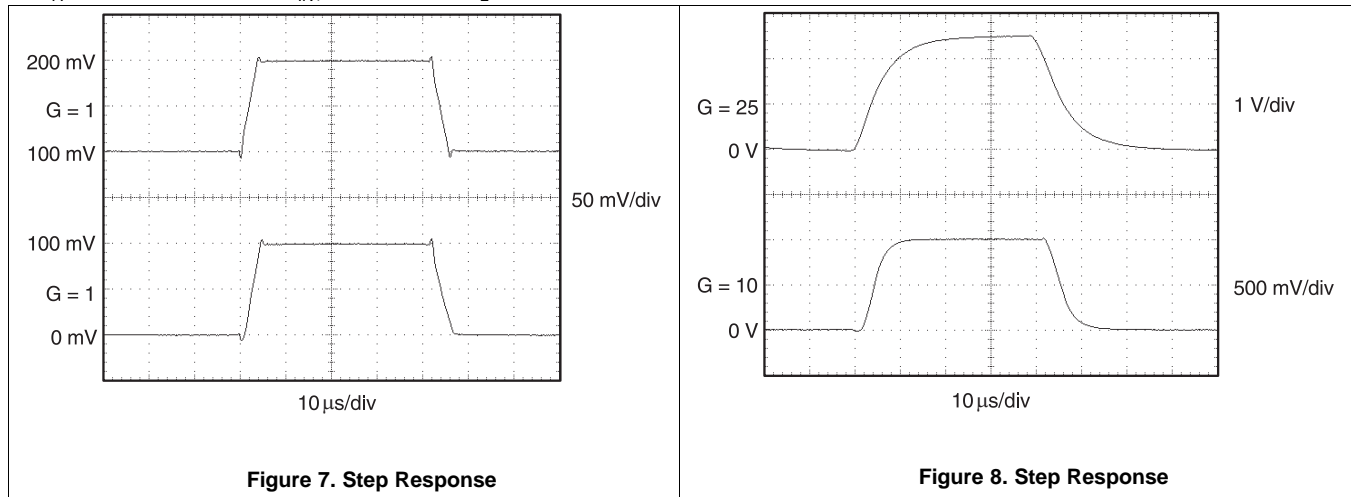
6.6 Typical Characteristics

At $T_A = +25^\circ\text{C}$, $V_+ = 5\text{ V}$, $V_{IN+} = 12\text{ V}$, and $R_L = 125\text{ k}\Omega$, unless otherwise noted.



Typical Characteristics (continued)

At $T_A = +25^\circ\text{C}$, $V_+ = 5\text{ V}$, $V_{IN+} = 12\text{ V}$, and $R_L = 125\text{ k}\Omega$, unless otherwise noted.

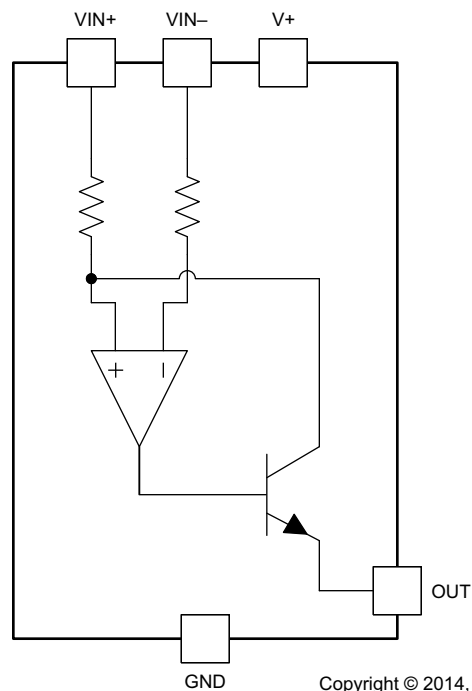


7 Detailed Description

7.1 Overview

The INA138 and INA168 devices (INA1x8) are comprised of a high voltage, precision operational amplifier, precision thin film resistors trimmed in production to an absolute tolerance and a low noise output transistor. The INA1x8 devices can be powered from a single power supply and their input voltages can exceed the power supply voltage. The INA1x8 devices are ideal for measuring small differential voltages, such as those generated across a shunt resistor, in the presence of large common-mode voltages. Refer to [Functional Block Diagram](#) which illustrates the functional components within both INA1x8 devices.

7.2 Functional Block Diagram



Copyright © 2014, Texas Instruments Incorporated

7.3 Feature Description

7.3.1 Output Voltage Range

The output of the INA1x8 device is a current that is converted to a voltage by the load resistor, R_L . The output current remains accurate within the compliance voltage range of the output circuitry. The shunt voltage and the input common-mode and power-supply voltages limit the maximum possible output swing. The maximum output voltage ($V_{out\ max}$) compliance is limited by either [Equation 1](#) or [Equation 2](#), whichever is lower:

$$V_{out\ max} = (V+) - 0.7\ V - (V_{IN+} - V_{IN-}) \quad (1)$$

or

$$V_{out\ max} = V_{IN-} - 0.5\ V \quad (2)$$

7.3.2 Bandwidth

Measurement bandwidth is affected by the value of the load resistor, R_L . High gain produced by high values of R_L will yield a narrower measurement bandwidth (see [Typical Characteristics](#)). For widest possible bandwidth, keep the capacitive load on the output to a minimum. Reduction in bandwidth due to capacitive load is shown in the [Typical Characteristics](#).

If bandwidth limiting (filtering) is desired, a capacitor can be added to the output (see [Figure 12](#)). This will not cause instability.

7.4 Device Functional Modes

For proper operation the INA1x8 devices must operate within their specified limits. Operating either device outside of their specified power supply voltage range or their specified common-mode range will result in unexpected behavior and is not recommended. Additionally operating the output beyond their specified limits with respect to power supply voltage and input common-mode voltage will also produce unexpected results. Refer to [Electrical Characteristics](#) for the device specifications.

8 Application and Implementation

NOTE

Information in the following applications sections is not part of the TI component specification, and TI does not warrant its accuracy or completeness. TI's customers are responsible for determining suitability of components for their purposes. Customers should validate and test their design implementation to confirm system functionality.

8.1 Application Information

8.1.1 Operation

Figure 9 illustrates the basic circuit diagram for both the INA138 and INA168 devices. Load current I_S is drawn from supply V_S through shunt resistor R_S . The voltage drop in shunt resistor V_S is forced across R_{G1} by the internal op amp, causing current to flow into the collector of Q1. External resistor R_L converts the output current to a voltage, V_{OUT} , at the OUT pin. The transfer function for the INA138 device is:

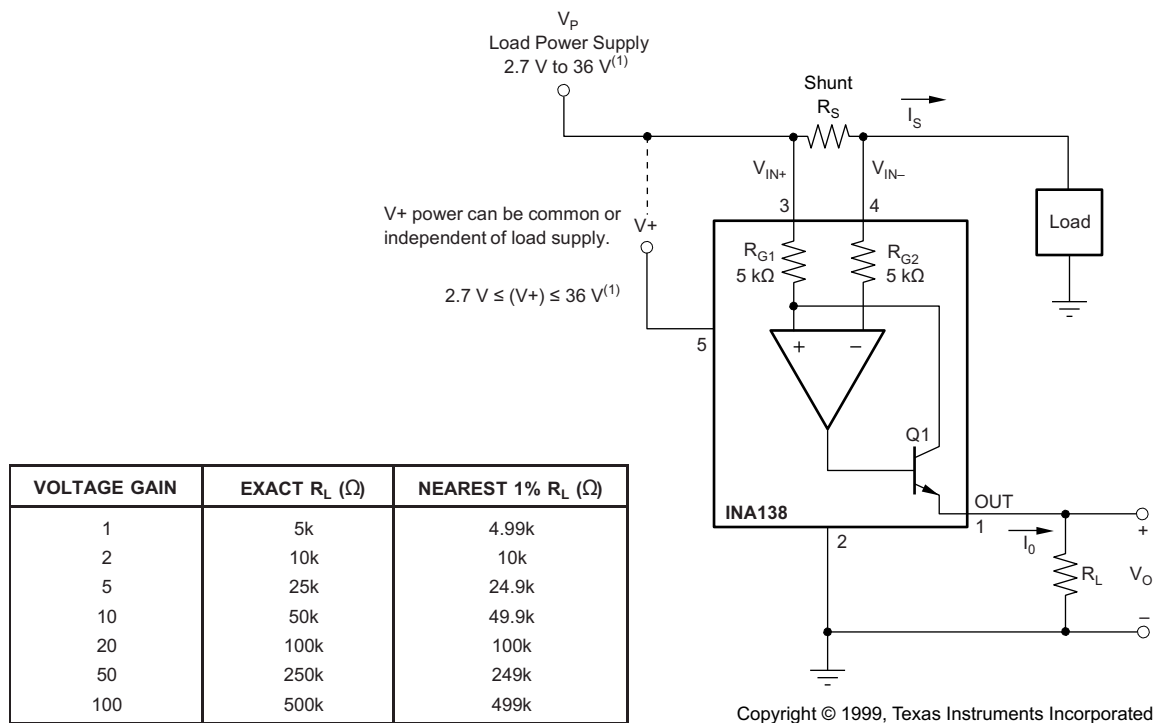
$$I_O = g_m(V_{IN+} - V_{IN-}) \quad (3)$$

where $g_m = 200 \mu A/V$.

In the circuit of Figure 9, the input voltage, $(V_{IN+} - V_{IN-})$, is equal to $I_S \times R_S$ and the output voltage, V_{OUT} , is equal to $I_O \times R_L$. The transconductance, g_m , of the INA138 device is $200 \mu A/V$. The complete transfer function for the current measurement amplifier in this application is:

$$V_{OUT} = (I_S) (R_S) (200 \mu A/V) (R_L) \quad (4)$$

The maximum differential input voltage for accurate measurements is 0.5 V, which produces a 100- μA output current. A differential input voltage of up to 2 V will not cause damage. Differential measurements (pins 3 and 4) must be unipolar with a more-positive voltage applied to pin 3. If a more-negative voltage is applied to pin 3, the output current, I_O , will be zero, but it will not cause damage.



(1) Maximum V_P and $V+$ voltage is 60 V with INA168.

Figure 9. Basic Circuit Connections

8.2 Typical Applications

The INA1x8 devices are designed for current shunt measurement circuits, as shown in Figure 9, but basic device function is useful in a wide range of circuitry. A creative engineer will find many unforeseen uses in measurement and level-shifting circuits. A few ideas are illustrated in Figure 10 through Figure 18.

8.2.1 Buffering Output to Drive an ADC

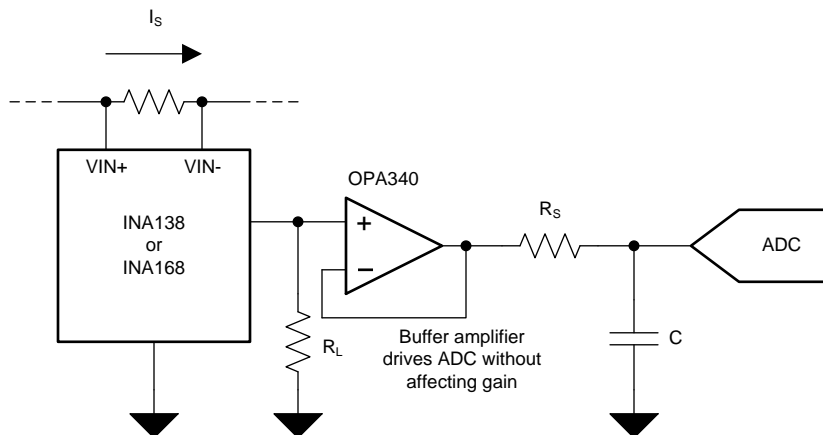


Figure 10. Buffering Output to Drive an ADC

8.2.1.1 Design Requirements

Digitize the output of the INA1x8 devices using a 1-MSPS analog-to-digital converter (ADC).

8.2.1.2 Detailed Design Procedure

8.2.1.2.1 Selecting the Shunt Resistor and R_L

In Figure 9 the value chosen for the shunt resistor depends on the application and is a compromise between small-signal accuracy and maximum permissible voltage loss in the measurement line. High values of shunt resistor provide better accuracy at lower currents by minimizing the effects of offset, while low values of shunt resistor minimize voltage loss in the supply line. For most applications, best performance is attained with a shunt resistor value that provides a full-scale shunt voltage range of 50 mV to 100 mV. Maximum input voltage for accurate measurements is 500 mV.

The load resistor, R_L , is chosen to provide the desired full-scale output voltage. The output impedance of the INA1x8 OUT terminal is very high which permits using values of R_L up to 500 k Ω with excellent accuracy. The input impedance of any additional circuitry at the output should be much higher than the value of R_L to avoid degrading accuracy.

Some analog-to-digital converters (ADCs) have input impedances that significantly affect measurement gain. The input impedance of the ADC can be included as part of the effective R_L if its input can be modeled as a resistor to ground. Alternatively, an op amp can be used to buffer the ADC input. The INA1x8 are current output devices, and as such have an inherently large output impedance. The output currents from the amplifier are converted to an output voltage via the load resistor, R_L , connected from the amplifier output to ground. The ratio of the load resistor value to that of the internal resistor value determines the voltage gain of the system.

In many applications digitizing the output of the INA1x8 device is required, and can be accomplished by connecting the output of the amplifier to an ADC. It is very common for an ADC to have a dynamic input impedance. If the INA1x8 output is connected directly to an ADC input, the input impedance of the ADC is effectively connected in parallel with the gain setting resistor R_L . This parallel impedance combination will affect the gain of the system and the impact on the gain is difficult to estimate accurately. A simple solution that eliminates the paralleling of impedances, simplifying the gain of the circuit is to place a buffer amplifier, such as the OPA340, between the output of the INA138 or INA168 device and the input to the ADC.

Typical Applications (continued)

Figure 10 illustrates this concept. Notice that a low pass filter is placed between the OPA340 output and the input to the ADC. The filter capacitor is required to provide any instantaneous demand for current required by the input stage of the ADC. The filter resistor is required to isolate the OPA340 output from the filter capacitor to maintain circuit stability. The values for the filter components will vary according to the operational amplifier used for the buffer and the particular ADC selected. More information can be found regarding the design of the low pass filter in the TI Precision Design , [16 bit 1MSPS Data Acquisition Reference Design for Single-Ended Multiplexed Applications \(TIPD173\)](#).

Figure 11 shows the expected results when driving an analog-to-digital converter at 1MSPS with and without buffering the INA1x8 output. Without the buffer, the high impedance of the INA1x8 reacts with the input capacitance and sample and hold (S/H) capacitance of the ADC, and does not allow the S/H to reach the correct final value before it is reset and the next conversion starts. Adding the buffer amplifier significantly reduces the output impedance driving the S/H and allows for higher conversion rates than can be achieved without adding the buffer.

8.2.1.3 Application Curve

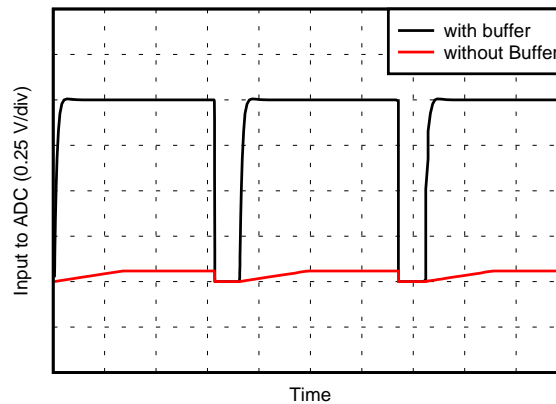


Figure 11. Driving an ADC With and Without a Buffer

Typical Applications (continued)

8.2.2 Output Filter

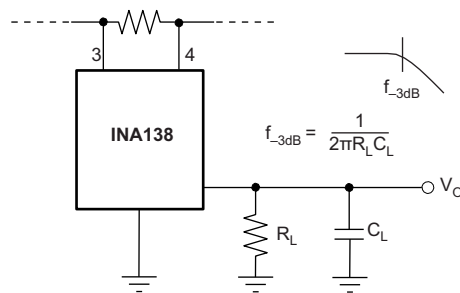


Figure 12. Output Filter

8.2.2.1 Design Requirements

Filter the output of the INA1x8 devices.

8.2.2.2 Detailed Design Procedure

A low-pass filter can be formed at the output of the INA1x8 devices simply by placing a capacitor of the desired value in parallel with the load resistor. First determine the value of the load resistor needed to achieve the desired gain. Refer to the table in Figure 9. Next, determine the capacitor value that will result in the desired cutoff frequency according to the equation shown in Figure 12. Figure 13 illustrates various combinations of gain settings (determined by R_L) and filter capacitors.

8.2.2.3 Application Curve

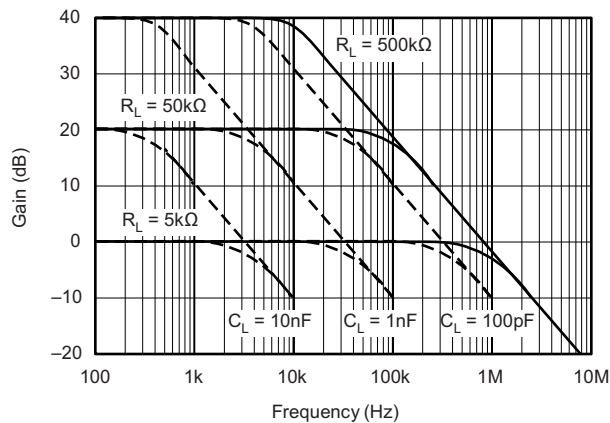


Figure 13. Gain vs Frequency

Typical Applications (continued)

8.2.3 Offsetting the Output Voltage

For many applications using only a single power supply it may be required to level shift the output voltage away from ground when there is no load current flowing in the shunt resistor. Level shifting the output of the INA1x8 devices is easily accomplished by one of two simple methods shown in Figure 14. The method on the left hand side of Figure 14 illustrates a simple voltage divider method. This method is useful for applications that require the output of the INA1x8 devices to remain centered with respect to the power supply at zero load current through the shunt resistor. Using this method the gain is determined by the parallel combination of R_1 and R_2 while the output offset is determined by the voltage divider ratio R_1 and R_2 . For applications that may require a fixed value of output offset, independent of the power supply voltage, the current source method shown on the right-hand side of Figure 14 is recommended. With this method a REF200 constant current source is used to generate a constant output offset. Using this method the gain is determined by R_L and the offset is determined by the product of the value of the current source and R_L .

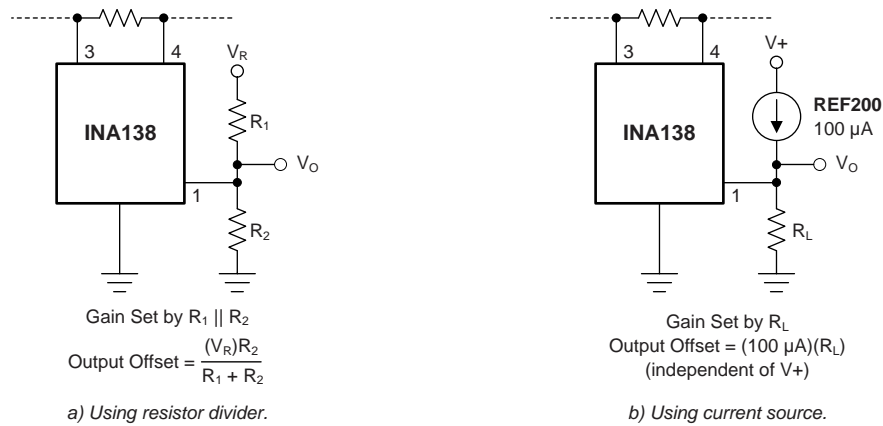


Figure 14. Offsetting the Output Voltage

Typical Applications (continued)

8.2.4 Bipolar Current Measurement

The INA1x8 devices can be configured as shown in Figure 15 in applications where measuring current bi-directionally is required. Two INA devices are required connecting their inputs across the shunt resistor as shown in Figure 15. A comparator, such as the TLV3201, is used to detect the polarity of the load current. The magnitude of the load current is monitored across the resistor connected between ground and the connection labeled *Output*. In this example the 100-k Ω resistor results in a gain of 20 V/V. The 10-k Ω resistors connected in series with the INA1x8 output current are used to develop a voltage across the comparator inputs. Two diodes are required to prevent current flow into the INA1x8 output, as only one device at a time is providing current to the *Output* connection of the circuit. The circuit functionality is illustrated in Figure 16.

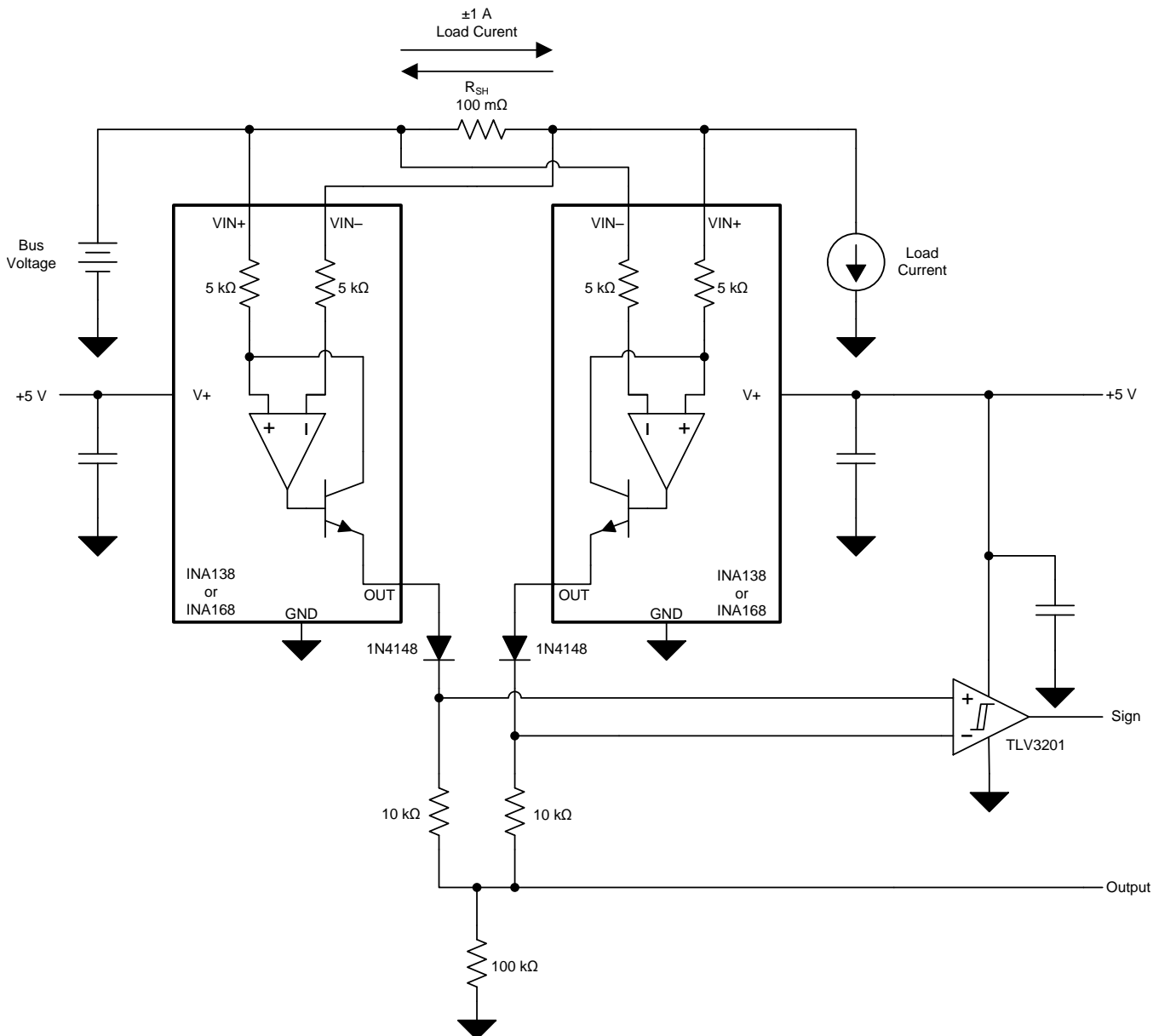
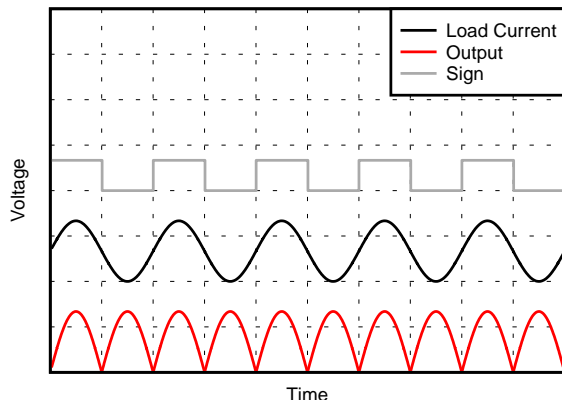
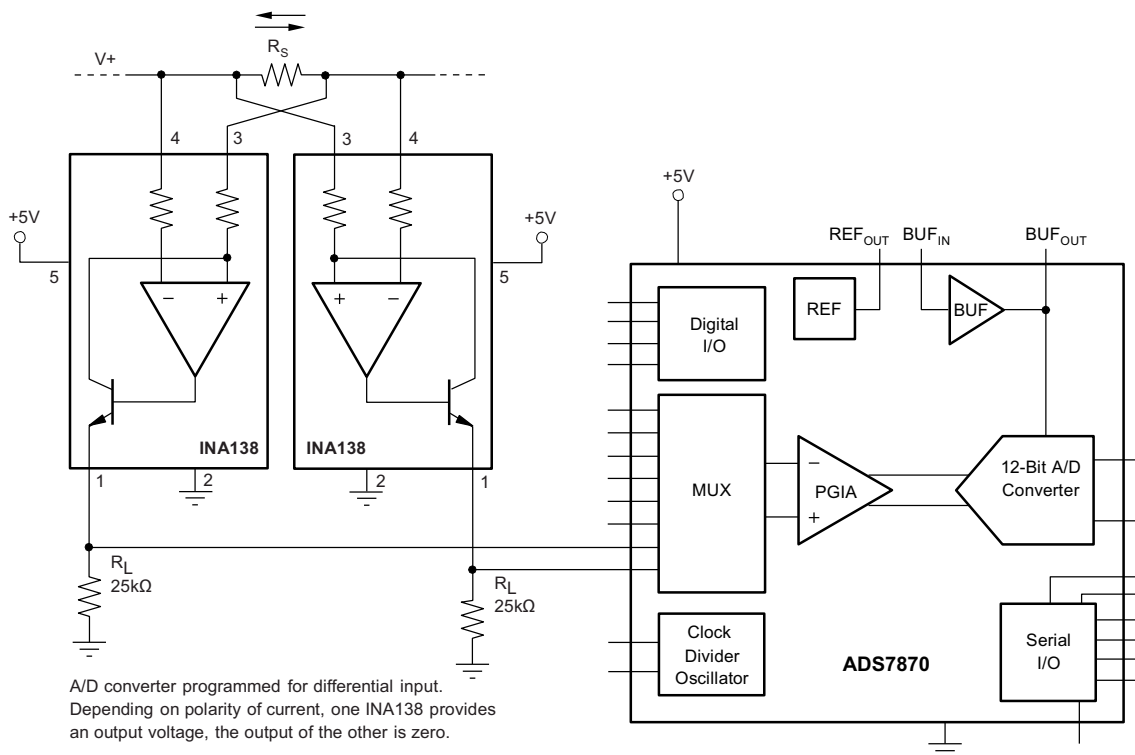


Figure 15. Bipolar Current Measurement

Typical Applications (continued)

Figure 16. Bipolar Current Measurements Results (arbitrary scale)
8.2.5 Bipolar Current Measurement Using Differential Input of ADC

The INA1x8 devices can be used with an ADC such as the [ADS7870](#) programmed for differential mode operation. [Figure 17](#) illustrates this configuration. In this configuration the use of two INAs allows for bidirectional current measurement. Depending upon the polarity of the current, one of the INAs provides an output voltage, while the other output is zero. In this way the ADC reads the polarity of current directly, without the need for additional circuitry.


Figure 17. Bipolar Current Measurement Using Differential Input of ADC

Typical Applications (continued)

8.2.6 Multiplexed Measurement Using Logic Signal for Power

Multiple loads can be measured as illustrated in Figure 18. In this configuration each INA1x8 device is powered by the digital I/O from the ADS7870. Multiplexing is achieved by switching on or off each the desired I/O.

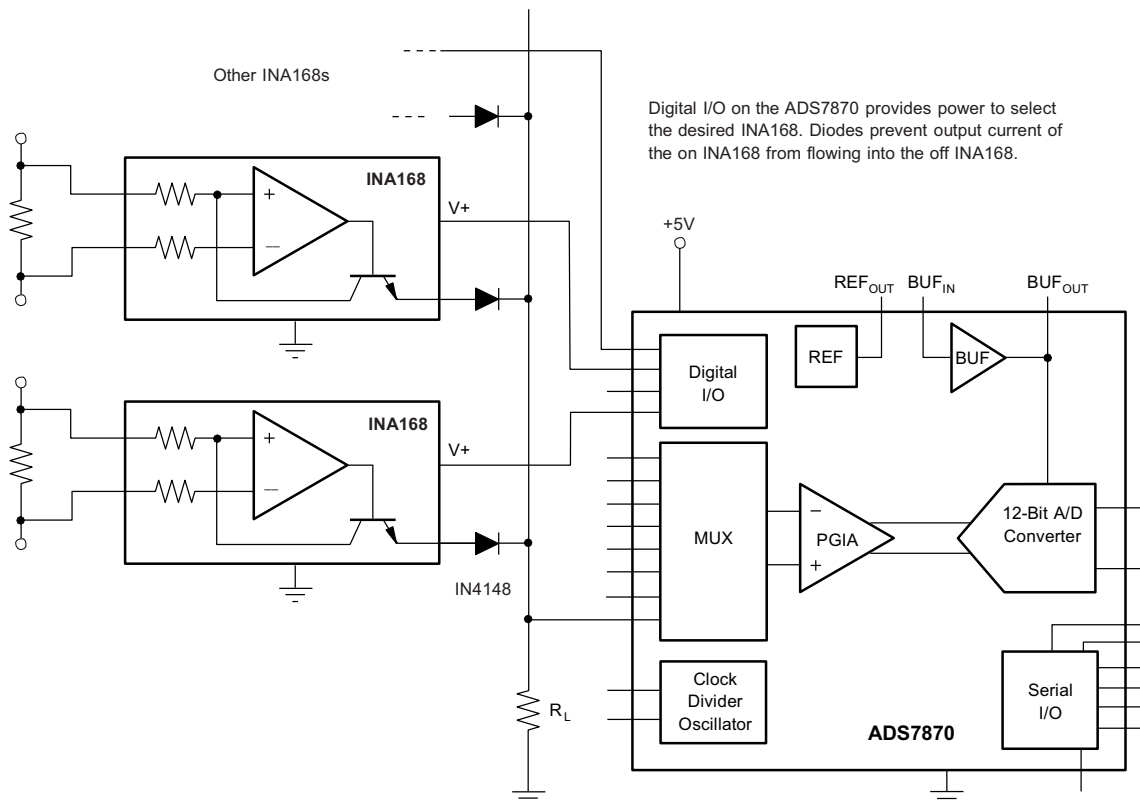


Figure 18. Multiplexed Measurement Using Logic Signal for Power

9 Power Supply Recommendations

The input circuitry of the INA138 can accurately measure beyond its power-supply voltage, V_+ . For example, the V_+ power supply can be 5 V, whereas the load power supply voltage is up to 36 V (or 60 V with the INA168). The output voltage range of the OUT terminal, however, is limited by the lesser of the two voltages (see [Output Voltage Range](#)). A 0.1- μF capacitor is recommended to be placed near the power supply pin on the INA138 or INA168. Additional capacitance may be required for applications with noisy power supply voltages.

10 Layout

10.1 Layout Guidelines

[Figure 19](#) shows the basic connection of the INA138 device. The input pins, V_{IN+} and V_{IN-} , should be connected as closely as possible to the shunt resistor to minimize any resistance in series with the shunt resistance. The output resistor, R_L , is shown connected between pin 1 and ground. Best accuracy is achieved with the output voltage measured directly across R_L . This is especially important in high-current systems where load current could flow in the ground connections, affecting the measurement accuracy.

No power-supply bypass capacitors are required for stability of the INA138. However, applications with noisy or high-impedance power supplies may require decoupling capacitors to reject power-supply noise. Connect bypass capacitors close to the device pins.

10.2 Layout Example

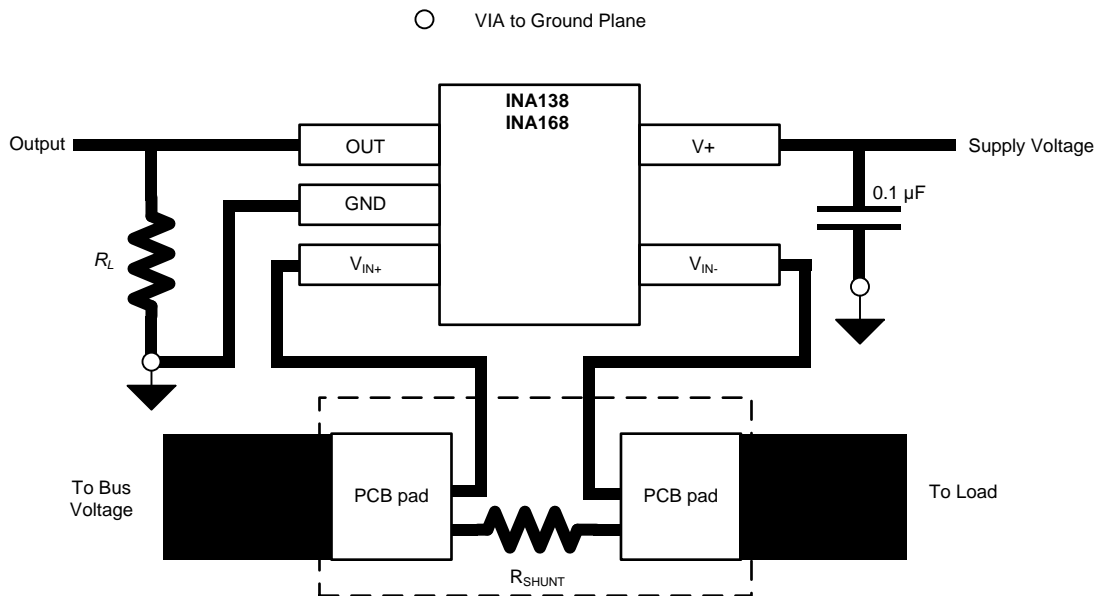


Figure 19. Typical Layout Example

11 Device and Documentation Support

11.1 Documentation Support

11.1.1 Related Documentation

For related documentation see the following:

- [16 bit 1MSPS Data Acquisition Reference Design for Single-Ended Multiplexed Applications](#)
- [ADS7870 12-Bit ADC, MUX, PGA and Internal Reference Data Acquisition System](#)
- [TLV3201, TLV3202 40-ns, microPOWER, Push-Pull Output Comparators](#)
- [REF200 Dual Current Source/Current Sink](#)

11.2 Related Links

Table 1 lists quick access links. Categories include technical documents, support and community resources, tools and software, and quick access to sample or buy.

Table 1. Related Links

PARTS	PRODUCT FOLDER	SAMPLE & BUY	TECHNICAL DOCUMENTS	TOOLS & SOFTWARE	SUPPORT & COMMUNITY
INA138	Click here	Click here	Click here	Click here	Click here
INA168	Click here	Click here	Click here	Click here	Click here

11.3 Receiving Notification of Documentation Updates

To receive notification of documentation updates, navigate to the device product folder on ti.com. In the upper right corner, click on *Alert me* to register and receive a weekly digest of any product information that has changed. For change details, review the revision history included in any revised document.

11.4 Community Resources

The following links connect to TI community resources. Linked contents are provided "AS IS" by the respective contributors. They do not constitute TI specifications and do not necessarily reflect TI's views; see TI's [Terms of Use](#).

TI E2E™ Online Community *TI's Engineer-to-Engineer (E2E) Community*. Created to foster collaboration among engineers. At e2e.ti.com, you can ask questions, share knowledge, explore ideas and help solve problems with fellow engineers.

Design Support *TI's Design Support* Quickly find helpful E2E forums along with design support tools and contact information for technical support.

11.5 Trademarks

E2E is a trademark of Texas Instruments.
All other trademarks are the property of their respective owners.

11.6 Electrostatic Discharge Caution



This integrated circuit can be damaged by ESD. Texas Instruments recommends that all integrated circuits be handled with appropriate precautions. Failure to observe proper handling and installation procedures can cause damage.

ESD damage can range from subtle performance degradation to complete device failure. Precision integrated circuits may be more susceptible to damage because very small parametric changes could cause the device not to meet its published specifications.

11.7 Glossary

SLYZ022 — *TI Glossary*.

This glossary lists and explains terms, acronyms, and definitions.

12 Mechanical, Packaging, and Orderable Information

The following pages include mechanical, packaging, and orderable information. This information is the most current data available for the designated devices. This data is subject to change without notice and revision of this document. For browser-based versions of this data sheet, refer to the left-hand navigation.

PACKAGING INFORMATION

Orderable Device	Status (1)	Package Type	Package Drawing	Pins	Package Qty	Eco Plan (2)	Lead finish/ Ball material (6)	MSL Peak Temp (3)	Op Temp (°C)	Device Marking (4/5)	Samples
INA138NA/250	ACTIVE	SOT-23	DBV	5	250	RoHS & Green	NIPDAU	Level-2-260C-1 YEAR	-40 to 125	B38	Samples
INA138NA/3K	ACTIVE	SOT-23	DBV	5	3000	RoHS & Green	NIPDAU	Level-2-260C-1 YEAR	-40 to 125	B38	Samples
INA138NA/3KG4	ACTIVE	SOT-23	DBV	5	3000	RoHS & Green	NIPDAU	Level-2-260C-1 YEAR	-40 to 125	B38	Samples
INA168NA/250	ACTIVE	SOT-23	DBV	5	250	RoHS & Green	NIPDAU	Level-2-260C-1 YEAR		A68	Samples
INA168NA/250G4	ACTIVE	SOT-23	DBV	5	250	RoHS & Green	NIPDAU	Level-2-260C-1 YEAR		A68	Samples
INA168NA/3K	ACTIVE	SOT-23	DBV	5	3000	RoHS & Green	NIPDAU	Level-2-260C-1 YEAR	-40 to 125	A68	Samples
INA168NA/3KG4	ACTIVE	SOT-23	DBV	5	3000	RoHS & Green	NIPDAU	Level-2-260C-1 YEAR	-40 to 125	A68	Samples

(1) The marketing status values are defined as follows:

ACTIVE: Product device recommended for new designs.

LIFEBUY: TI has announced that the device will be discontinued, and a lifetime-buy period is in effect.

NRND: Not recommended for new designs. Device is in production to support existing customers, but TI does not recommend using this part in a new design.

PREVIEW: Device has been announced but is not in production. Samples may or may not be available.

OBSOLETE: TI has discontinued the production of the device.

(2) **RoHS:** TI defines "RoHS" to mean semiconductor products that are compliant with the current EU RoHS requirements for all 10 RoHS substances, including the requirement that RoHS substance do not exceed 0.1% by weight in homogeneous materials. Where designed to be soldered at high temperatures, "RoHS" products are suitable for use in specified lead-free processes. TI may reference these types of products as "Pb-Free".

RoHS Exempt: TI defines "RoHS Exempt" to mean products that contain lead but are compliant with EU RoHS pursuant to a specific EU RoHS exemption.

Green: TI defines "Green" to mean the content of Chlorine (Cl) and Bromine (Br) based flame retardants meet JS709B low halogen requirements of <=1000ppm threshold. Antimony trioxide based flame retardants must also meet the <=1000ppm threshold requirement.

(3) MSL, Peak Temp. - The Moisture Sensitivity Level rating according to the JEDEC industry standard classifications, and peak solder temperature.

(4) There may be additional marking, which relates to the logo, the lot trace code information, or the environmental category on the device.

(5) Multiple Device Markings will be inside parentheses. Only one Device Marking contained in parentheses and separated by a "~" will appear on a device. If a line is indented then it is a continuation of the previous line and the two combined represent the entire Device Marking for that device.

⁽⁶⁾ Lead finish/Ball material - Orderable Devices may have multiple material finish options. Finish options are separated by a vertical ruled line. Lead finish/Ball material values may wrap to two lines if the finish value exceeds the maximum column width.

Important Information and Disclaimer:The information provided on this page represents TI's knowledge and belief as of the date that it is provided. TI bases its knowledge and belief on information provided by third parties, and makes no representation or warranty as to the accuracy of such information. Efforts are underway to better integrate information from third parties. TI has taken and continues to take reasonable steps to provide representative and accurate information but may not have conducted destructive testing or chemical analysis on incoming materials and chemicals. TI and TI suppliers consider certain information to be proprietary, and thus CAS numbers and other limited information may not be available for release.

In no event shall TI's liability arising out of such information exceed the total purchase price of the TI part(s) at issue in this document sold by TI to Customer on an annual basis.

OTHER QUALIFIED VERSIONS OF INA138, INA168 :

- Automotive : [INA138-Q1](#), [INA168-Q1](#)

NOTE: Qualified Version Definitions:

- Automotive - Q100 devices qualified for high-reliability automotive applications targeting zero defects

TAPE AND REEL INFORMATION



QUADRANT ASSIGNMENTS FOR PIN 1 ORIENTATION IN TAPE



*All dimensions are nominal

Device	Package Type	Package Drawing	Pins	SPQ	Reel Diameter (mm)	Reel Width W1 (mm)	A0 (mm)	B0 (mm)	K0 (mm)	P1 (mm)	W (mm)	Pin1 Quadrant
INA138NA/250	SOT-23	DBV	5	250	178.0	9.0	3.3	3.2	1.4	4.0	8.0	Q3
INA138NA/3K	SOT-23	DBV	5	3000	178.0	9.0	3.3	3.2	1.4	4.0	8.0	Q3
INA168NA/250	SOT-23	DBV	5	250	178.0	9.0	3.23	3.17	1.37	4.0	8.0	Q3
INA168NA/3K	SOT-23	DBV	5	3000	178.0	9.0	3.23	3.17	1.37	4.0	8.0	Q3

TAPE AND REEL BOX DIMENSIONS


*All dimensions are nominal

Device	Package Type	Package Drawing	Pins	SPQ	Length (mm)	Width (mm)	Height (mm)
INA138NA/250	SOT-23	DBV	5	250	180.0	180.0	18.0
INA138NA/3K	SOT-23	DBV	5	3000	180.0	180.0	18.0
INA168NA/250	SOT-23	DBV	5	250	180.0	180.0	18.0
INA168NA/3K	SOT-23	DBV	5	3000	180.0	180.0	18.0

EXAMPLE BOARD LAYOUT

DBV0005A

SOT-23 - 1.45 mm max height

SMALL OUTLINE TRANSISTOR



LAND PATTERN EXAMPLE
EXPOSED METAL SHOWN
SCALE:15X



SOLDER MASK DETAILS

4214839/F 06/2021

NOTES: (continued)

- 5. Publication IPC-7351 may have alternate designs.
- 6. Solder mask tolerances between and around signal pads can vary based on board fabrication site.

EXAMPLE STENCIL DESIGN

DBV0005A

SOT-23 - 1.45 mm max height

SMALL OUTLINE TRANSISTOR



SOLDER PASTE EXAMPLE
BASED ON 0.125 mm THICK STENCIL
SCALE:15X

4214839/F 06/2021

NOTES: (continued)

7. Laser cutting apertures with trapezoidal walls and rounded corners may offer better paste release. IPC-7525 may have alternate design recommendations.
8. Board assembly site may have different recommendations for stencil design.

IMPORTANT NOTICE AND DISCLAIMER

TI PROVIDES TECHNICAL AND RELIABILITY DATA (INCLUDING DATASHEETS), DESIGN RESOURCES (INCLUDING REFERENCE DESIGNS), APPLICATION OR OTHER DESIGN ADVICE, WEB TOOLS, SAFETY INFORMATION, AND OTHER RESOURCES "AS IS" AND WITH ALL FAULTS, AND DISCLAIMS ALL WARRANTIES, EXPRESS AND IMPLIED, INCLUDING WITHOUT LIMITATION ANY IMPLIED WARRANTIES OF MERCHANTABILITY, FITNESS FOR A PARTICULAR PURPOSE OR NON-INFRINGEMENT OF THIRD PARTY INTELLECTUAL PROPERTY RIGHTS.

These resources are intended for skilled developers designing with TI products. You are solely responsible for (1) selecting the appropriate TI products for your application, (2) designing, validating and testing your application, and (3) ensuring your application meets applicable standards, and any other safety, security, or other requirements. These resources are subject to change without notice. TI grants you permission to use these resources only for development of an application that uses the TI products described in the resource. Other reproduction and display of these resources is prohibited. No license is granted to any other TI intellectual property right or to any third party intellectual property right. TI disclaims responsibility for, and you will fully indemnify TI and its representatives against, any claims, damages, costs, losses, and liabilities arising out of your use of these resources.

TI's products are provided subject to TI's Terms of Sale (<https://www.ti.com/legal/termsofsale.html>) or other applicable terms available either on [ti.com](https://www.ti.com) or provided in conjunction with such TI products. TI's provision of these resources does not expand or otherwise alter TI's applicable warranties or warranty disclaimers for TI products.

Mailing Address: Texas Instruments, Post Office Box 655303, Dallas, Texas 75265
Copyright © 2021, Texas Instruments Incorporated