



[Maxim](#) > [Design Support](#) > [Technical Documents](#) > [Application Notes](#) > [Basestations/Wireless Infrastructure](#) > APP 1856
[Maxim](#) > [Design Support](#) > [Technical Documents](#) > [Application Notes](#) > [High-Speed Interconnect](#) > APP 1856

Keywords: serial link, integrity, serializer, serialiser, deserializer, deserialiser, LVDS, cable length, jitter, data rate, signal integrity, serial data links, LVDS serializer deserializer

APPLICATION NOTE 1856

Signal Integrity vs. Transmission Rate and Cable Length for LVDS Serializers

Jan 17, 2003

Abstract: This application note contains an investigation into the signal integrity of serial data links versus cable length. Jitter measurements were performed using the MAX9207/MAX9208 LVDS serializer/deserializer pair using various lengths of cable. Results are tabulated for jitter and maximum data rate versus cable length.

Introduction

The MAX9205/9207 serializers and MAX9206/9208 deserializers are designed to transmit high-speed data over a point-to-point interconnection. The serial "payload" data rate is 400Mbps to 600Mbps for the MAX9207-MAX9208 and is 160Mbps to 400Mbps for the MAX9205-MAX9206. Both pairs have the same configuration and differ only in operating frequency. In this app note we will focus on the higher data rate MAX9207 serializer.

The serializer and deserializer can be used in applications needing fast data interconnections such as telecom/network backplane data exchanges, 3G cell phone basestation interconnection, and video display panel interfaces. The advantages of LVDS interconnection are simple configuration, low transmission power, low cost cable, high data rate, long reach, and low EMI. The LVDS standards (ANSI TIA/EIA-644 and IEEE 1596.3) specify the signal level, waveform, and timing, but not the cable type, data rate, bus structure, and link distance. They offer users the flexibility to apply LVDS signaling to various applications but require familiarity with the characteristics of LVDS on the data rate, bit error rate (BER), cable length, and cable type. This application note presents laboratory test results and analysis of the quality of LVDS signaling under different data rates and cable lengths. It is expected that this note will provide system designers with some guidance in their applications.

Signal quality is quantified by measuring the jitter and amplitude of LVDS eye diagrams at various data rates and cable lengths. The eye diagram is used because it requires simple equipment and is easy to conduct compared to a BER test. A BER test requires a long test time. For instance, a BER test to verify an error rate of 10^{-12} needs at least 10^{14} bits. At 400Mbps, almost 3 days would be required to send and receive 10^{14} bits. To verify a BER of 10^{-13} would take a month. The jitter of an eye diagram is directly linked to the signal quality from which we can predict the reliability of the data link.

Measurement Setup

In the conducted tests, the LVDS signal is transmitted from the MAX9207 LVDS serializer. The MAX9207

latches 10-bits of parallel input data, adds two overhead synchronization bits and transmits the serialized data stream through a single LVDS output. The parallel data clock (TCLK) can be as high as 60MHz. With the two synchronization bits included, the serial rate (called "link data rate" in the tables) is 12 x TCLK. The "payload" data rate (the transfer rate of the parallel data) is 10 x TCLK. The functional block of MAX9207 is shown in **Figure 1**.

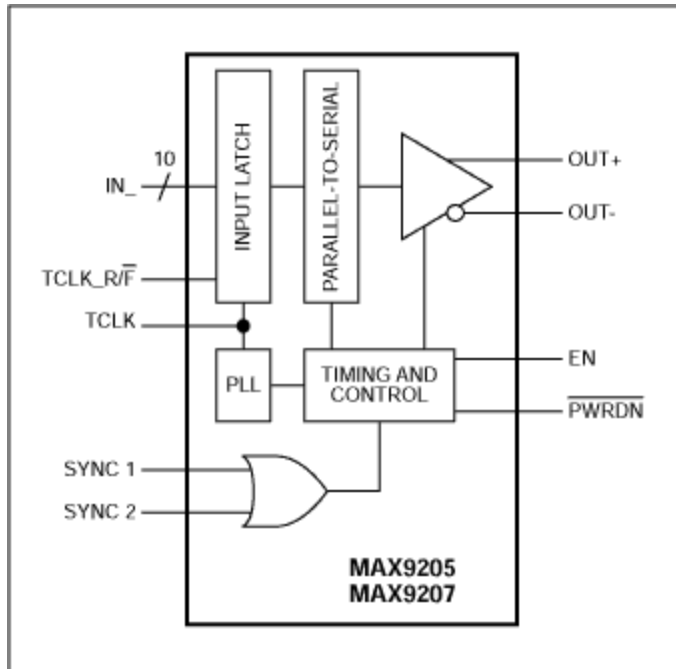


Figure 1. Function block diagram of the MAX9207.

The test setup is shown in **Figure 2**. The 10-bit parallel data is generated by the Sony/Tektronix DG2020A digital signal generator. A repeating 512 random bit sequence is output to each bit of the MAX9207 parallel input. Each random sequence is generated by a 32-bit shift register with randomly selected coefficients. Each output has a different set of coefficients. The cable is unshielded Ethernet Category 5, AWG 24, twisted-pair. We tested various cable lengths: 5ft, 15ft, 30ft, and 60ft. One end of the cable is connected to the MAX9207 output using two through-holes (1A and 1B) on the MAX9207 EV board. The other end of the cable is terminated by a 100Ω resistor. The eye diagram is measured on a Tektronix TDS784C oscilloscope using a Tektronix P6247 1.0GHz differential probe. The oscilloscope is synchronized with the MAX9207 parallel rate clock.

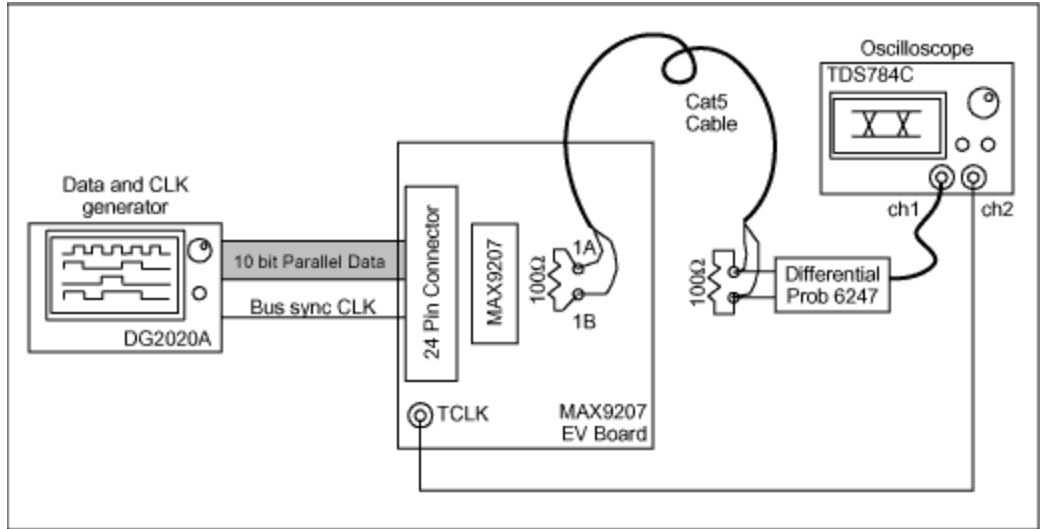


Figure 2. Eye diagram measurement setup.

Test Results

Four groups of tests are conducted. In each group, a different cable length is selected and the link data rate is varied from 480Mbps to 720Mbps. This link data rate includes the two synchronization bits, making the "payload" data rate from the 10-bit parallel input 400Mbps to 600Mbps. The total jitter t_{TJ} is measured at the line of zero differential voltage and the quantity t_{UI} is the duration of a bit symbol (see **Figure 3**). In addition to measuring t_{TJ} , we also measure another jitter called marginal jitter t_{MJ} related with differential voltage of the LVDS signal (see Figure 3). As shown in Figure 3, the jitter t_{MJ} is measured from the center of the zero-crossing of eye-diagram to the point where the peak-to-peak differential voltage is equal to 300mV. With the marginal jitter t_{MJ} , we can measure the margin for the data rate that can be reliably recovered by the deserializer MAX9208. The differential peak-to-peak voltage is defined as V_{P-P} . V_{P-P} is two times the magnitude of the difference of the single-ended voltages at the measurement point, or $V_{P-P} = 2 \times |(V_{OUT+}) - (V_{OUT-})|$. For example, at the measurement point, if $V_{OUT+} = 1.35V$ and $V_{OUT-} = 1.10V$ relative to ground in the high state and $V_{OUT+} = 1.10V$ and $V_{OUT-} = 1.35V$ relative to ground in the low state, then $V_{P-P} = 500mV$. Since the measurements are made with a differential probe (which subtracts V_{OUT-} from V_{OUT+}) the eye diagrams show V_{P-P} . Intuitively, $t_{UI} - t_{TJ}$ is a measure of eye diagram width and V_{P-P} is the amplitude.

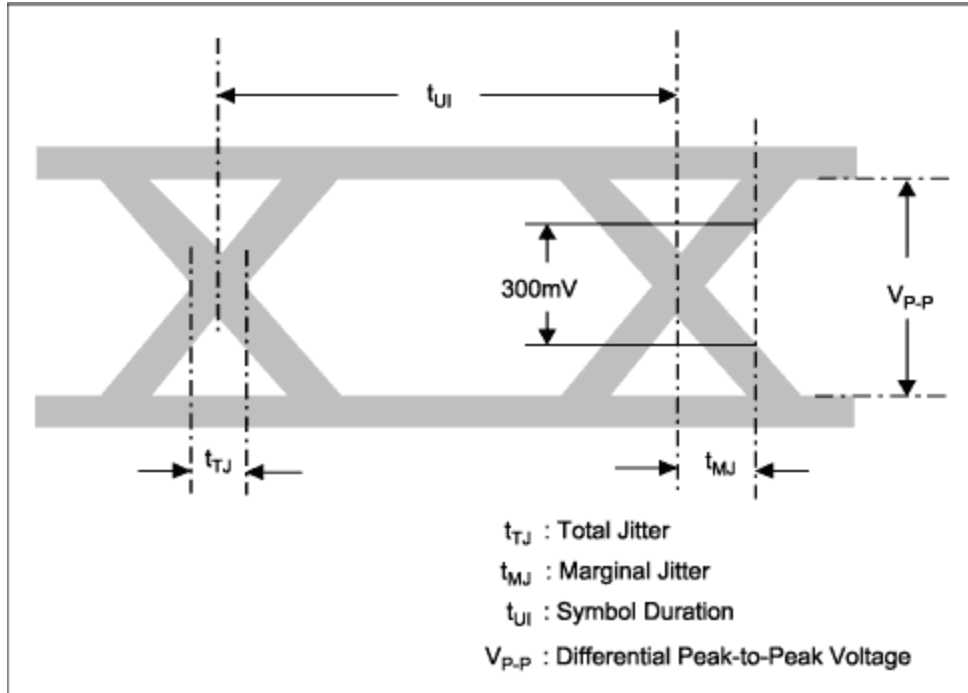


Figure 3. Jitter measurement at zero differential voltage line.

Table 1 records the measurements of the tests of the four groups with cable lengths from 5ft to 60ft. In the table, the link data rate is the actual rate on the LVDS link.

Table 1. Total Jitter t_{TJ} and Peak-to-Peak Differential Voltage V_{P-P} of Eye Diagram

	Link Data Rate (Mbps)	Symbol Duration t_{UI} (ps)	Total Jitter t_{TJ} (ps)*	Marginal Jitter t_{MJ} (ps)*	Differential Voltage V_{P-P} (mV)*
5 feet	480	2083	100	130	936
	540	1852	100	150	920
	600	1667	100	160	912
	660	1515	110	160	904
	720	1389	110	160	895
15 feet	480	2083	130	200	808
	540	1852	130	200	788
	600	1667	130	210	768
	660	1515	140	210	736
	720	1389	140	220	704
30 feet	480	2083	230	320	564
	540	1852	230	360	556
	600	1667	230	360	530
	660	1515	240	370	492
	720	1389	240	380	450
60 feet	480	2083	300	540	436
	540	1852	300	560	412

	600	1667	320	580	384
	660	1515	340	600	348
	720	1389	360	640	338

*Measurement resolutions for t_{TJ} and V_{p-p} are 10ps and 2mV, respectively.

In **Figures 4, 5 and 6**, we plot the jitters and differential voltage versus the link data rate.

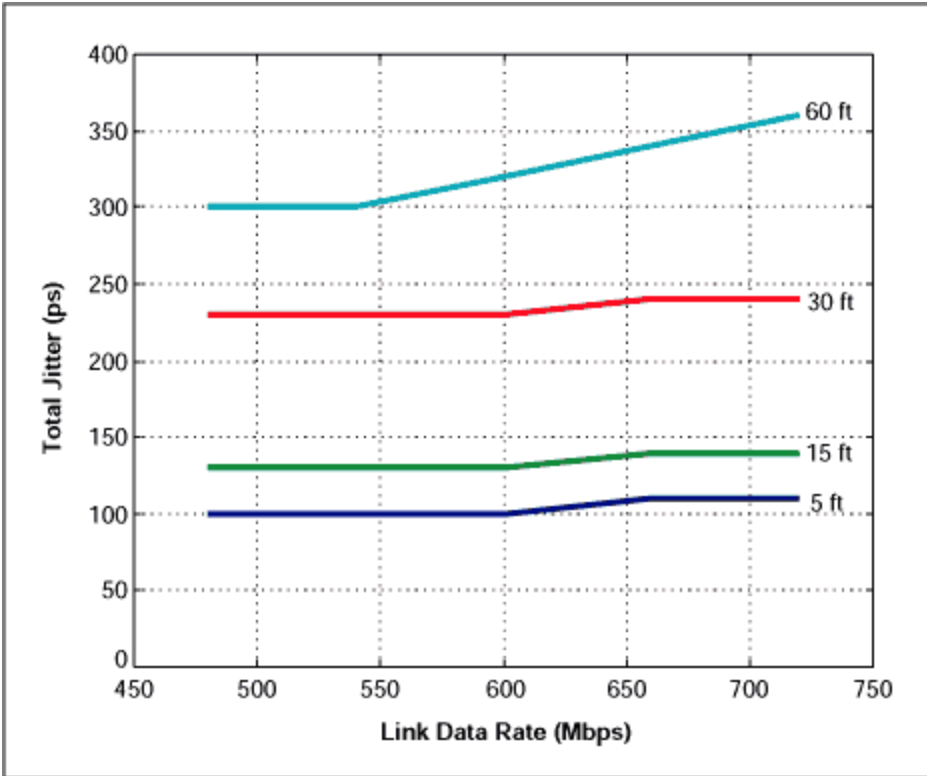


Figure 4. Total jitter t_{TJ} vs. link data rate.

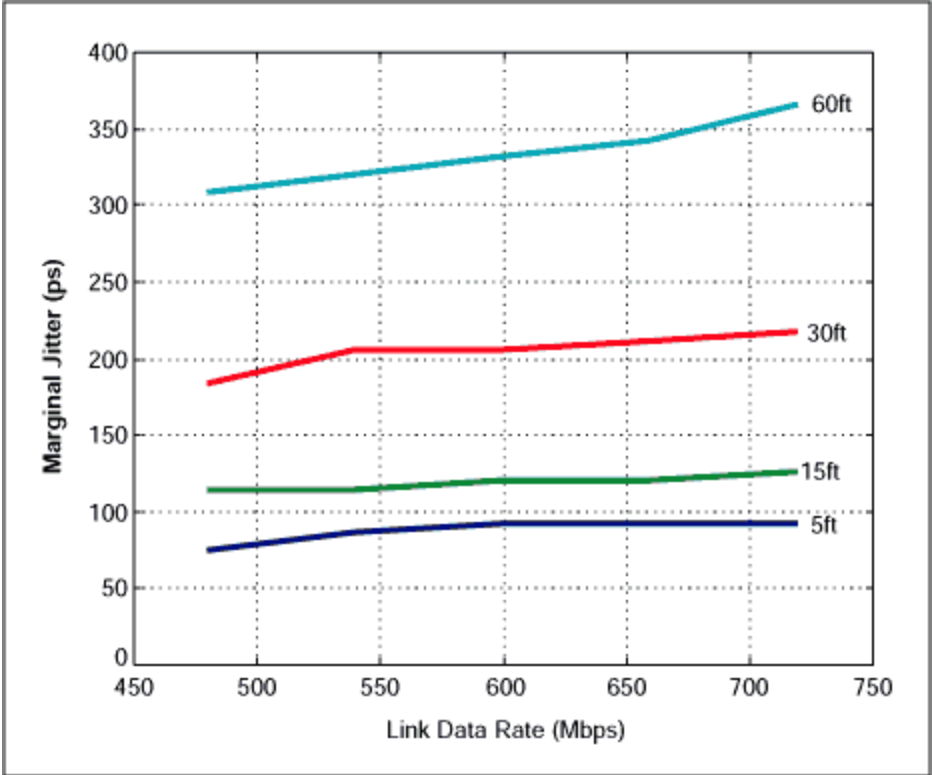


Figure 5. Marginal jitter t_{MJ} vs. link data rate.

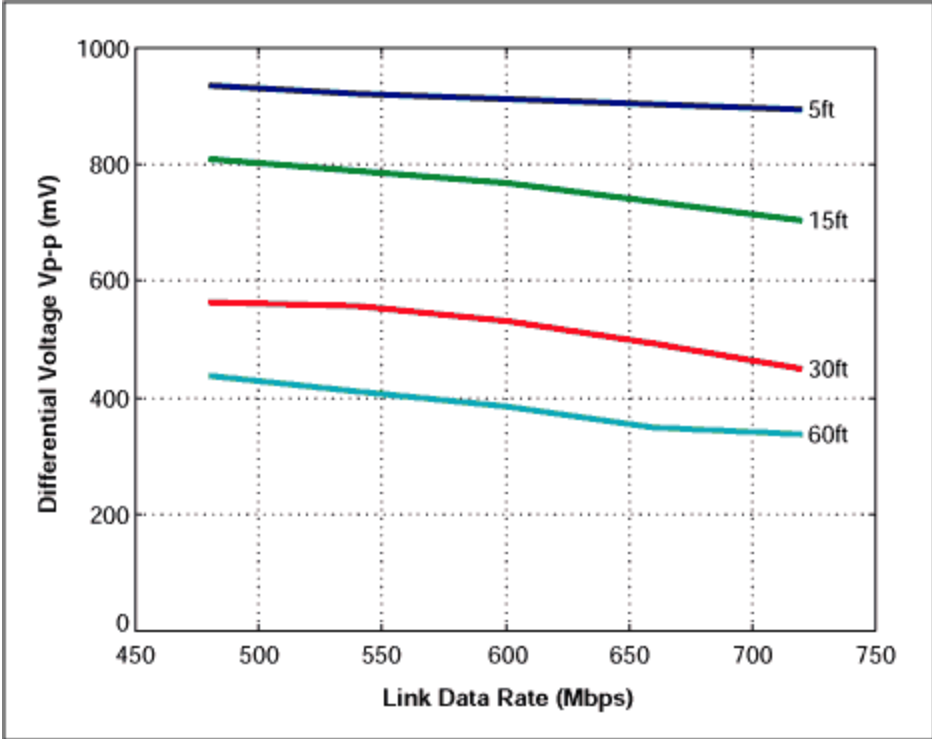


Figure 6. Differential voltage V_{p-p} vs. link data rate.

From the measurements, we can observe a few facts. From 5ft to 30ft, t_{TJ} and t_{MJ} increase slowly vs. the link data rate. As the cable length increases to 60ft, the jitter increases rapidly with the link data rate. For jitter vs. cable length, both increase slowly below 15ft, and then much faster for 30ft and 60ft. For differential voltage vs. link data rate, V_{P-P} changes almost linearly in terms of the link data rate. There is a big increment as the cable length goes from 15ft to 30ft. Overall, it shows that the LVDS signaling provided by the MAX9207 can have a long reach on low cost CAT-5 unshielded twisted cable.

The MAX9208 deserializer is designed to receive the serialized data sent from the MAX9207. According to the data sheet of MAX9208, it can recover data reliably with the marginal jitter t_{MJ} less than 720ps at 480Mbps and 320ps at 720Mbps. With a linear interpolation we get the upper limits of the marginal jitter for the rates between 480Mbps and 720Mbps (see Table 2). These upper limits provide us the criteria for determining the reliable transmission rates for various cable lengths. To provide a conservative result, we tighten the jitter upper limits by 10%. Table 3 shows the data rates the MAX9207 can transmit and the MAX9208 can recover reliably under different cable lengths in terms of the tightened jitter upper limits. **Figure 7** plots these results in log scales.

Table 2. Upper Limits of the Marginal Jitter for Different Link Data Rates

Link Data Rate (Mbps)	Symbol Duration t_{UI} (ps)	Upper Limits of Marginal Jitter t_{MJ} (ps)	10% Tightened Upper Limits of Marginal Jitter t_{MJ} (ps)
480	2083	720	648
540	1852	620	558
600	1667	520	468
660	1515	420	378
720	1389	320	288

Table 3. Maximum Link Data Rates under Tightened Upper Jitter Limits of Different Cable Lengths

Cable Length	Link Data Rate (Mbps)	Measure Marginal Jitter t_{MJ} (ps)	10% Tightened Upper Limits of Marginal Jitter t_{MJ} (ps)
5ft	720	160	288
15ft	720	220	288
30ft	660	360	378
60ft	528	570	576

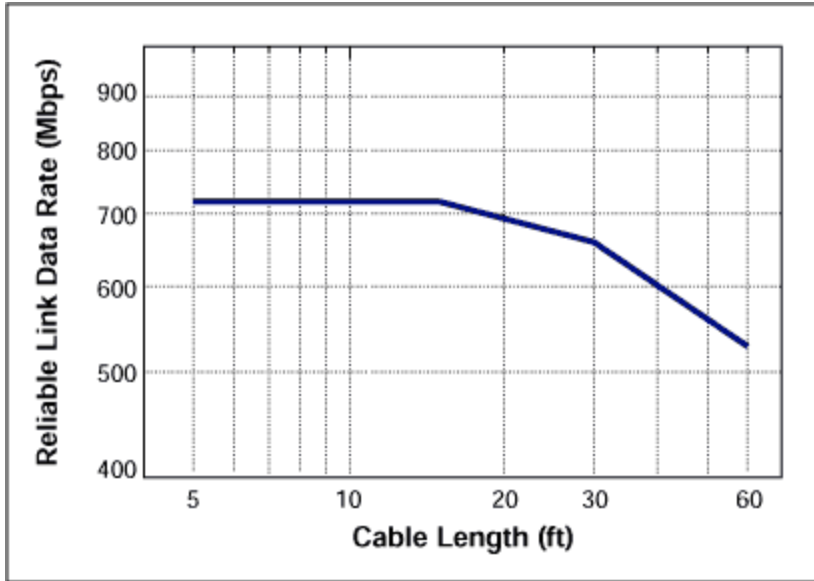
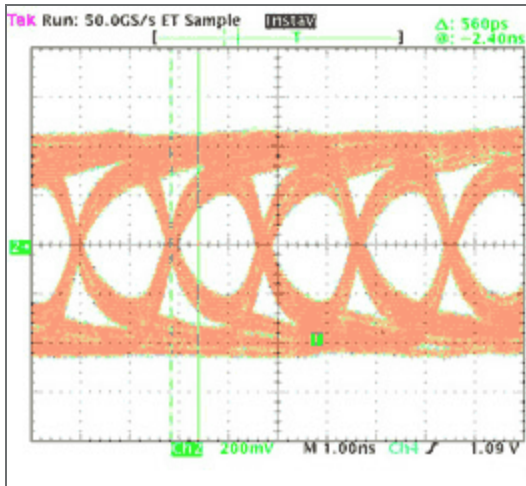
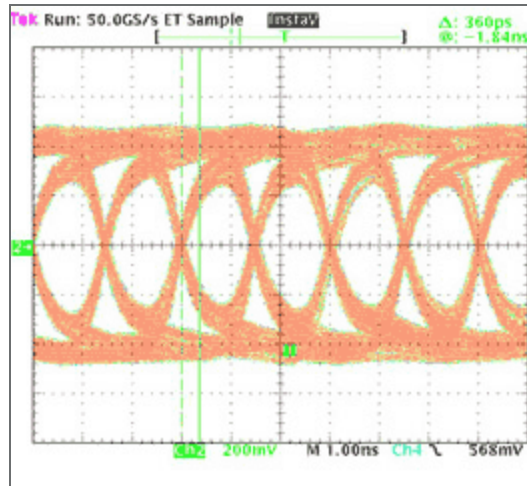


Figure 7. Reliable link data rates for different cable lengths.

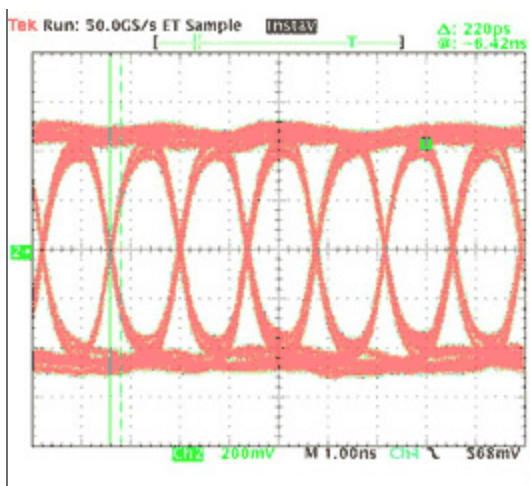
The above results show that for 5ft and 15ft cables, the data rates are bounded by the highest operation data rate (720Mbps) of the MAX9207 serializer. As the cable length goes beyond 30ft, the data rate decreases as the length increases. Through these measurements, it demonstrates that the MAX9207/9208 serializer/deserializer pair can establish a reliable point-to-point high-speed data link with a single pair of CAT-5 cable for various applications. Figure 7 provides simple design guidance for users to select the cable length. To show some measured signals by the digital scope, **Figure 8** presents the eye diagrams measured under the conditions in Table 3.



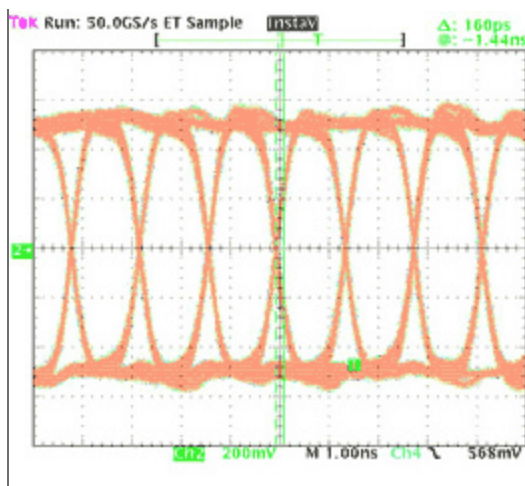
60ft, 528Mbps, $t_{MJ} = 560ps$



30ft, 660Mbps, $t_{MJ} = 360ps$



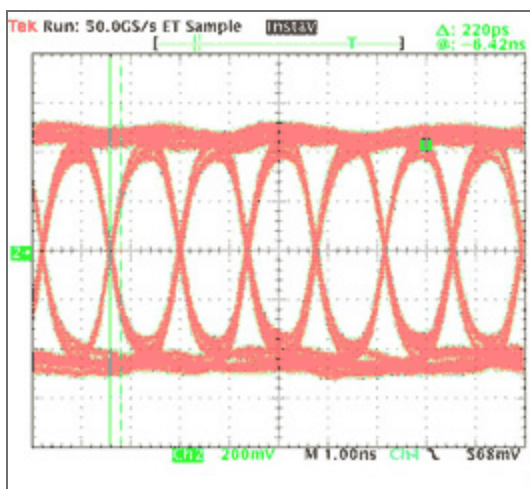
15ft, 720Mbps, $t_{MJ} = 220ps$



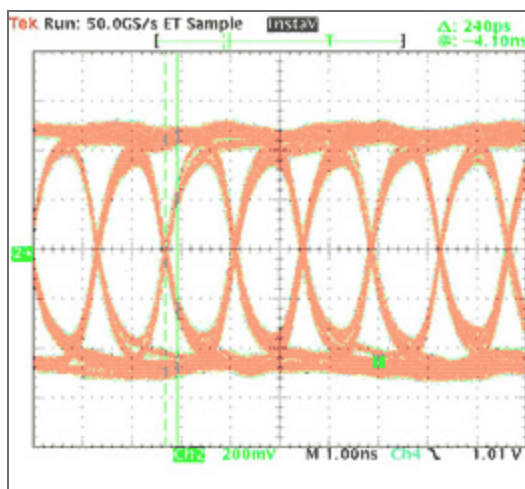
5ft, 720Mbps, $t_{MJ} = 160ps$

Figure 8. Eye diagrams of different cable lengths.

Since in some applications, it is preferred to use AC coupling between the serializer and deserializer by inserting two capacitors at the LVDS output pins. To demonstrate the effect of AC coupling, we inserted a 0.012 μ F ceramic chip capacitor in series with each serializer output. **Figure 9** shows the eye diagrams for DC and AC coupling of 15ft cable at the data rate of 720Mbps. Comparing the eye diagrams of the two cases, we see that AC coupling reduces the differential voltage and increases the jitter slightly. We can ignore the effect of AC coupling on the signal integrity as long as the signal has a good zero DC balance.



15ft, 720Mbps, DC coupling, $t_{MJ} = 220ps$



15ft, 720Mbps, AC coupling, $t_{MJ} = 240ps$

Figure 9. Eye diagrams of DC and AC coupling with 15ft cable.

Conclusions

The eye diagram gives a good measure for LVDS signal quality. The jitter and the amplitude of the eye diagram are determined by serializer and cable characteristics. According to the character of the deserializer MAX9208, the marginal jitter t_{MJ} can directly determine the data rate that can be reliably

transmitted and recovered over the link. This report provides a typical performance of the MAX9207 LVDS serializer across CAT-5 cable. The measured results serve as a design guideline for system interconnection. For applications where the cable is not CAT-5, the methodology of this report can be used but not the measured data. It should be noted that the cable's high frequency transmission line character is one of the key factors determining the signal quality.

Related Parts

MAX9205	10-Bit Bus LVDS Serializers	Free Samples
MAX9206	10-Bit Bus LVDS Deserializers	Free Samples
MAX9207	10-Bit Bus LVDS Serializers	Free Samples
MAX9208	10-Bit Bus LVDS Deserializers	Free Samples

More Information

For Technical Support: <http://www.maximintegrated.com/support>

For Samples: <http://www.maximintegrated.com/samples>

Other Questions and Comments: <http://www.maximintegrated.com/contact>

Application Note 1856: <http://www.maximintegrated.com/an1856>

APPLICATION NOTE 1856, AN1856, AN 1856, APP1856, Appnote1856, Appnote 1856

Copyright © by Maxim Integrated Products

Additional Legal Notices: <http://www.maximintegrated.com/legal>