



## PRODUCT CHANGE NOTIFICATION

PCN No.: **PCN150804**

*This Product Change Notification serves to inform the Purchaser and Consumer of certain design and or specification changes, described herein, that Crydom will make to its line of Solid State Relay model numbers indicated in the attachment and in accordance with the described time line.*

**Issue Date:** August 25<sup>th</sup> 2015

**Effective Date:** November 17<sup>th</sup> 2015

### Subject:

**Change of the DIN rail bracket used in the CMR Series solid state relays.**

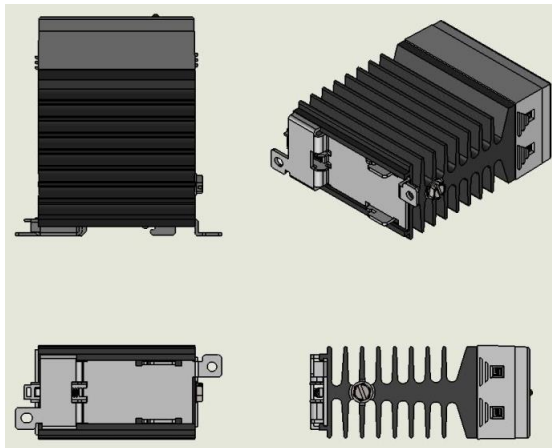
### Scope:

To improve the DIN rail attachment system of the CMR Solid State Relay for better stability and improved vibration and shock resistance when mounted on DIN rail, a mechanical change will be applied to the DIN rail bracket.

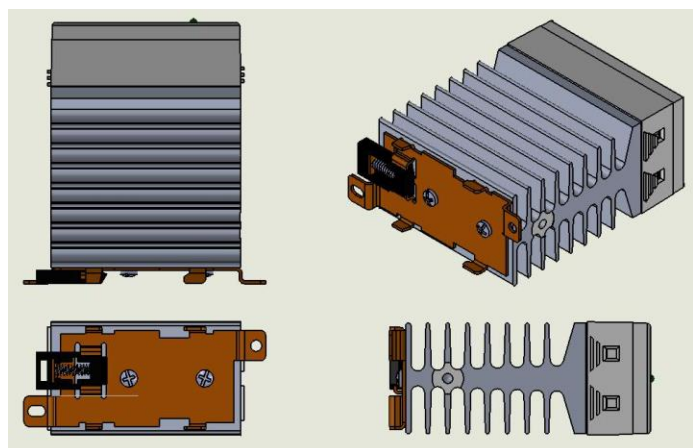
### Description of Changes:

The DIN rail bracket features concerned with attachment to the Din rail (the fixed clips and spring clip), will be modified slightly. Those changes will be “transparent” to the end user. The panel mount portion of the bracket (the end tabs with holes used for panel mounting if desired), will also be modified. With that modification, the mounting holes locations will be shifted slightly. If the CMR is panel mounted, rather than DIN rail mounted, the locations for the corresponding screw holes may need to be adjusted. See pictures below for more details.

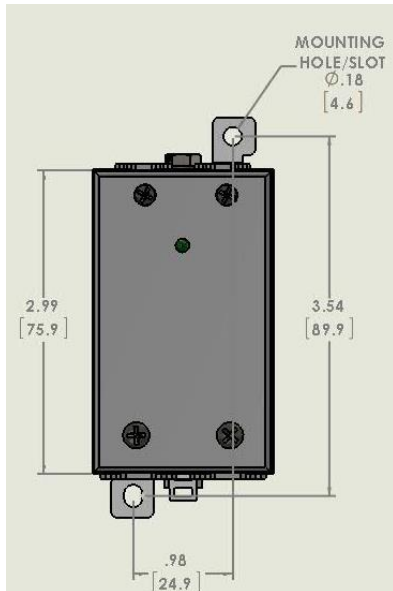
**Existing**



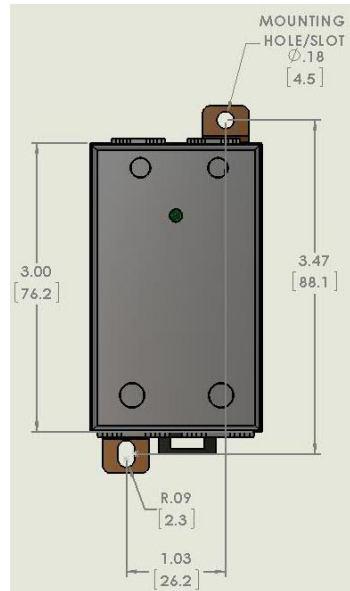
**New**



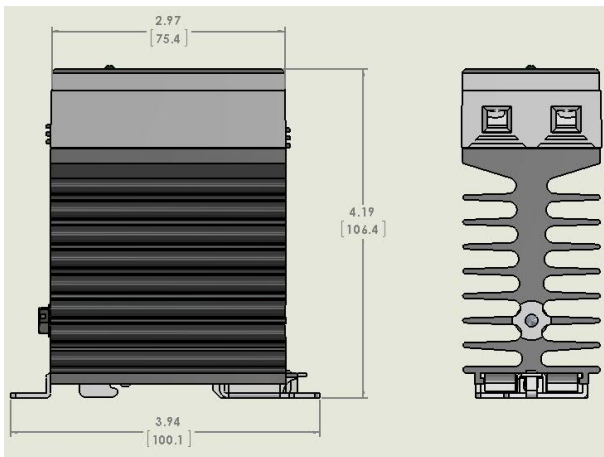
**Existing**



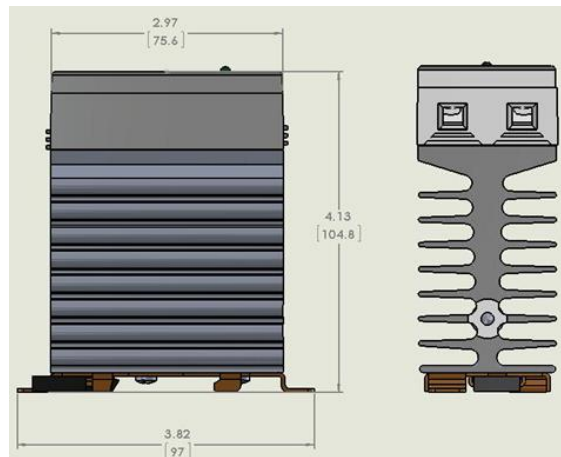
**New**



**Existing**



**New**



**Applicability:**

Design/Specification changes described herein will be applied to all listed Crydom models produced as of the effectivity date indicated in the PCN. All the products with **date code 1512** and beyond will be affected by this modification.



**Products/Models this PCN applies to:**

The devices affected by this manufacturing change are the **CMR Series** solid state relays. No other versions of DIN rail products are affected.

**Last Time Buy Date for old designs:**

October 27<sup>th</sup> 2015.

**Last Ship Date for old designs:**

November 16<sup>th</sup> 2015.

**Stock Returns:**

Standard annual stock rotation and warranty provisions per contract apply. There is no need to return stock.

**Marketing Director**

Alessandro Bosio

A handwritten signature in black ink that reads "Bosio Alessandro".

**Crydom Inc.**

2320 Paseo de las Americas, Suite 201, San Diego, CA 92154  
Tel.: +1 (877) 502 5500 - Fax: +1 (619) 210 1590 - E-mail: sales@crydom.com

[www.crydom.com](http://www.crydom.com)

