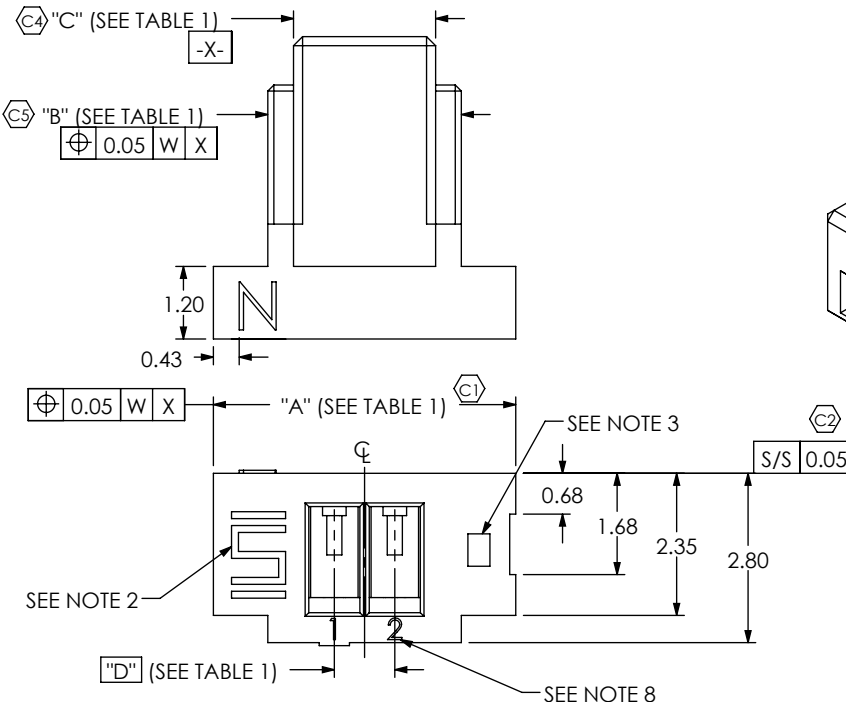
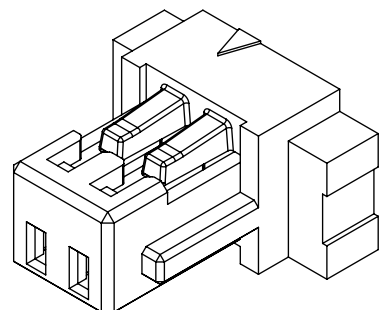


DO NOT SCALE FROM THIS PRINT



DESIGNED & DIMENSIONED IN MILLIMETERS



ISS1-XX-X

ROW SPECIFICATION  
-S: SINGLE ROW

OPTION  
\*-L: LATCH

No OF POSITIONS (PER ROW)  
-02, -03, -04, -05, -06, -07, -08, -09, -10, -11, -12, -13, -14, -15, -16, -17, -18, -19 & -20

\* = NOT TOOLED

NOTES:

1.  $\text{C}$  REPRESENTS A CRITICAL DIMENSION.
2. SAMTEC LOGO SHALL APPEAR AT TWO EQUALLY SPACED LOCATIONS ON SURFACE SHOWN, APPROXIMATELY 1.43 X 0.90.
3. ALL MULTIPLE CAVITY MOLDS SHALL IDENTIFY EACH CAVITY WITH A NUMBER DESIGNATION LOCATED WHERE SHOWN.
4. ALL IDENTIFICATION MARKS MUST NOT STAND GREATER THAN 0.05 OFF THE SURFACE OF THE PART.
5. MOLDED SURFACES SHALL BE CONSISTENT AND SMOOTH. SURFACES TO BE FREE OF SCRATCHES, NICKS, SINK AREAS, VOIDS OR OTHER BLEMISHES.
6. T/B BOW TO BE MEASURED ON BOTH SIDES OF PART IN THE AREA DEFINED.
7. GATE PAD TO BE RECESSED 0.10.
8. SPECIFIED POSITIONS TO BE IDENTIFIED WHERE SHOWN AND TO BE RECESSED 0.050.

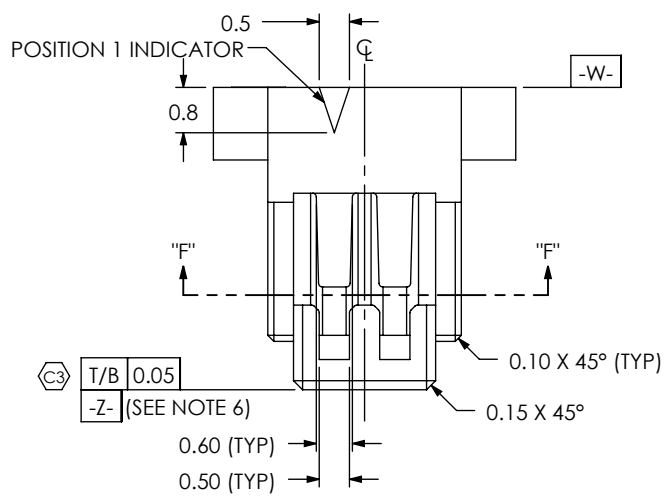
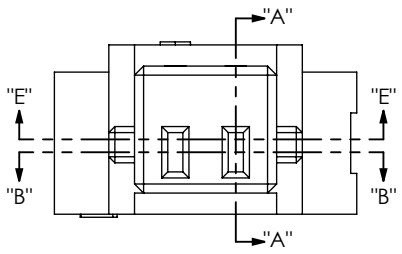
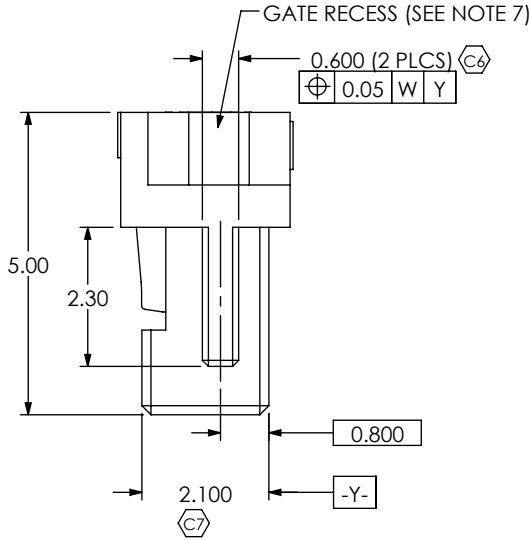


FIG 1  
ISS1-02 SHOWN



UNLESS OTHERWISE SPECIFIED, DIMENSIONS ARE IN MILLIMETERS. TOLERANCES ARE:  
DECIMALS ANGLES  
X.X:  $\pm 0.3$  2°  
X.XX:  $\pm 0.05$   
X.XXX:  $\pm 0.025$

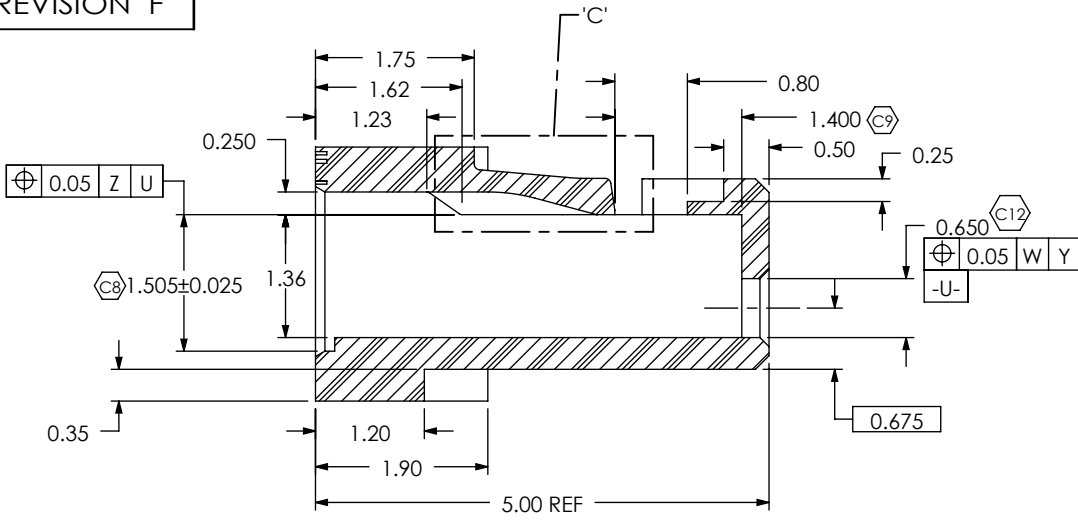
PROPRIETARY NOTE  
THIS DOCUMENT CONTAINS INFORMATION CONFIDENTIAL AND PROPRIETARY TO SAMTEC, INC. AND SHALL NOT BE REPRODUCED OR TRANSFERRED TO OTHER DOCUMENTS OR DISCLOSED TO OTHERS OR USED FOR ANY PURPOSE OTHER THAN THAT WHICH IT WAS OBTAINED WITHOUT THE EXPRESSED WRITTEN CONSENT OF SAMTEC, INC.



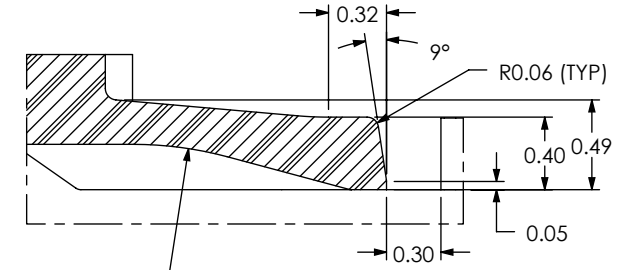
520 PARK EAST BLVD, NEW ALBANY, IN 47150  
PHONE: 812-944-6733 FAX: 812-948-5047  
e-Mail: info@SAMTEC.com code: 55322

MATERIAL: DO NOT SCALE DRAWING SHEET SCALE: 8:1  
DUPONT HTN FR52G30NH BK337, COLOR: BLACK  
MAX REGRIND: 50%  
MAX FLASH ALLOWED: 0.05  
MAX GATE VESTIGE: 0.05  
c:\enterprise\aulf\DWG\MISC\MKTG\ISS1-XX-X-MKT.SLDDRW

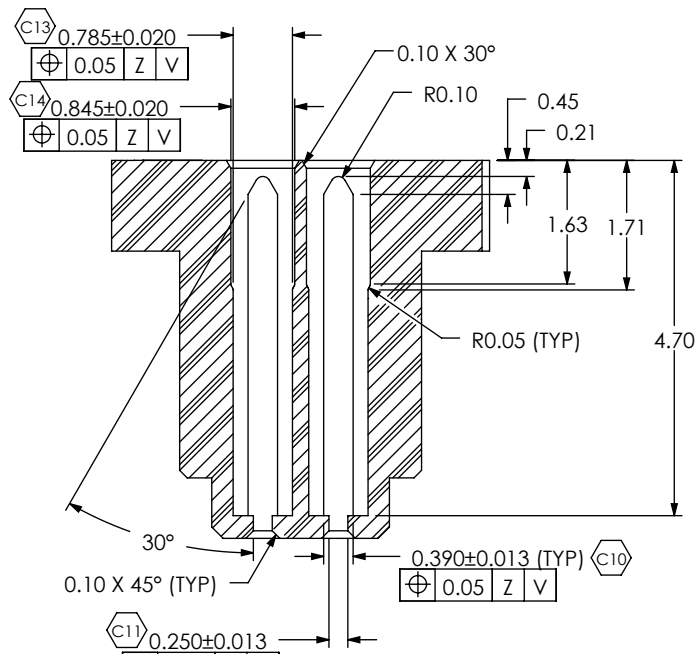
DESCRIPTION: 1.00 MM PITCH S1SX BODY  
DWG. NO. ISS1-XX-X  
BY: VICKY Z 04/15/2010 SHEET 1 OF 3



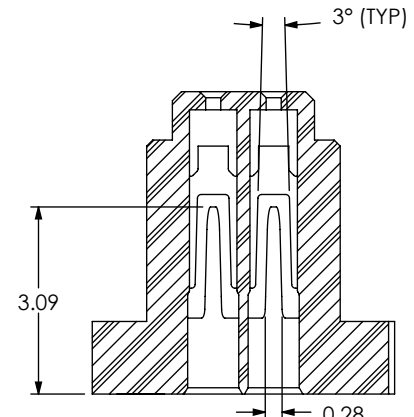
SECTION "A"-"A"  
SCALE 12 : 1



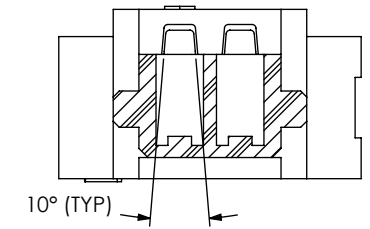
DETAIL 'C'  
SCALE 24 : 1



SECTION "B"-"B"  
SCALE 10 : 1



SECTION "E"-"E"



SECTION "F"-"F"

**PROPRIETARY NOTE**  
THIS DOCUMENT CONTAINS INFORMATION CONFIDENTIAL AND PROPRIETARY TO SAMTEC, INC. AND SHALL NOT BE REPRODUCED OR TRANSFERRED TO OTHER DOCUMENTS OR DISCLOSED TO OTHERS OR USED FOR ANY PURPOSE OTHER THAN THAT WHICH IT WAS OBTAINED WITHOUT THE EXPRESSED WRITTEN CONSENT OF SAMTEC, INC.

DO NOT SCALE DRAWING  
SHEET SCALE: 8:1

**samtec**  
520 PARK EAST BLVD, NEW ALBANY, IN 47150  
PHONE: 812-944-6733 FAX: 812-948-5047  
e-Mail: info@SAMTEC.com code: 55322

DESCRIPTION:  
1.00 MM PITCH S1SX BODY

DWG. NO.  
ISS1-XX-X

BY: VICKY Z 04/15/2010 SHEET 2 OF 3

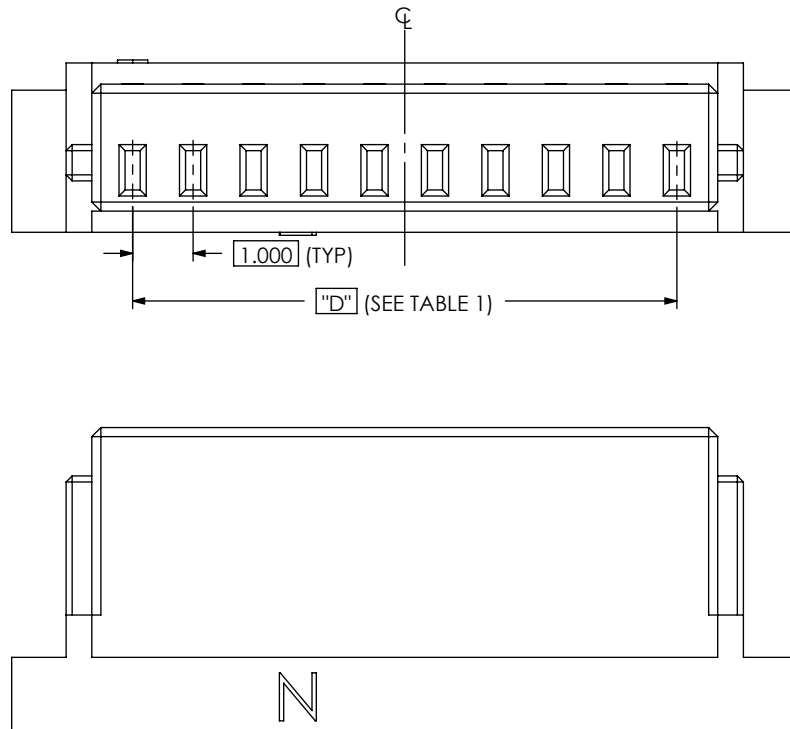
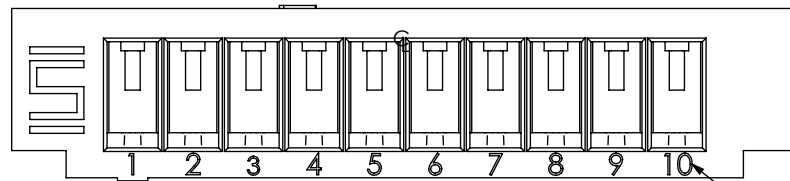



FIG 2  
ISS1-10 SHOWN  
(SAME AS FIG 1, EXCEPT AS SHOWN)



SEE NOTE 8

TABLE 1				
No. OF POS	"A"	"B"	"C"	"D"
-02	5.00	3.200	2.350	1.000
-03	6.00	4.200	3.350	2.000
-04	7.00	5.200	4.350	3.000
-05	8.00	6.200	5.350	4.000
-06	9.00	7.200	6.350	5.000
-07	10.00	8.200	7.350	6.000
-08	11.00	9.200	8.350	7.000
-09	12.00	10.200	9.350	8.000
-10	13.00	11.200	10.350	9.000
-11	14.00	12.200	11.350	10.000
-12	15.00	13.200	12.350	11.000
-13	16.00	14.200	13.350	12.000
-14	17.00	15.200	14.350	13.000
-15	18.00	16.200	15.350	14.000
-16	19.00	17.200	16.350	15.000
-17	20.00	18.200	17.350	16.000
-18	21.00	19.200	18.350	17.000
-19	22.00	20.200	19.350	18.000
-20	23.00	21.200	20.350	19.000

<p><b>PROPRIETARY NOTE</b> THIS DOCUMENT CONTAINS INFORMATION CONFIDENTIAL AND PROPRIETARY TO SAMTEC, INC. AND SHALL NOT BE REPRODUCED OR TRANSFERRED TO OTHER DOCUMENTS OR DISCLOSED TO OTHERS OR USED FOR ANY PURPOSE OTHER THAN THAT WHICH IT WAS OBTAINED WITHOUT THE EXPRESSED WRITTEN CONSENT OF SAMTEC, INC.</p> <p>DO NOT SCALE DRAWING</p> <p>SHEET SCALE: 8:1</p>		
	<p>520 PARK EAST BLVD, NEW ALBANY, IN 47150 PHONE: 812-944-6733 FAX: 812-948-5047 e-Mail: info@SAMTEC.com code: 55322</p>	
	<p>DESCRIPTION: 1.00 MM PITCH S1SX BODY</p>	
	<p>DWG. NO. <b>ISS1-XX-X</b></p>	
	BY: VICKY Z 04/15/2010	SHEET 3 OF 3