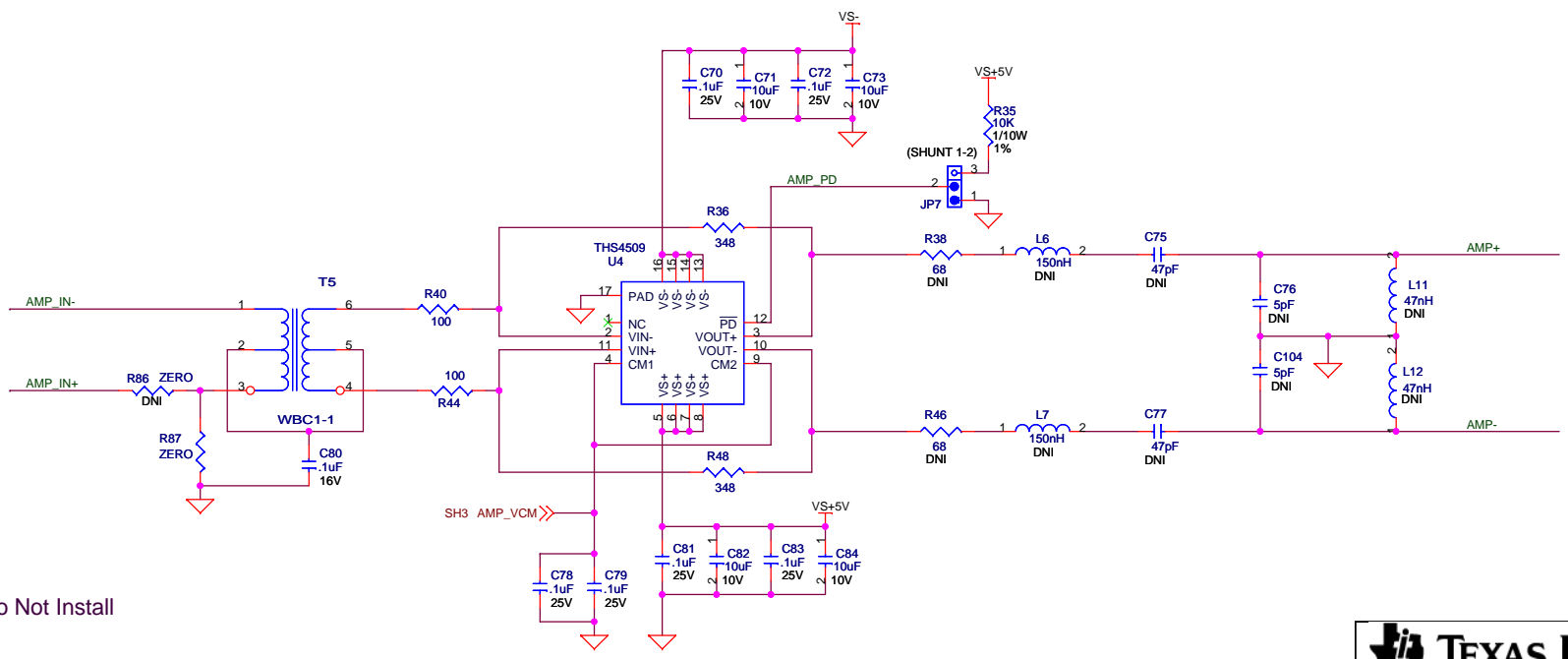


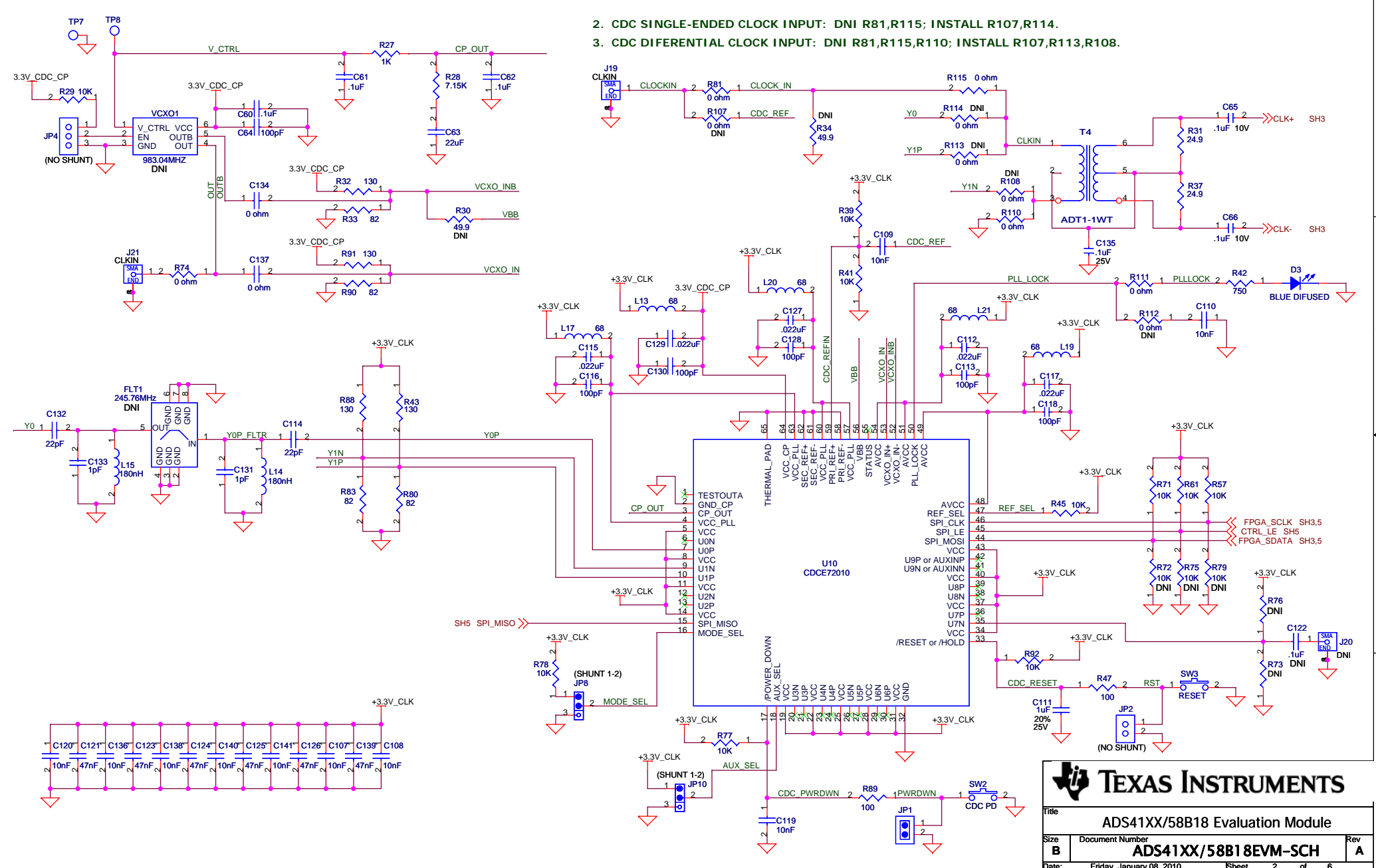
NOTE 1:
DNI for ADS41BXX and ADS58B18



DNI: Do Not Install

TEXAS INSTRUMENTS

Title		
ADS41XX/58B18 Evaluation Module		
Size	Document Number	Rev
B	ADS41XX/58B18EVM-SCH	A
Date:	Friday, January 08, 2010	Sheet 1 of 6



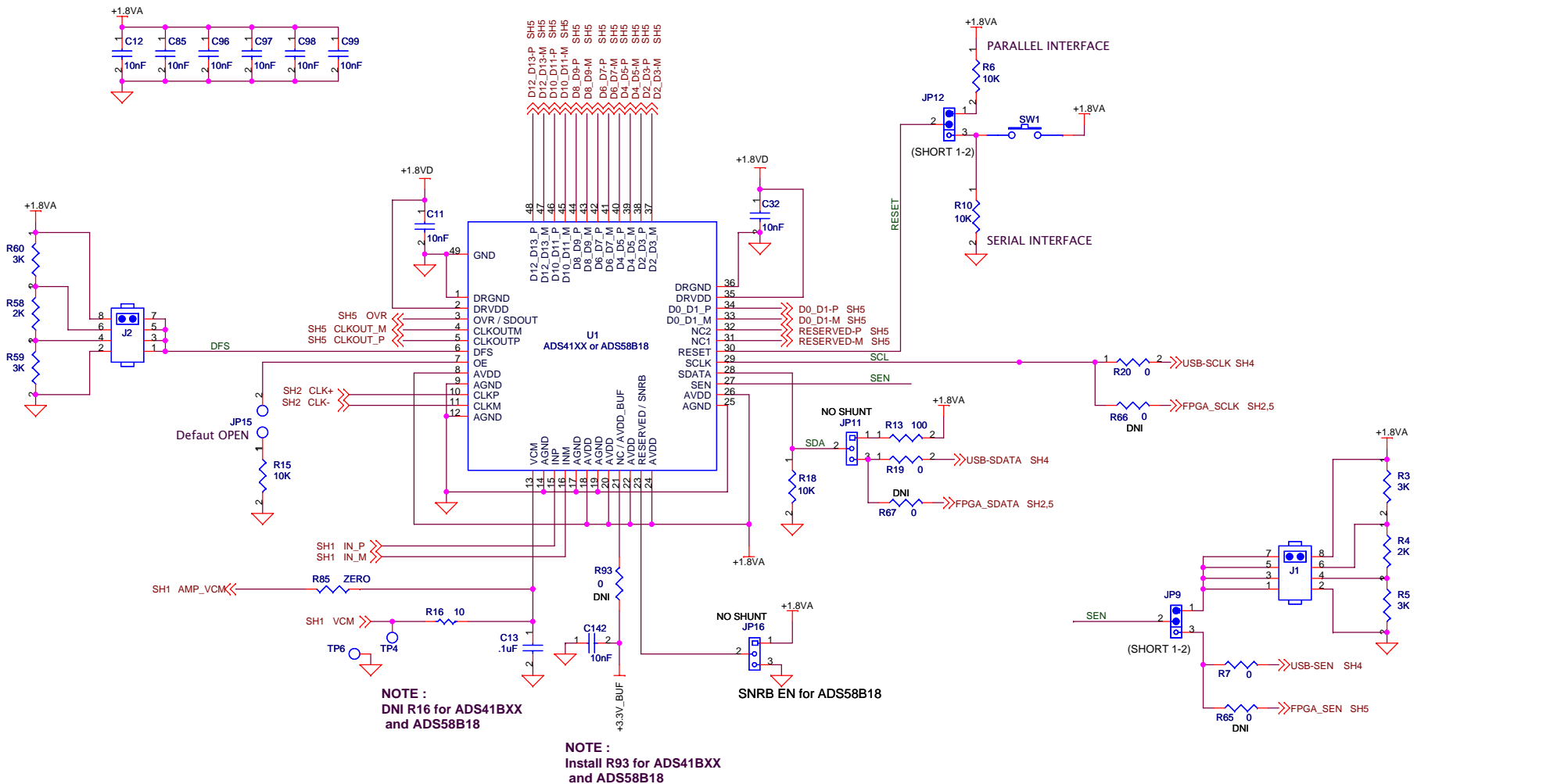
2. CDC SINGLE-ENDED CLOCK INPUT: DNI R81,R115; INSTALL R107,R114.
 3. CDC DIFFERENTIAL CLOCK INPUT: DNI R81,R115,R110; INSTALL R107,R113,R108.

TEXAS INSTRUMENTS

Title: **ADS41XX/58B18 Evaluation Module**

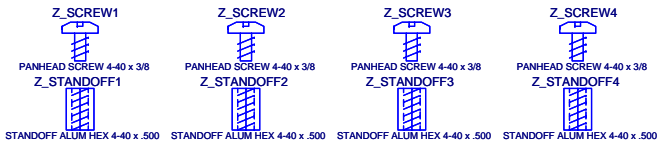
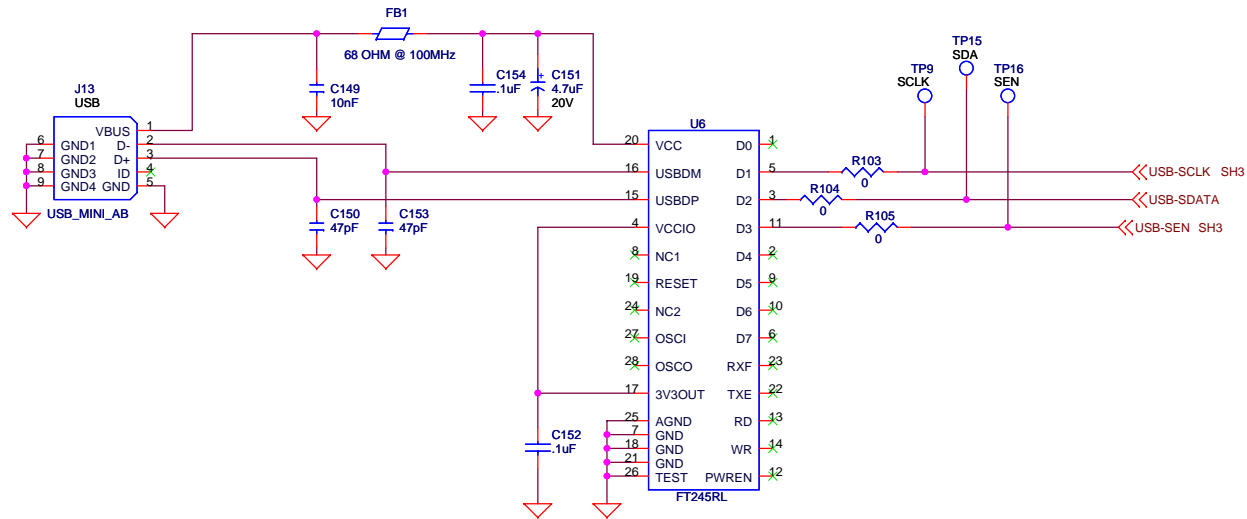
Size **B** Document Number **ADS41XX/58B18EVM-SCH** Rev **A**

Date: Friday, January 08, 2010 Sheet 2 of 6



TEXAS INSTRUMENTS

Title ADS41XX/58B18 Evaluation Module		
Size B	Document Number ADS41XX/58B18EVM-SCH	Rev A
Date: Monday, November 16, 2009	Sheet 3	of 6

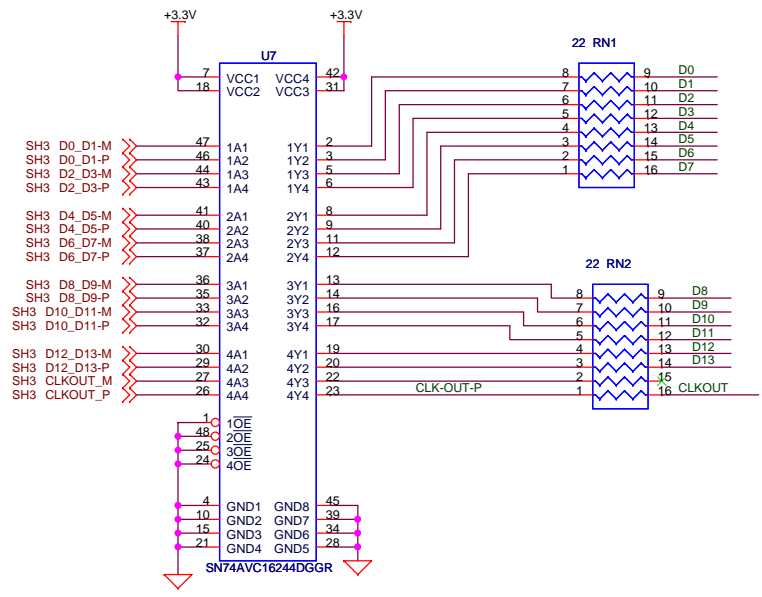
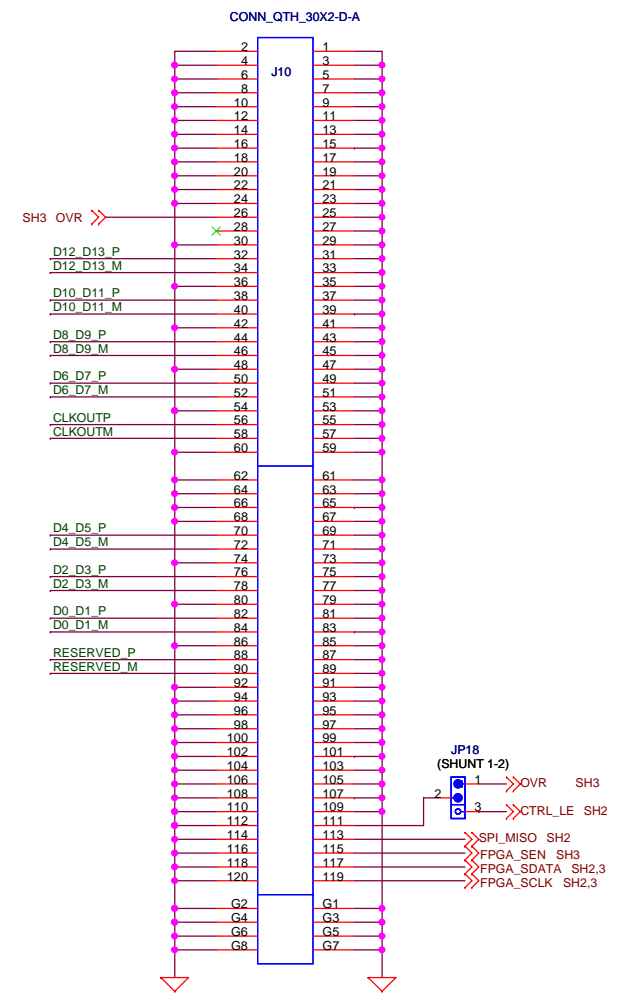
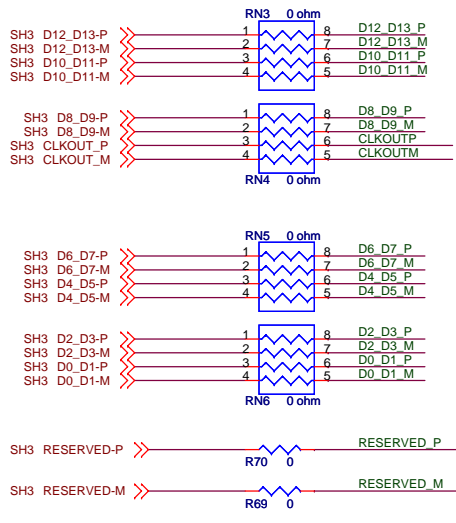
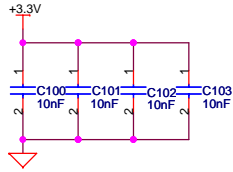


TEXAS INSTRUMENTS

Title: ADS41XX/58B18 Evaluation Module

Size: B Document Number: ADS41XX/58B18EVM-SCH Rev: A

Date: Thursday, October 29, 2009 Sheet: 4 of 6

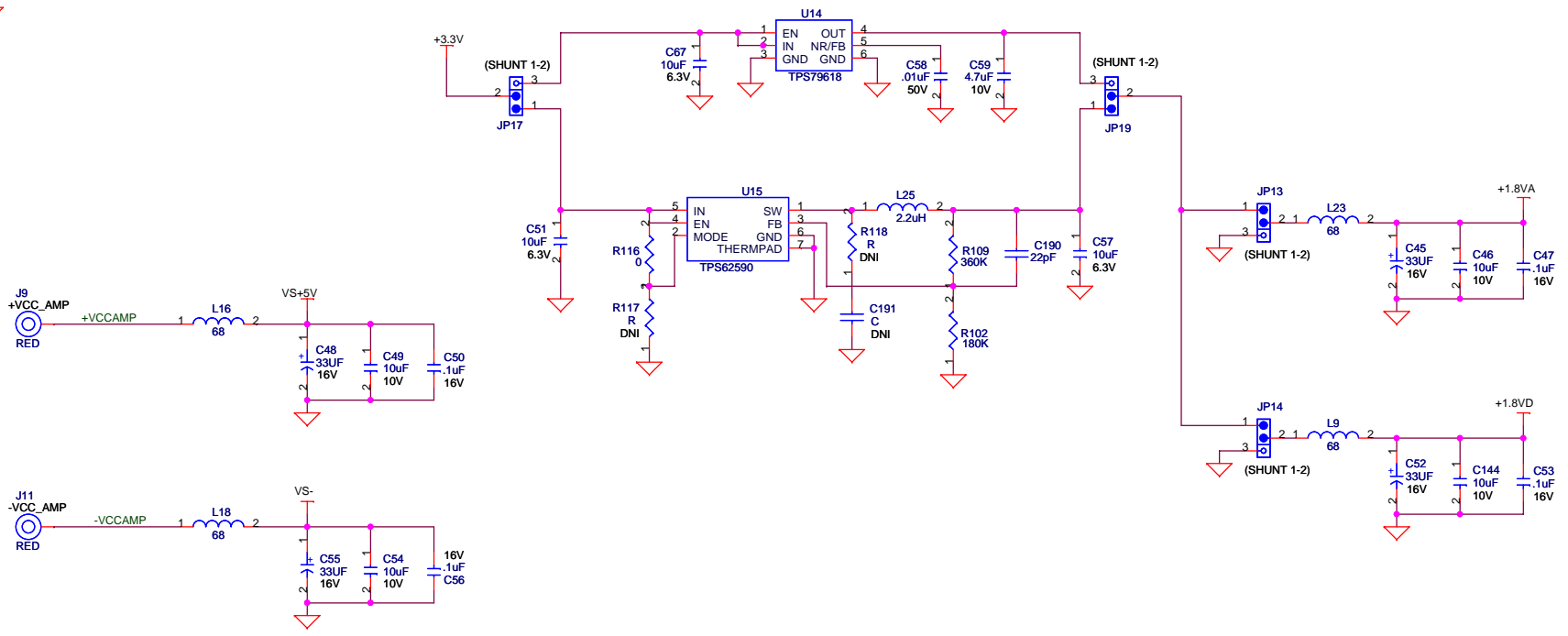
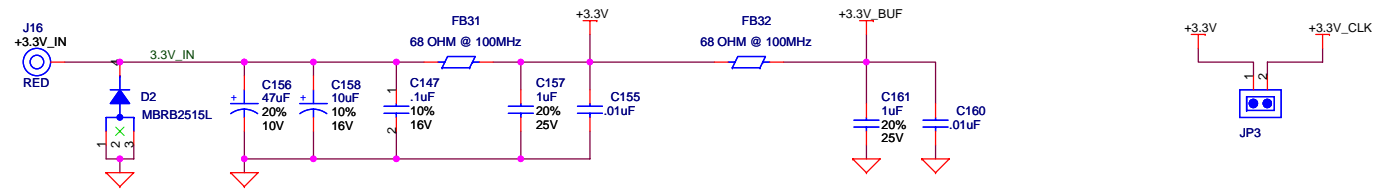


TEXAS INSTRUMENTS

Title: ADS41XX/58B18 Evaluation Module

Size B Document Number: ADS41XX/58B18EVM-SCH Rev A

Date: Saturday, October 31, 2009 Sheet 5 of 6



TEXAS INSTRUMENTS

Title		
ADS41XX/58B18 Evaluation Module		
Size	Document Number	Rev
B	ADS41XX/58B18EVM-SCH	A
Date:	Friday, October 30, 2009	Sheet 6 of 6