

Business Unit: HARTING Customized Solutions **PCN/20/012/PM+MD-US**

Product range: M12 Locking Nut Date: 2020-10-28

Title: Modification of the Locking Nut for M12 PFT Products Page 1/3

Details of the Product Changes

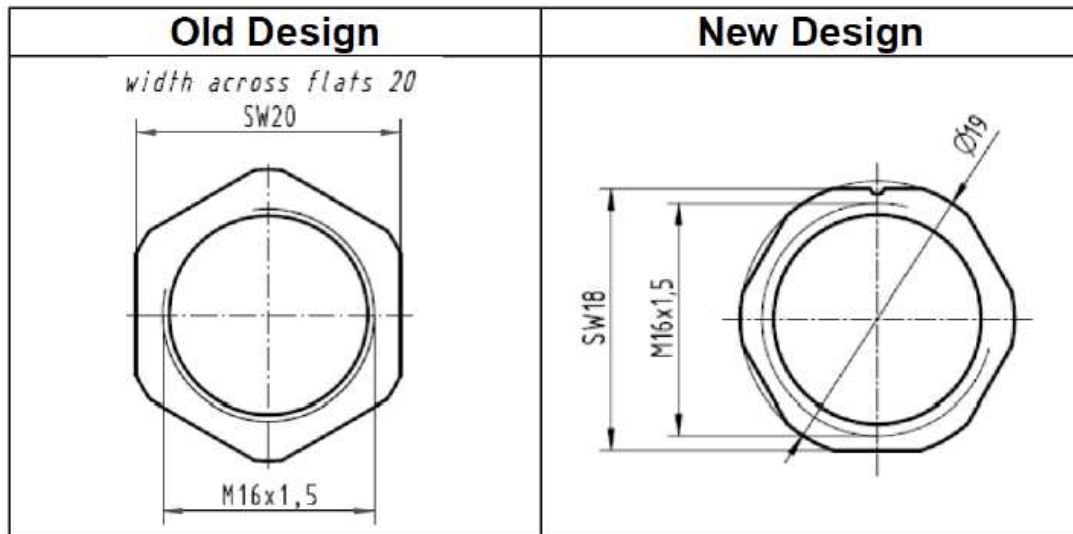
1. Affected Part Numbers

21033111402, 21033111409, 21033111410, 21033111501, 21033112400,
 21033112403, 21033112501, 21033711403, 21033711404, 21033711405,
 21033712403, 21033712404, 21033712416

Please refer to the appendix section of this document for more details.

2. Description of the Change

Width reduction of the lock nut flat area from 20 mm to 18 mm.



 <p>HARTING Pushing Performance</p>	<p>HARTING Product Change Notification</p>	<p>PCN</p>
---	--	-------------------

3. Impact on the Product Specification

This change does not have an impact on fit, form or function of the products. A different assembly tool size needs to be selected to accommodate the new dimension.

4. Scheduled Date of Implementation

With immediate effect. Mixed shipments of old and new designs are possible.

5. Identification of Change

There will be a new revision level created for each part number.

In case of questions or concerns, please do not hesitate to contact our technical support.

Technical Support E-mail: TechSupportUS@HARTING.com

Technical Support Phone Number: **866-278-0306** (Select option 3 for technical support).

Appendix:

Part Number	Description
21033111402	M12 panel feed-through A-coded 4-pole male M16x1,5
21033111409	M12 PFT male 4-pole A-coded M16x1,5
21033111410	M12 PFT male 4-pole A-coded M16x1,5
21033111501	M12 panel feed-through A-coded 5-pole male M16x1,5
21033112400	M12 panel feed-through A-coded 4-pole female M16x1,5
21033112403	M12 PFT female 4-pole A-coded M16x1,5
21033112501	M12 panel feed-through A-coded 5-pole female M16x1,5
21033711403	M12 panel feed-through D-coded 4-pole male M16x1,5
21033711404	M12 PFT male 4-pole D-coded M16x1,5
21033711405	M12 PFT male 4-pole D-coded M16x1,5
21033712403	M12 panel feed-through D-coded 4-pole female M16x1,5
21033712404	M12 PFT female 4-pole D-coded M16x1,5
21033712416	M12 PFT female 4-pole D-coded M16x1,5