

Keywords: channel, per-channel, loopback, framer

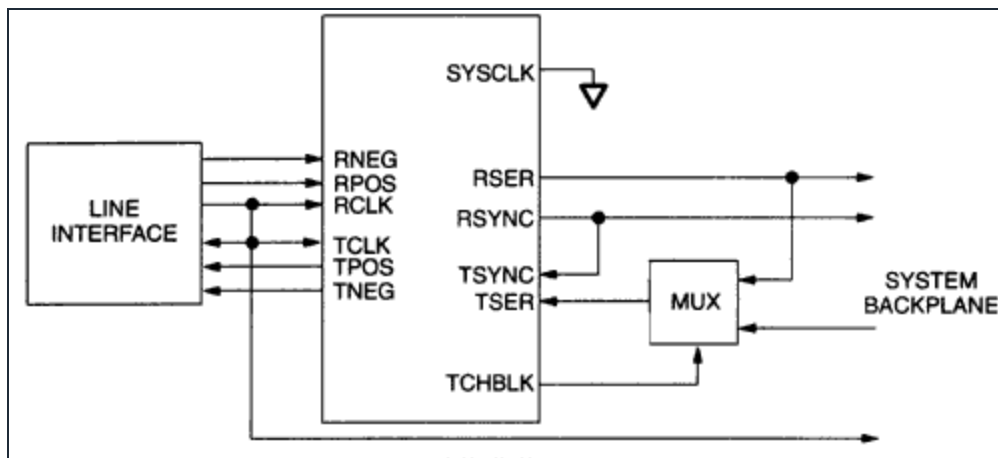
APPLICATION NOTE 314

DS2141A, DS2142, DS2151, DS2153 Per-Channel Loopback

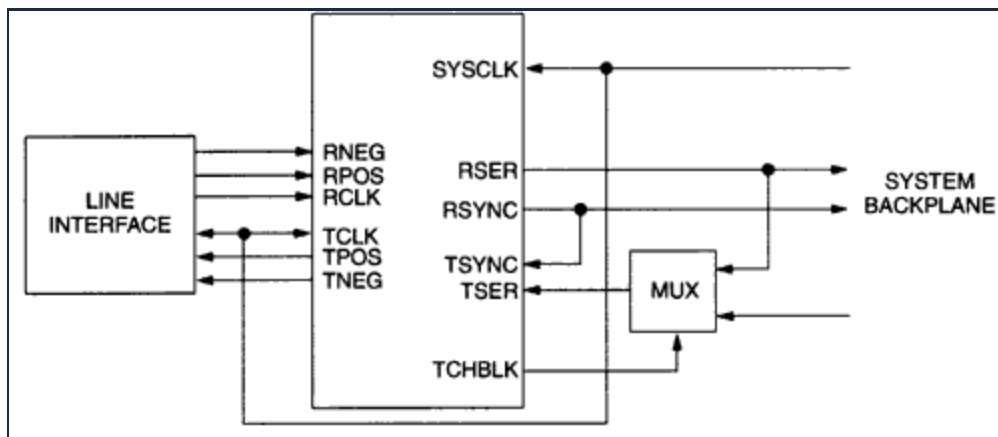
May 07, 2001

Abstract: Application note 314 provides the design requirements for implementing a per-channel loopback application using the Dallas Semiconductor/Maxim DS2141A, DS2142, DS2151, or DS2153.

With Elastic Store Disabled DS2141A/DS2143/DS2151/DS2153



With Elastic Store Disabled DS2141A/DS2143/DS2151/DS2153



Notes:

1. The TCHBLK signal is used to control a 2:1 multiplexer which will select which channels (if any) are to be lopped back to the network.
2. In DS2151 and DS2153 applications, the line interface is included onboard the devices.

Related Parts[DS2141A](#)T1 Controller

More InformationFor Technical Support: <http://www.maximintegrated.com/support>For Samples: <http://www.maximintegrated.com/samples>Other Questions and Comments: <http://www.maximintegrated.com/contact>Application Note 314: <http://www.maximintegrated.com/an314>

APPLICATION NOTE 314, AN314, AN 314, APP314, Appnote314, Appnote 314

Copyright © by Maxim Integrated Products

Additional Legal Notices: <http://www.maximintegrated.com/legal>