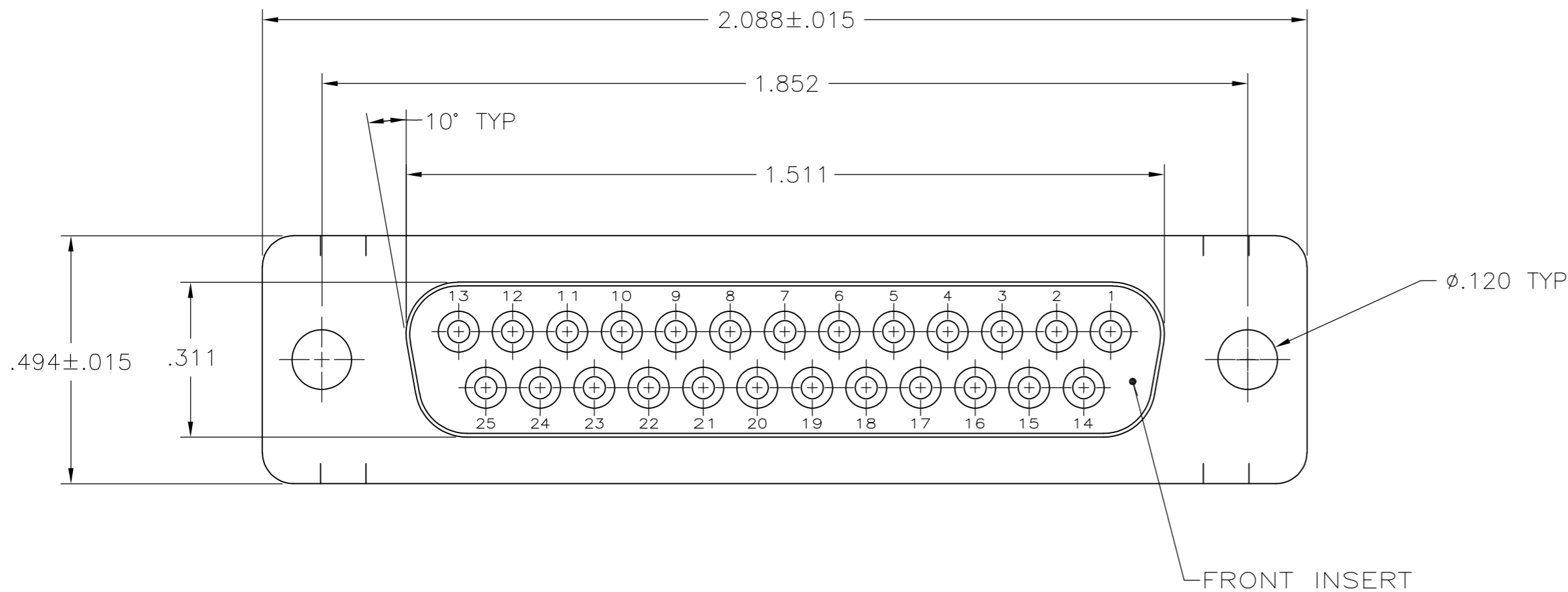
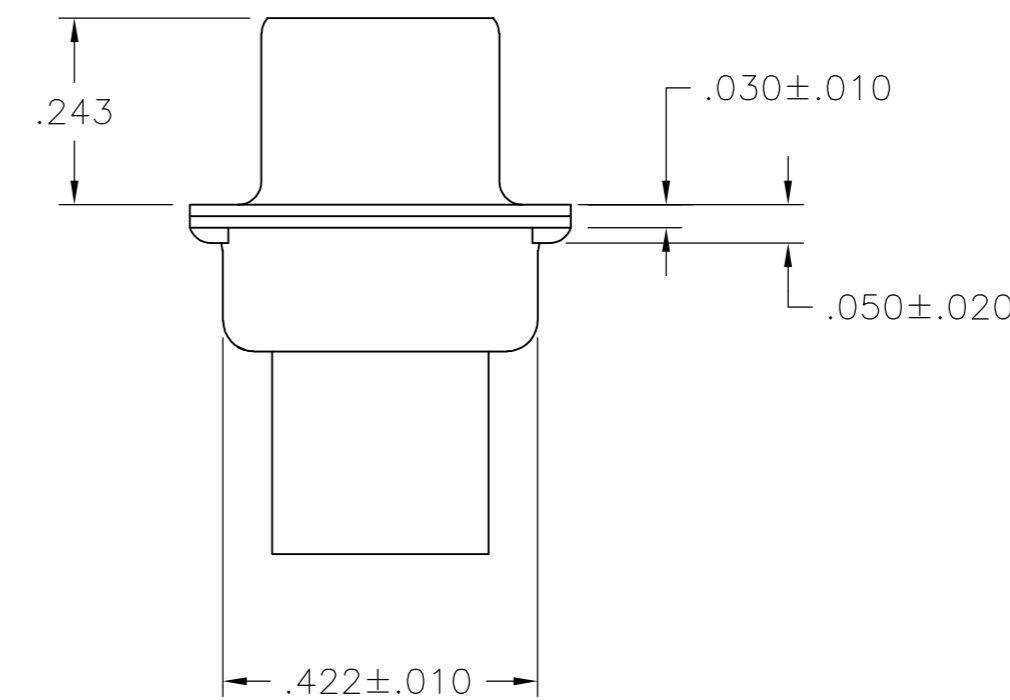
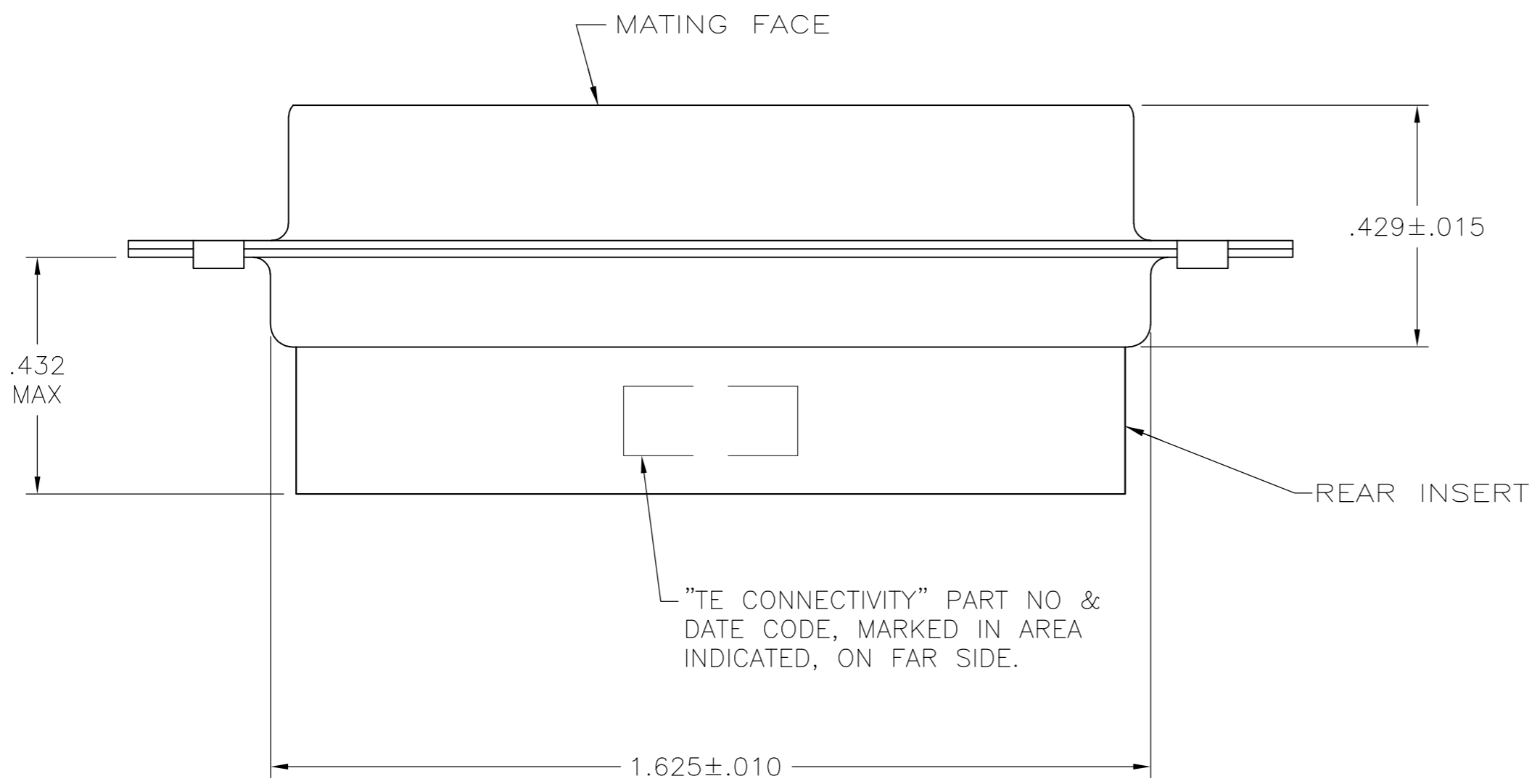


THIS DRAWING IS UNPUBLISHED. RELEASED FOR PUBLICATION
 © COPYRIGHT - By - ALL RIGHTS RESERVED.

LOC		DIST		REVISIONS			
P	LTR	DESCRIPTION	DATE	DWN	APVD		
GP	00	R	REVISED PER ECO-14-011808	09AUG2014	AP	SB	



- CONNECTOR ACCEPTS SIZE 20 DF SOCKET CONTACTS, RETENTION TINES ARE AN INTEGRAL PART OF INSERT.
- CONNECTOR COMPLIES WITH AMP SPEC. 108-40005 WHERE APPLICABLE.
- MATERIAL:**
 INSERTS: GLASS-FILLED PBT OR GLASS-FILLED NYLON, UL94V-0 RATED.
 COLOR: BLACK
 SHELLS: STEEL.
- FINISH:**
 SHELLS: ZINC PLATED .000200-.000400 THICK, YELLOW CHROMATE COATING.
- OBSOLETE PARTS:** OBSOLETE CIS STREAMLINING PER D.RENAUD/D.SINISI



5 OBSOLETE	SMALL PACK	5205207-4
	STANDARD	5205207-1
	PACKAGING TYPE	PART NUMBER

THIS DRAWING IS A CONTROLLED DOCUMENT.		DWN	B. MCMASTER	08SEP05		TE Connectivity		
DIMENSIONS: INCHES		CHK	C. ROHDE	08SEP05		RECEPTACLE CONNECTOR, SIZE 3, 25 POS., AMPLIMITE HDP		
TOLERANCES UNLESS OTHERWISE SPECIFIED:		APVD	M. WALMSLEY	08SEP05		SIZE	CAGE CODE	DRAWING NO
0 PLC ± - 1 PLC ± - 2 PLC ± - 3 PLC ± .005 4 PLC ± - ANGLES ± 2°		PRODUCT SPEC	-			A2	00779	C=5205207
MATERIAL		FINISH	-		WEIGHT	-		
3		4		CUSTOMER DRAWING		SCALE	NTS	
				SHEET		1 of 1		
				REV		R		

5205207