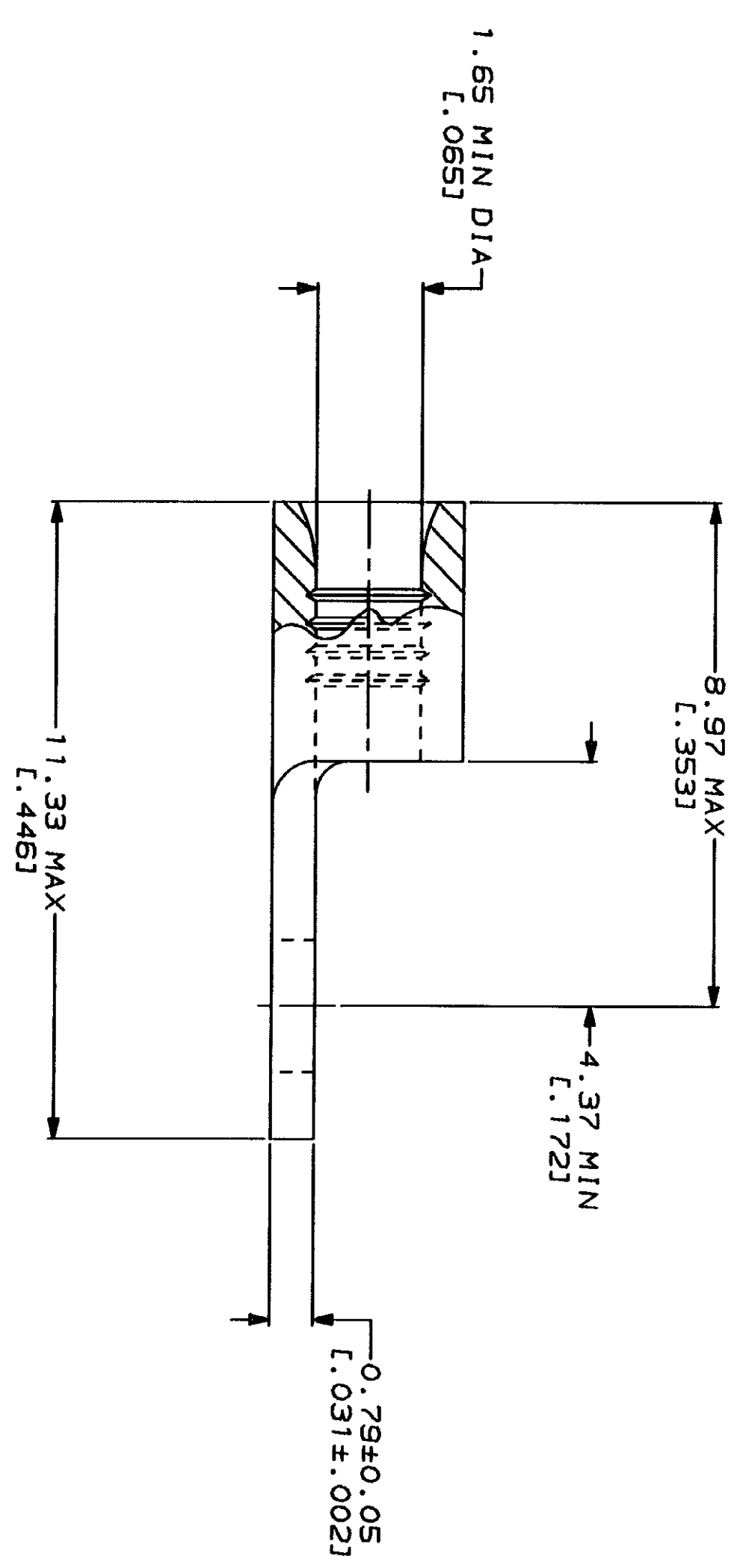
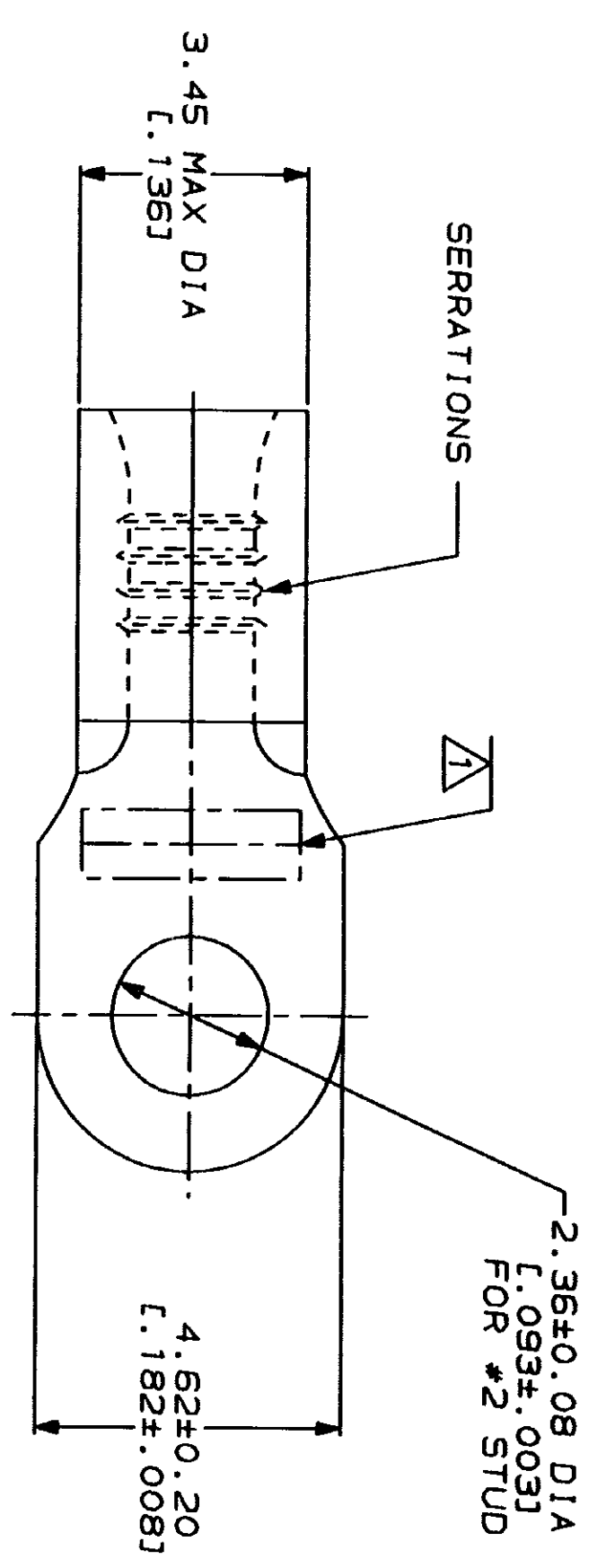
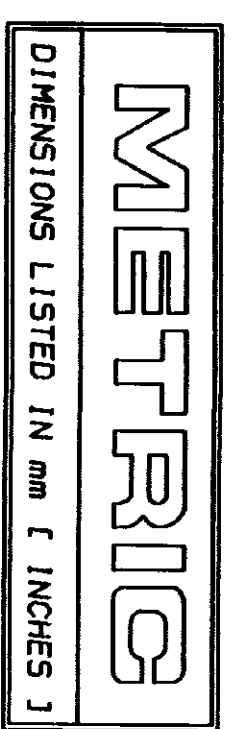


LOC	DISP	REV	DATE	APP'D
G	14			
REVISIONS				
			DESCRIPTION	
			REVISED PER 0720-0230-93	
			2/28/94	AMP



AMP WIRE RANGE	IL E13288 Listed
22-16 AWG STRANDED	22-16 AWG STRANDED
LR7189 Certified	MILITARY P/N AND CLASS
NOT CERTIFIED	NOT APPLICABLE

STAMP AMP 22-18\* APPROX AS SHOWN  
 22-16 TERMINALS ARE STAMPED 22-18 IN  
 ACCORDANCE WITH MILITARY SPECIFICATION  
 MIL-T-7928, COMMERCIAL WIRE RANGE IS 22-16

AMP INCORPORATED  
 CUSTOMER SERVICE SYSTEMS

FOR ADDITIONAL  
 PRODUCT INFORMATION OR  
 COPIES OF DRAWINGS  
 AND TECHNICAL DOCUMENTS  
 1-800-522-6752

FOR APPLICATION  
 TOOLING INFORMATION  
 1-800-722-1111

FOR ORDER ENTRY  
 1-800-526-5142

MAX RECOMMENDED OPERATING  
 TEMPERATURE:  
 170°C MAX

VOLTAGE RATING:  
 NOT APPLICABLE

WIRE CROSS SECTIONAL AREA RANGE:  
 0.26-1.65mm<sup>2</sup> [509-3,260] CIR MILS  
 STRANDED

DO NOT SCALE PRINT.  
 UNLESS SPECIFIED  
 DIMENSIONS IN INCHES  
 TOLERANCES ON:  
 2 PLG DEC ± .005  
 3 PLG DEC ± .002  
 ANGLES  
 MATERIAL  
 COPPER PER  
 ASTM B-152  
 ANNEALED

DR 2-2-93  
 TA BRILKMAN  
 CHK 2-2-93  
 DA PATTERSON  
 APPD 2-2-93  
 DE MILLER  
 APPD 2-2-93  
 JL NECKLEY  
 PRODUCT SPEC

AMP  
 Amp Incorporated  
 Harrisburg, PA 17105-3608

TERMINAL, RING TONGUE,  
 BUDGET

FINISH  
 TIN PLATE  
 0.00254 [L.000100J] MIN  
 THK PER MIL-T-10727

APPLICATION SPEC  
 WEIGHT

NAME  
 SIZE  
 CAGE CODE  
 00779  
 DRAWING NO  
 C-320677

320677  
 PART NO

320677