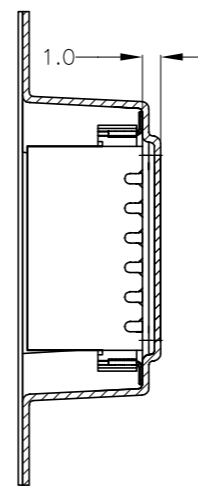
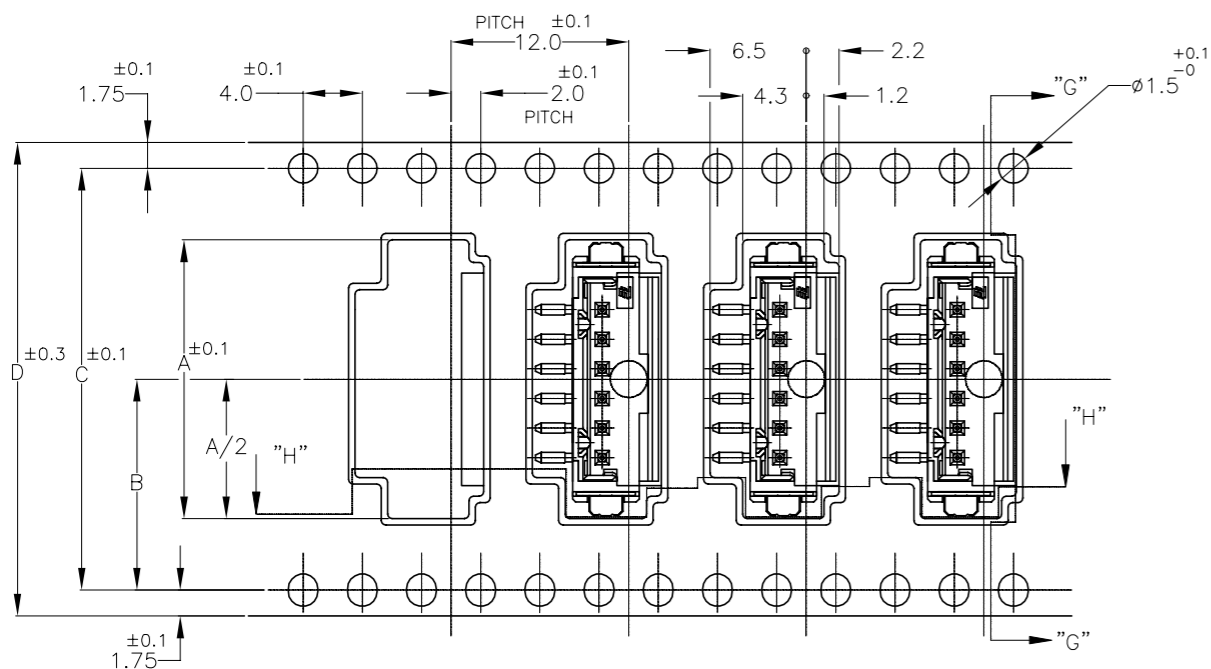
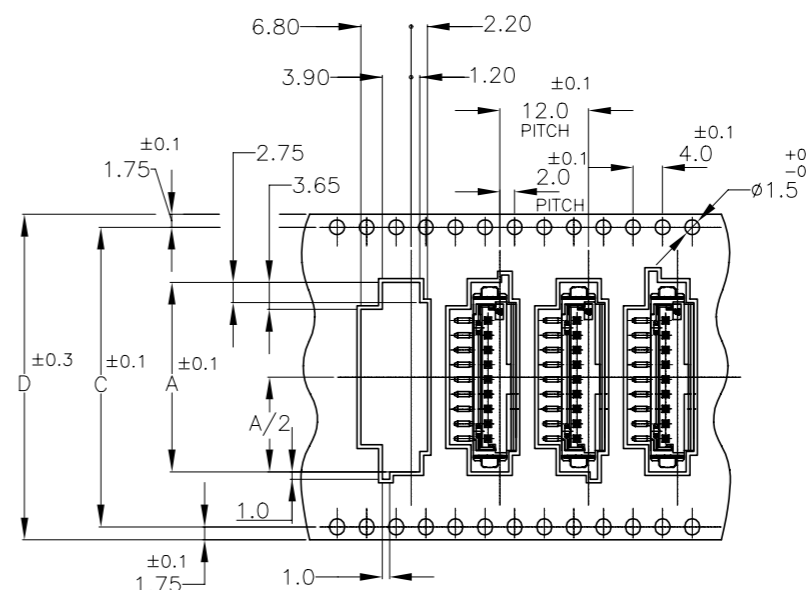


P	LTR	DESCRIPTION	DATE	DWN	APVD
B4	ECR-22-127164		25JAN2022	T.Q	N.S

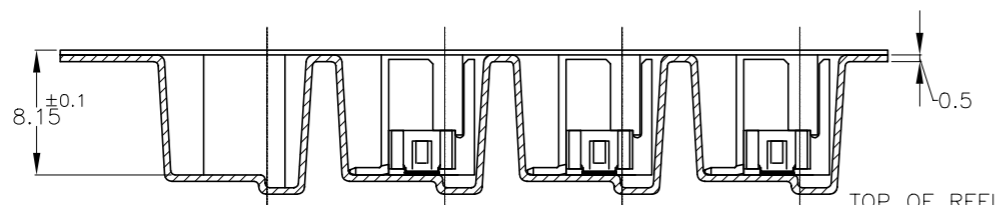
(AS SHOWN : -6)



SECT "G"-G"



9P ONLY



SECT "H"-H"

TOP OF REEL

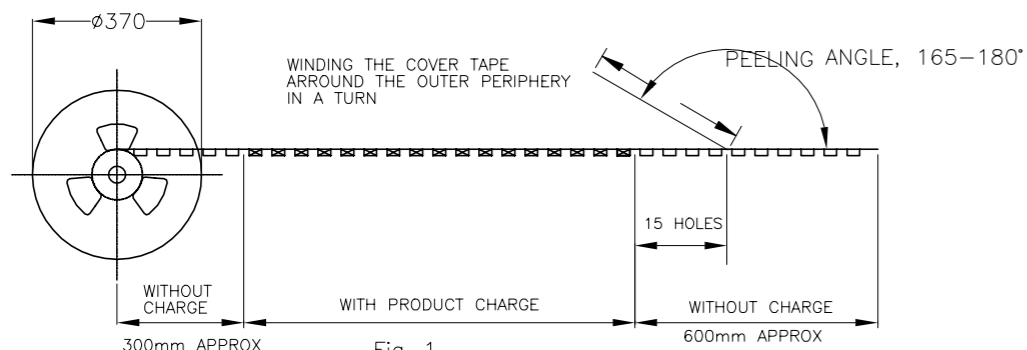


Fig-1

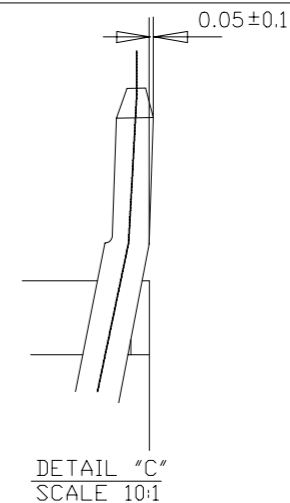
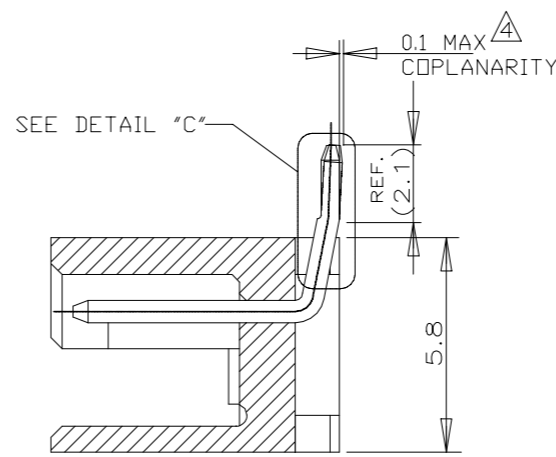
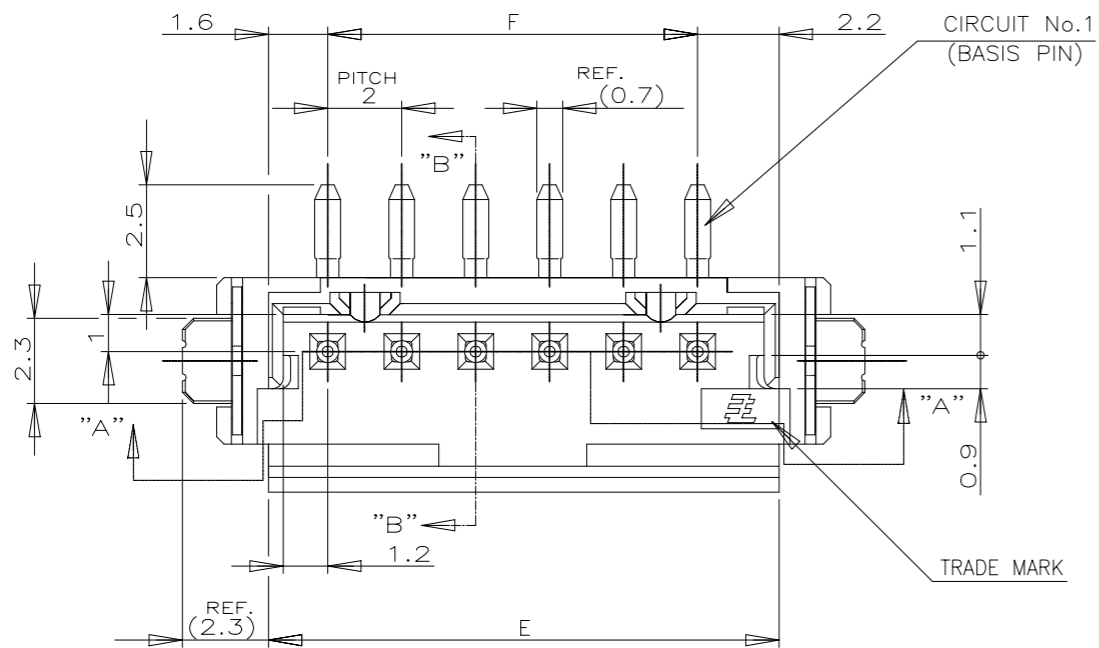
NOTES:
1. PEELING RESISTANCE: 0.196N(20gf)-0.686N(70gf)
SPEED: 300mm/min

TOLERANCE UNLESS OTHERWISE SPECIFIED
10>* :±0.2
30>*10 :±0.25
100>*30 :±0.3
ANGLE :±3°

THIS DRAWING IS A CONTROLLED DOCUMENT.		DWN JACH HOU 19SEP10	TE Connectivity Ltd.		
DIMENSIONS: mm		CHK MARTIN LI 19SEP10			
TOLERANCES UNLESS OTHERWISE SPECIFIED:		APVD STEVEN YAO 19SEP10	NAME		
0 PLC ±		PRODUCT SPEC	EMBOSS		
1 PLC ±		APPLICATION SPEC	CT HEADER ASSY		
2 PLC ±		108-60016	BOX V SMT		
3 PLC ±		WEIGHT	SIZE A3	CAGE CODE 00779	DRAWING NO C=292175
4 PLC ±		CUSTOMER DRAWING	RESTRICTED TO		
ANGLES ±			SCALE N/A	SHEET 1 OF 3	REV B4
MATERIAL		FINISH			

COLOR	PLATE	D	C	B	A	QTY/REEL	POS	TAPING P/N
BLACK		44.0	40.50	20.25	25.60	9	2-292175-9	
		44.0	40.4	20.2	22.9	8	2-	-8
		32.0	28.4	14.2	20.9	7	2-	-7
		32.0	28.4	14.2	18.9	6	2-	-6
		32.0	28.4	14.2	16.9	5	2-	-5
		32.0	28.4	14.2	14.9	4	2-	-4
		32.0	28.4	14.2	12.9	3	2-	-3
NATURAL	WITH	32.0	28.4	14.2	10.9	700	2	2-292175-2
		44.0	40.50	20.25	25.60	9	292175-9	
		44.0	40.4	20.2	22.9	8		-8
		32.0	28.4	14.2	20.9	7		-7
		32.0	28.4	14.2	18.9	6		-6
		32.0	28.4	14.2	16.9	5		-5
		32.0	28.4	14.2	14.9	4		-4
	32.0	28.4	14.2	12.9	3		-3	
WITH	32.0	28.4	14.2	10.9	700	2	292175-2	

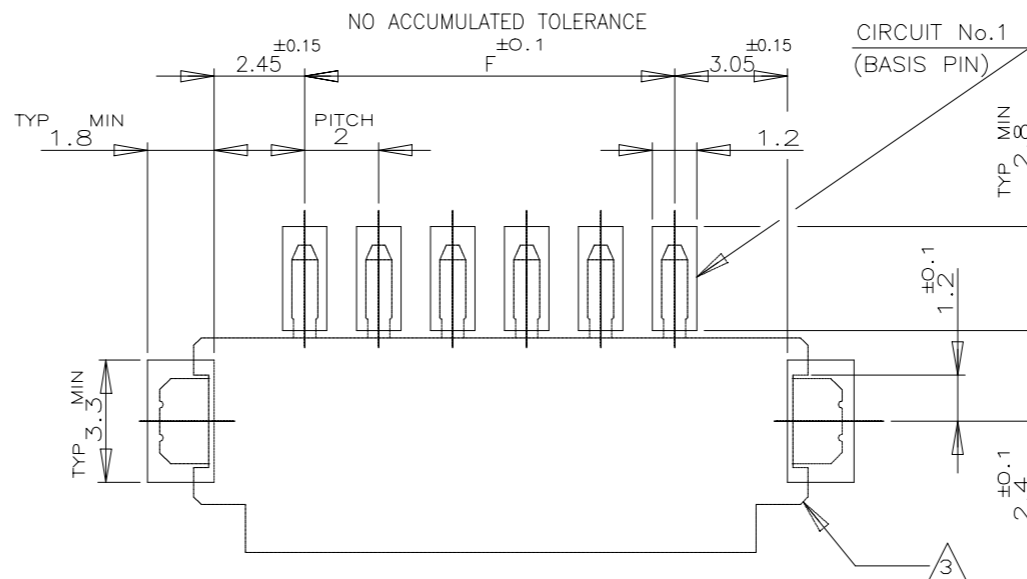
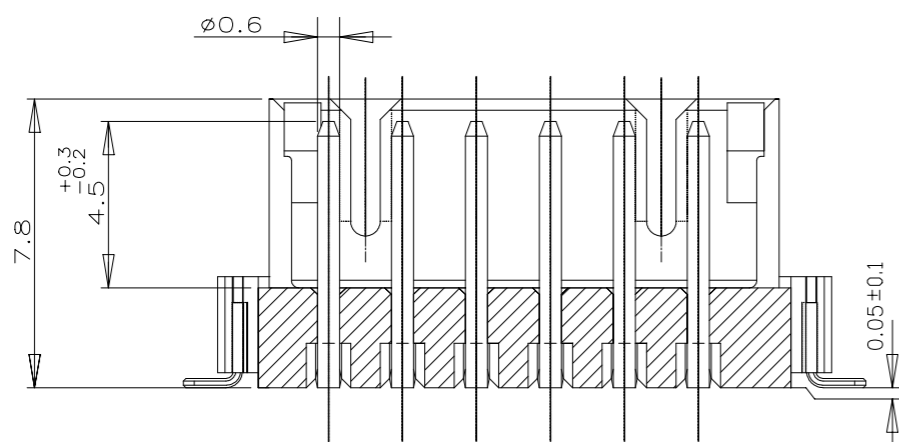
P	LTR	DESCRIPTION	DATE	DWN	APVD
-	-	SEE SHEET 1	-	-	-



NOTES;

- 2. MATERIAL:HSG-NYLON (UL94V-0)
COLOR:NATURAL,BLACK
POST:TIN BRASS
TAIL: TIN BRASS

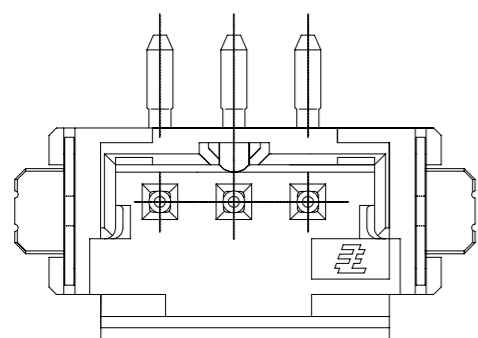
- △ OCCUPANT AREA ON PC BOARD
- △ TO BE MEASURED WITH CONNECTOR PLACED ON HORIZONTAL DATUM SURFACE,FLOAT OF SOLDER TINE AND TAIL FROM DATUM SURFACE IS 0.1mm MAX



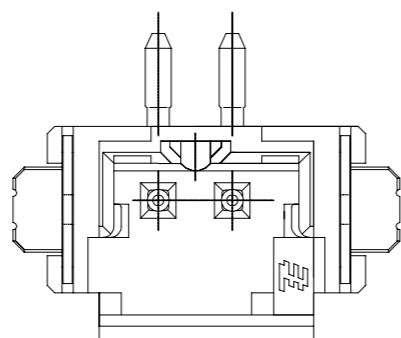
SECT "A"-A"

RECOMMENDED P.C. BOARD LAYOUT
(P.C.B THK:0.8mm MIN)

16.0	19.8	9	2-292175-9	292175-9
14.0	17.8	8	2-▲-8	▲-8
12.0	15.8	7	2-▲-7	▲-7
10.0	13.8	6	2-▲-6	▲-6
8.0	11.8	5	2-▲-5	▲-5
6.0	9.8	4	2-▲-4	▲-4
4.0	7.8	3	2-▲-3	▲-3
2.0	5.8	2	2-292175-2	292175-2
F	E	POS.	BLACK	NATURAL
P/N				



3 P

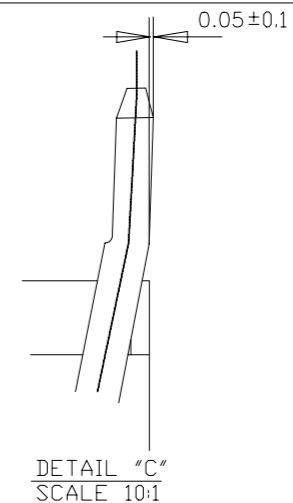
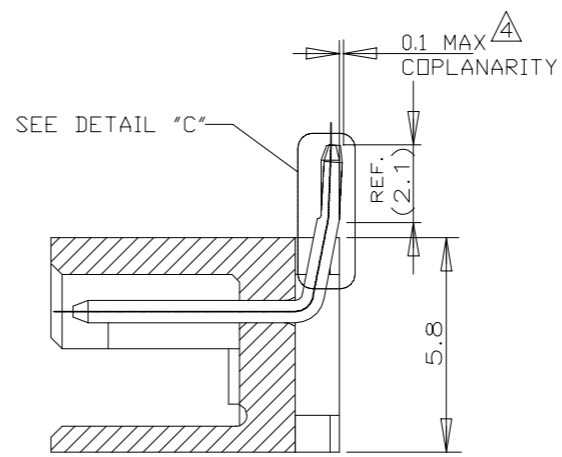
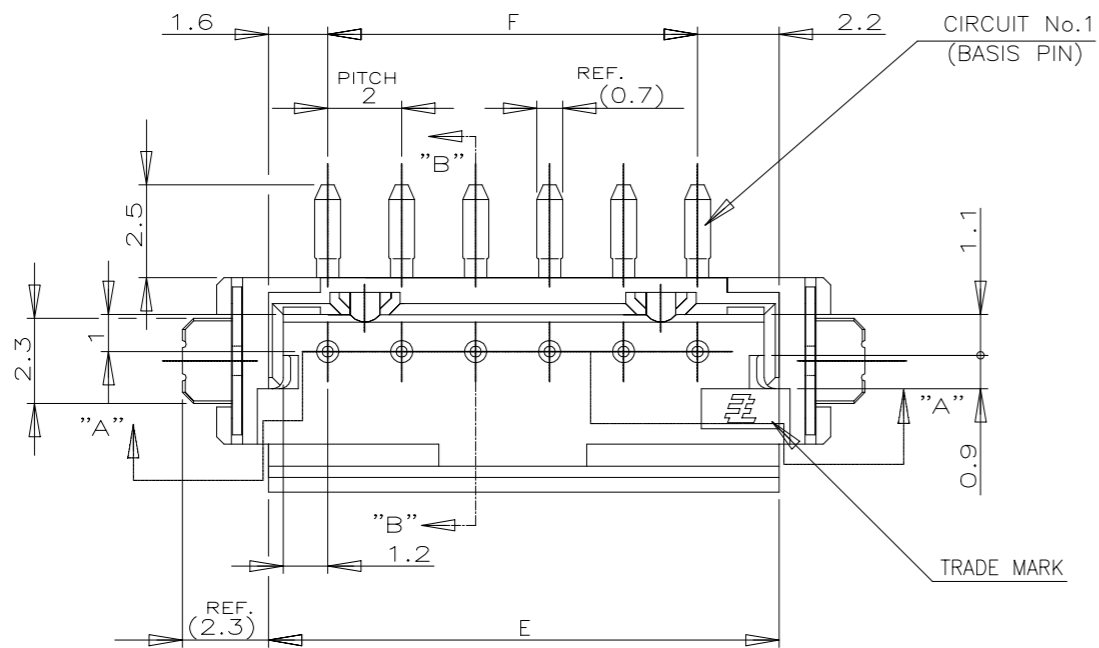


2 P

TOLERANCES UNLESS OTHERWISE SPECIFIED:
10»* : ±0.2
30»*>10 : ±0.25
100»*>30 : ±0.3
ANGEL : ±3°

THIS DRAWING IS A CONTROLLED DOCUMENT.		DWN	-	TE Connectivity Ltd.	
DIMENSIONS: mm		CHK	-		
TOLERANCES UNLESS OTHERWISE SPECIFIED:		APVD	-		
0 PLC ±- 1 PLC ±- 2 PLC ±- 3 PLC ±- 4 PLC ±- ANGLES ±-		NAME		ON TAPING (EMBOSS)	
MATERIAL SEE NOTE		FINISH SEE NOTE		SMT TYPE POST HDR ASS'Y(V)	
SEE NOTE		SEE NOTE		W/O BOSS & WITH TAIL TYPE	
SEE NOTE		SEE NOTE		SIZE	RESTRICTED TO
SEE NOTE		SEE NOTE		A3	-
SEE NOTE		SEE NOTE		CAGE CODE	00779
SEE NOTE		SEE NOTE		DRAWING NO	C=292175
SEE NOTE		SEE NOTE		SCALE	N/A
SEE NOTE		SEE NOTE		SHEET	2 of 3
SEE NOTE		SEE NOTE		REV	B4
SEE NOTE		SEE NOTE		CUSTOMER DRAWING	

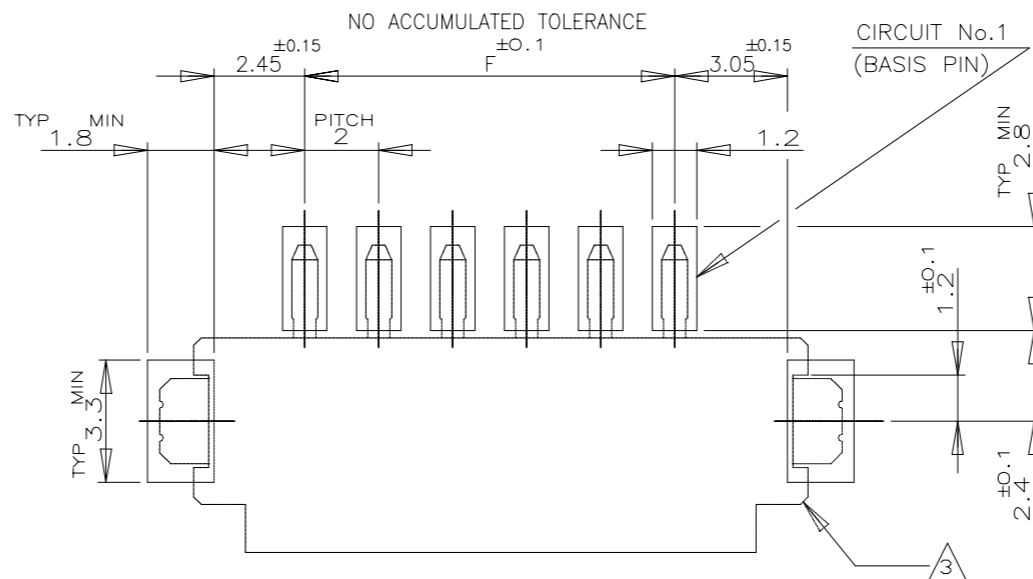
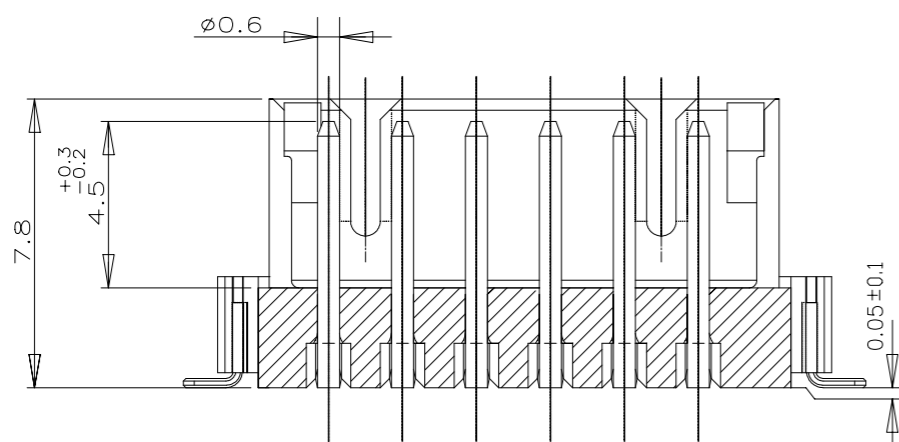
P	LTR	DESCRIPTION	DATE	DWN	APVD
-	-	SEE SHEET 1	-	-	-



NOTES;

- 2. MATERIAL:HSG-NYLON (UL94V-0)
COLOR:NATURAL,BLACK
POST:TIN BRASS
TAIL: TIN BRASS

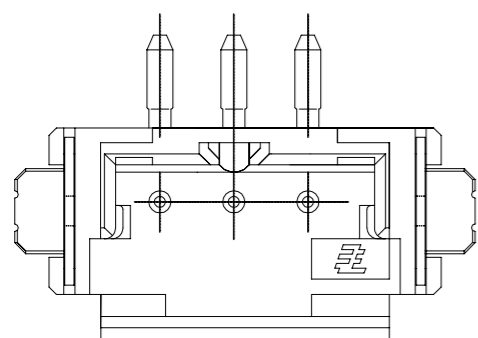
- ⊲ OCCUPANT AREA ON PC BOARD
- ⊳ TO BE MEASURED WITH CONNECTOR PLACED ON HORIZONTAL DATUM SURFACE,FLOAT OF SOLDER TINE AND TAIL FROM DATUM SURFACE IS 0.1mm MAX



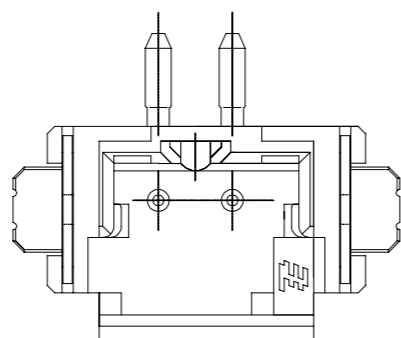
SECT "A"-A"

RECOMMENDED P.C. BOARD LAYOUT
(P.C.B THK:0.8mm MIN)

16.0	19.8	9	2-292175-9	292175-9
14.0	17.8	8	2-▲-8	▲-8
12.0	15.8	7	2-▲-7	▲-7
10.0	13.8	6	2-▲-6	▲-6
8.0	11.8	5	2-▲-5	▲-5
6.0	9.8	4	2-▲-4	▲-4
4.0	7.8	3	2-▲-3	▲-3
2.0	5.8	2	2-292175-2	292175-2
F	E	POS.	BLACK	NATURAL
P/N				



3 P



2 P

TOLERANCES UNLESS OTHERWISE SPECIFIED:
 10** : ±0.2
 30**>10 : ±0.25
 100**>30 : ±0.3
 ANGEL : ±3°

THIS DRAWING IS A CONTROLLED DOCUMENT.		DWN	-	STE TE Connectivity Ltd.			
DIMENSIONS: mm		CHK	-				
TOLERANCES UNLESS OTHERWISE SPECIFIED:		APVD	-				
0 PLC ± - 1 PLC ± - 2 PLC ± - 3 PLC ± - 4 PLC ± - ANGLES ± -		NAME		ON TAPING (EMBOSS) SMT TYPE POST HDR ASS'Y(V) W/O BOSS & WITH TAIL TYPE			
MATERIAL SEE NOTE		PRODUCT SPEC 108-60016					
FINISH SEE NOTE		APPLICATION SPEC		SIZE	CAGE CODE	DRAWING NO	RESTRICTED TO
SEE NOTE		WEIGHT		A3	00779	C=292175	-
CUSTOMER DRAWING				SCALE	N/A	SHEET	3 of 3
				REV	B4		