

## 2-INPUT 1-OUTPUT VIDEO SWITCH

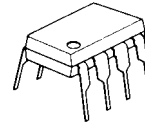
### ■ GENERAL DESCRIPTION

The **NJM2533** is a video switch for VCR, TV, and others.  
It contains two bias-type inputs and one buffer-type output.

### ■ FEATURES

- Operating Voltage (+4.75V to +13V)
- Low Operating Current (MAX : 3.7mA)
- Crosstalk (-70dB)
- 2-Input, 1-Output
- Bipolar Technology
- Package Outline

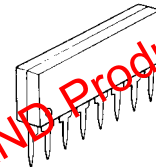
### ■ PACKAGE OUTLINE



**NJM2533D**



**NJM2533M**



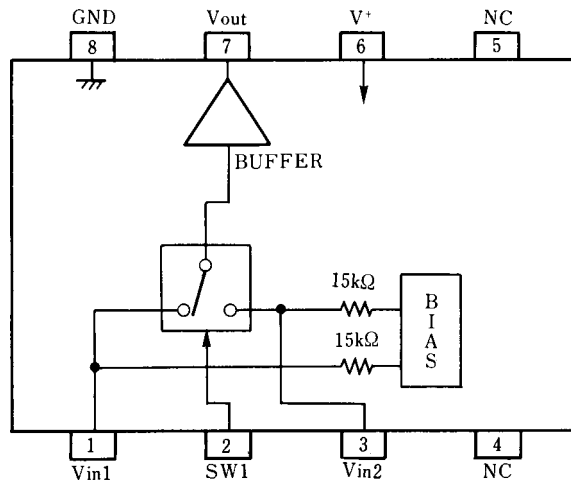
**NJM2533L**



**NJM2533V**

NRND Product

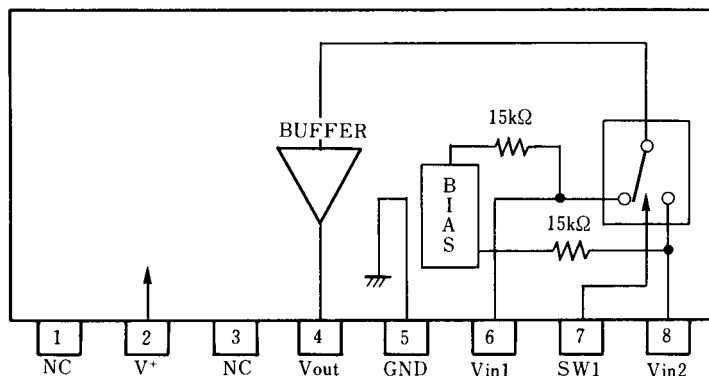
### ■ PIN CONFIGURATION



#### PIN FUNCTION

- 1 : Vin1
- 2 : SW1
- 3 : Vin2
- 4 : NC
- 5 : NC
- 6 : V+
- 7 : V<sub>OUT</sub>
- 8 : GND

**NJM2533D**  
**NJM2533M**  
**NJM2533V**



#### PIN FUNCTION

- 1 : NC
- 2 : V+
- 3 : NC
- 4 : V<sub>OUT</sub>
- 5 : GND
- 6 : Vin1
- 7 : SW1
- 8 : Vin2

**NJM2533L**

■ **ABSOLUTE MAXIMUM RATINGS**

(T<sub>a</sub> = 25°C)

| PARAMETER                   | SYMBOL           | RATINGS   | UNIT |
|-----------------------------|------------------|---|------|
| Supply Voltage              | V <sup>+</sup>   | +15   | V    |
| Power Dissipation           | P <sub>D</sub>   | (DIP-8) 500<br>(DMP-8) 300<br>(SIP-8) 800<br>(SSOP-8) 250 | mW   |
| Operating Temperature Range | T <sub>opr</sub> | -40 to +85  | °C   |
| Storage Temperature Range   | T <sub>stg</sub> | -40 to +125   | °C   |

■ **ELECTRICAL CHARACTERISTICS**

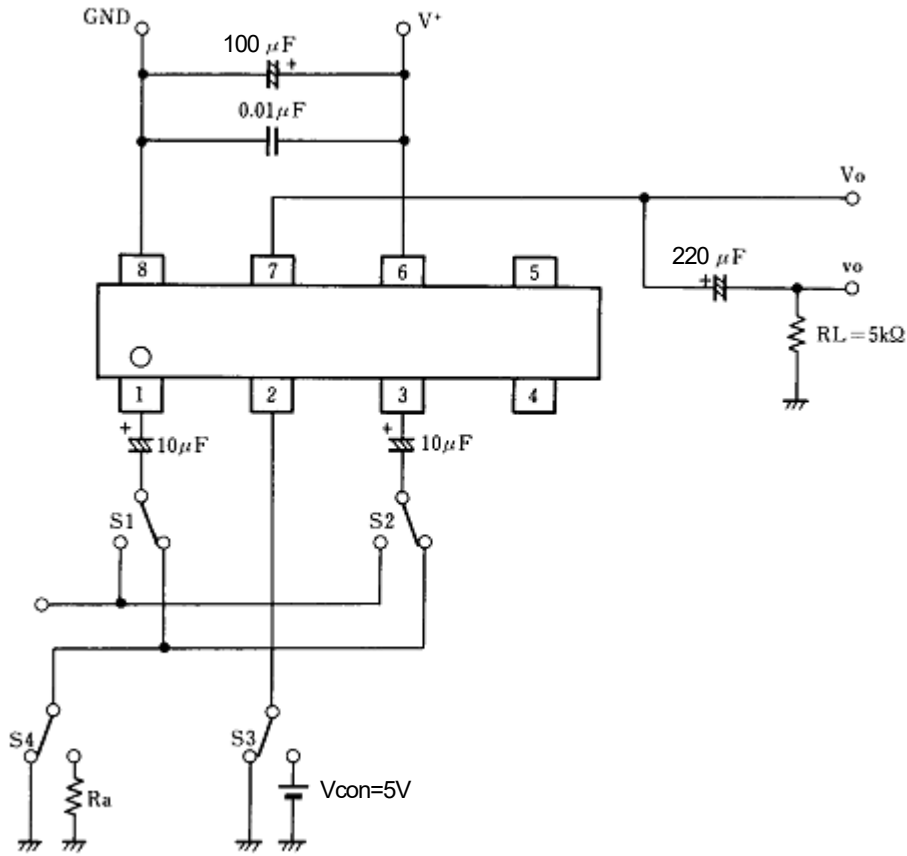
(V<sup>+</sup> = 5V, T<sub>a</sub> = 25°C)

| PARAMETER                 | SYMBOL           | TEST CONDITIONS   | MIN. | TYP. | MAX.  | UNIT |
|---------------------------|------------------|---|------|------|-------|------|
| Operating Voltage         | V <sup>+</sup>   |   | +4.5 | -    | +13.0 | V    |
| Operating Current         | I <sub>CC</sub>  |   | -    | 2.7  | 3.7   | mA   |
| Frequency Characteristics | G <sub>f</sub>   | V <sub>IN</sub> = 2V <sub>PP</sub> , V <sub>O</sub> = 10MHz/100kHz        | -1.0 | 0    | +1.0  | dB   |
| Voltage Gain              | G <sub>v</sub>   | V <sub>IN</sub> = 2V <sub>PP</sub> , 100kHz                               | -0.5 | 0    | +0.5  | dB   |
| Total Harmonic Distortion | THD              | V <sub>IN</sub> = 2.5V <sub>PP</sub> , 1kHz                               | -    | 0.05 | 0.1   | %    |
| Differential Gain         | DG               | V <sub>IN</sub> = 2V <sub>PP</sub> , Standard staircase signal, APL = 50% | -    | 0.2  | 3.0   | %    |
| Differential Phase        | DP               | V <sub>IN</sub> = 2V <sub>PP</sub> , Standard staircase signal, APL = 50% | -    | 0.2  | 3.0   | deg  |
| Output Offset Voltage     | V <sub>off</sub> |   | -15  | 0    | +15   | mV   |
| Crosstalk                 | CT               | V <sub>IN</sub> = 2V <sub>PP</sub> , 4.3MHz                               | -    | -70  | -60   | dB   |
| Switching Voltage         | V <sub>CH</sub>  |   | 2.4  | -    | -     | V    |
|                           | V <sub>CL</sub>  |   | -    | -    | 0.8   | V    |
| Input Impedance           | R <sub>i</sub>   |   | -    | 30   | -     | kΩ   |
| Output Impedance          | R <sub>O</sub>   |   | -    | 25   | -     | Ω    |
| Input Bias Voltage        | V <sub>IN</sub>  |   | -    | 2.5  | -     | V    |

■ **CONTROL SIGNAL-OUTPUT SIGNAL**

| SW1 | OUTPUT SIGNAL    |
|-----|------------------|
| L   | V <sub>IN1</sub> |
| H   | V <sub>IN2</sub> |

■ TEST CIRCUIT



Terminal DC voltage at test circuit (Ta=25°C)

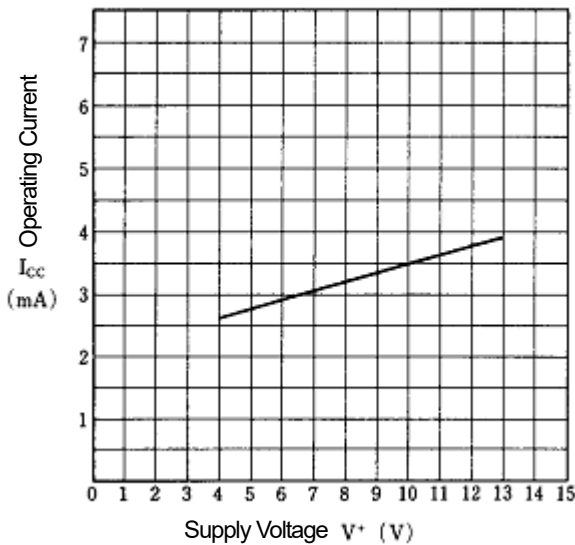
| Terminal name  | Vin1    | Vin2    | Vout          |
|----------------|---------|---------|---------------|
| DC voltage (V) | $V^+/2$ | $V^+/2$ | $V^+/2 - 0.7$ |

■ **TERMINAL DESCRIPTION** (Terminal number indicates the DIP , DMP, SSOP)

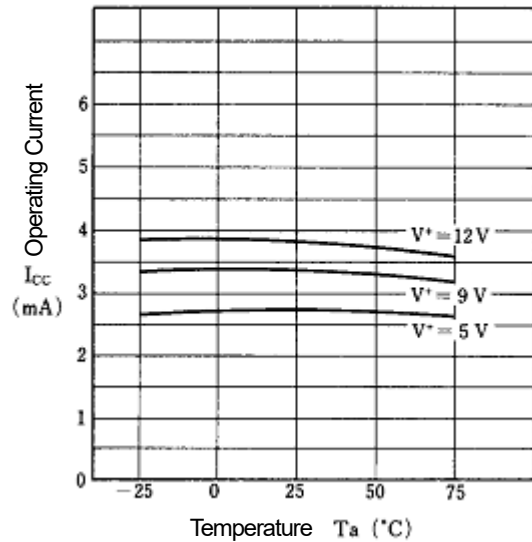
| No. | SYMBOL           | EQUIVALENT CIRCUIT | No. | SYMBOL           | EQUIVALENT CIRCUIT |
|-----|------------------|--------------------|-----|------------------|--------------------|
| 1   | V <sub>IN1</sub> |                    | 5   | NC               |                    |
| 2   | SW1              |                    | 6   | V <sup>+</sup>   |                    |
| 3   | V <sub>IN2</sub> |                    | 7   | V <sub>OUT</sub> |                    |
| 4   | NC               |                    | 8   | GND              |                    |

■ TYPICAL CHARACTERISTICS

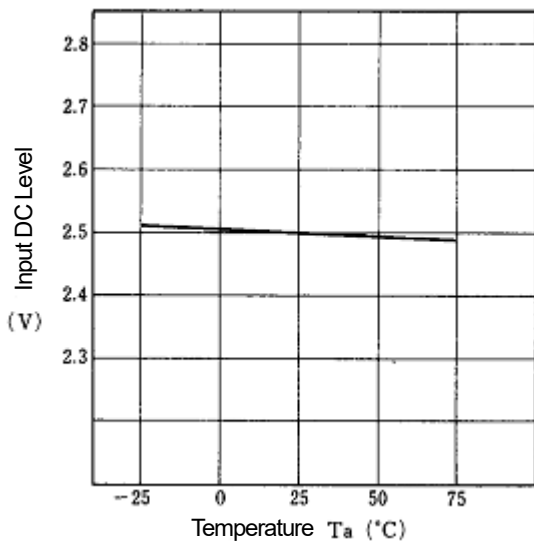
Operating Current vs. Supply Voltage  
( $T_a = 25^\circ\text{C}$ )



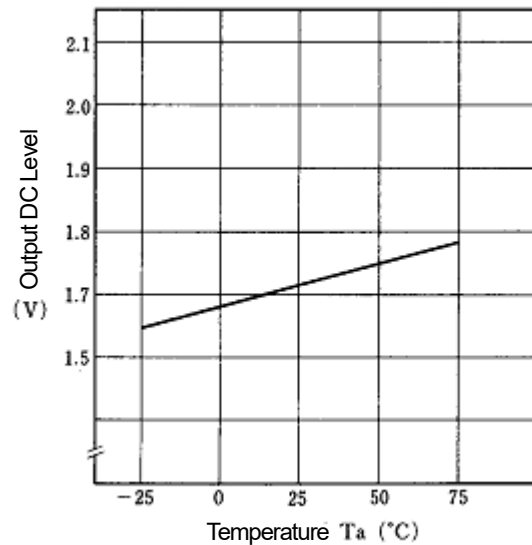
Operating Current vs. Temperature  
( $T_a = 25^\circ\text{C}$ )



Input DC Level vs. Temperature  
( $V^+ = 5\text{V}$ ,  $T_a = 25^\circ\text{C}$ )

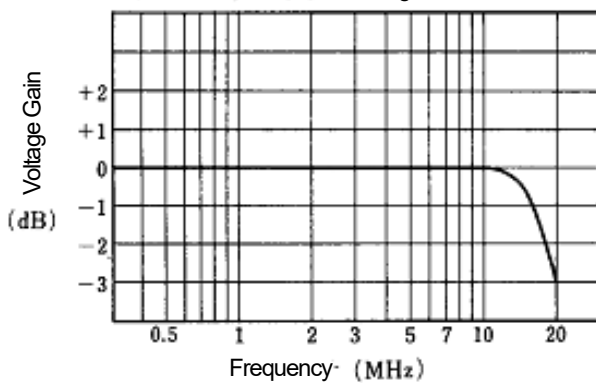


Output DC Level vs. Temperature  
( $V^+ = 5\text{V}$ )



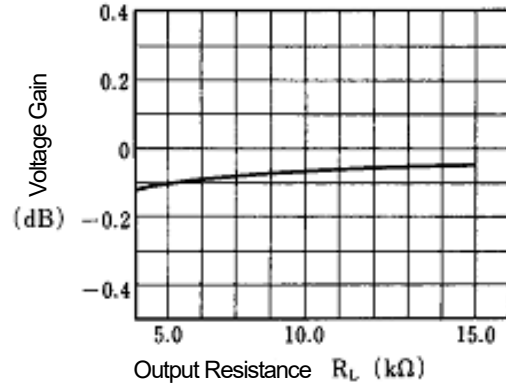
Voltage Gain vs. Frequency

( $V^+ = 5\text{V}$ ,  $2V_{P-P}$  Sin signal  $R_L = 5\text{k}\Omega$ )

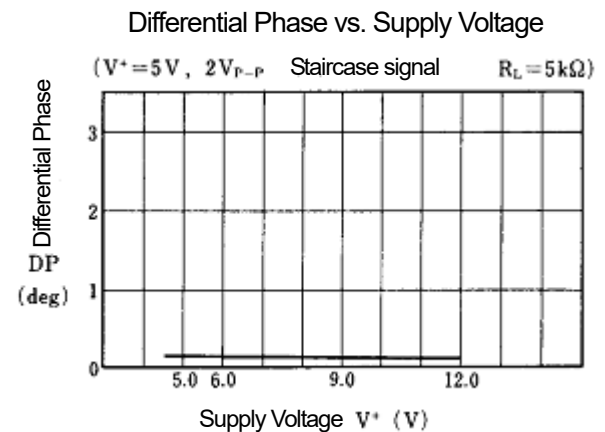
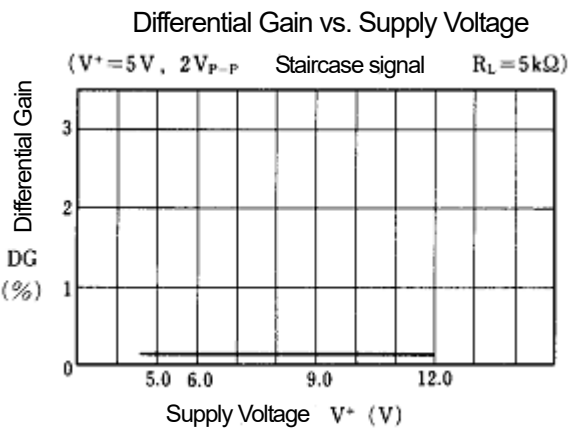
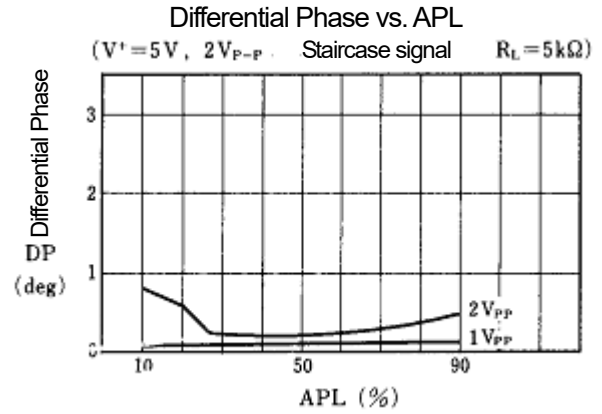
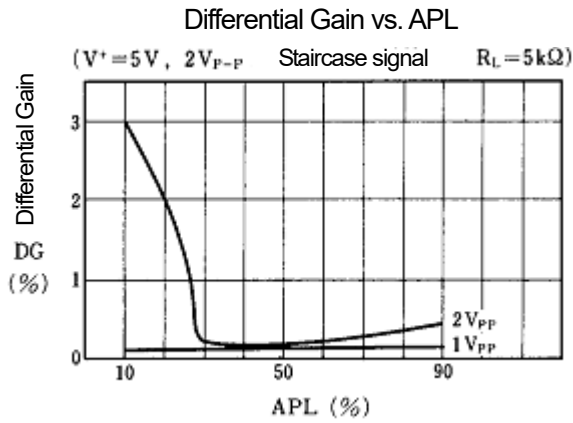
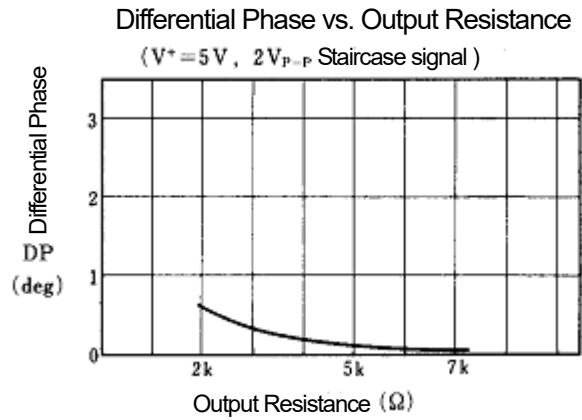
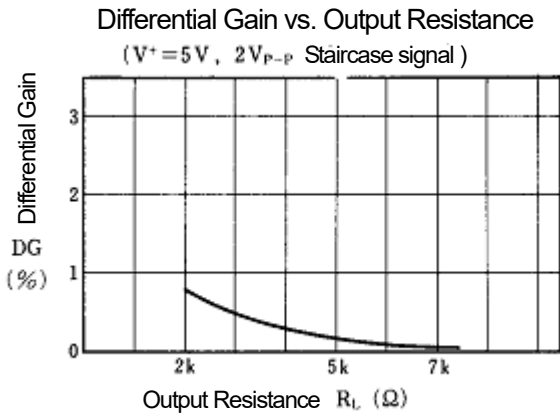


Voltage Gain vs. Output Resistance

( $V^+ = 5\text{V}$ ,  $2V_{P-P}$  Sin signal )

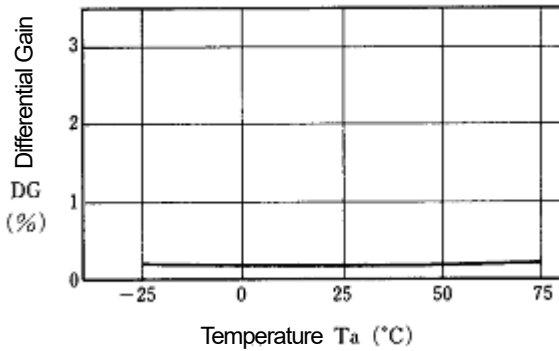


■ TYPICAL CHARACTERISTICS

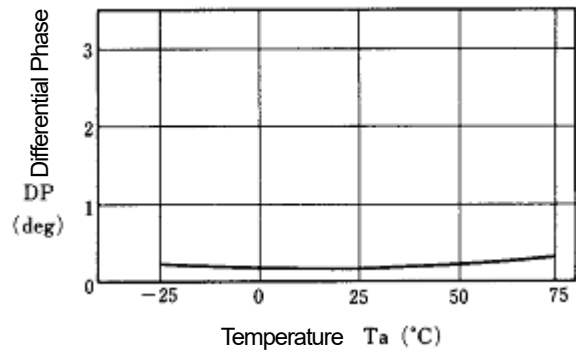


■ TYPICAL CHARACTERISTICS

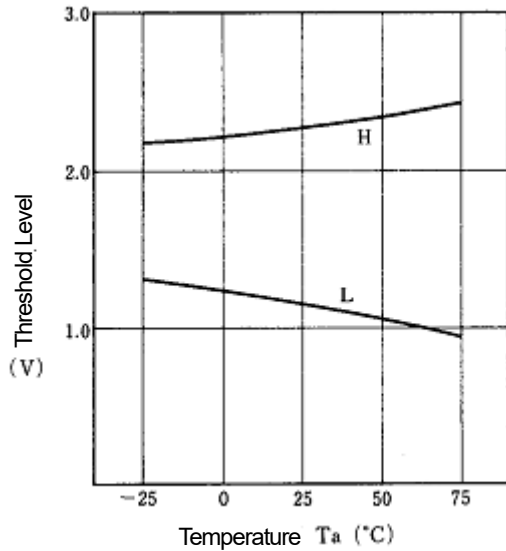
Differential Gain vs. Temperature  
( $V^+ = 5V$ ,  $2V_{P-P}$  Staircase signal)



Differential Phase vs. Temperature  
( $V^+ = 5V$ ,  $2V_{P-P}$  Staircase signal)

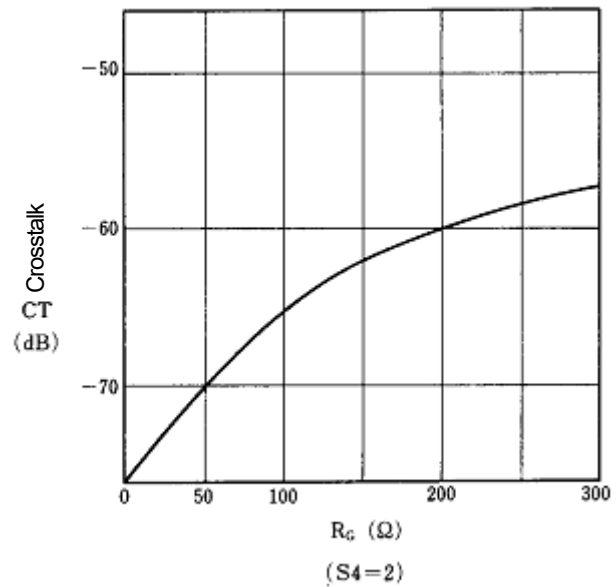


Threshold Level vs. Temperature  
( $V^+ = 5V$ )

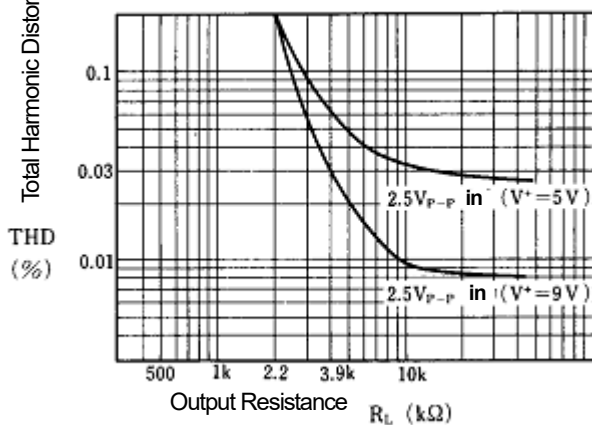


Crosstalk vs.  $R_G$

( $V^+ = 5V$ , 4.43MHz  $2V_{P-P}$  Sin signal)

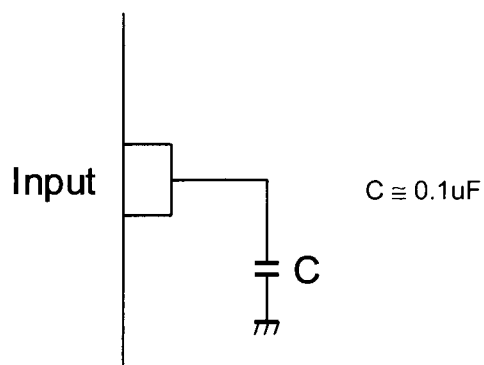


Total Harmonic Distortion vs. Output Resistance  
(1kHz Sin signal)



## ■ APPLICATION

This IC requires 0.1 $\mu$ F capacitor between INPUT and GND for bias type input at mute mode.



**[CAUTION]**  
 The specifications on this databook are only given for information, without any guarantee as regards either mistakes or omissions. The application circuits in this databook are described only to show representative usages of the product and not intended for the guarantee or permission of any right including the industrial rights.