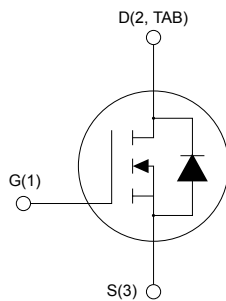
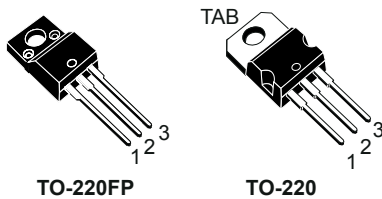


## N-channel 650 V, 390 mΩ typ., 8.5 A MDmesh M5 Power MOSFET in a TO-220FP and TO-220 packages



AM01475v1\_no2en

### Features

Order code	$V_{DS} @ T_J \text{ max.}$	$R_{DS(on)} \text{ max.}$	$I_D$
STF12N65M5	710 V	430 mΩ	8.5 A
STP12N65M5			

- Extremely low  $R_{DS(on)}$
- Low gate charge and input capacitance
- Excellent switching performance
- 100% avalanche tested

### Applications

- Switching applications

### Description

This device is an N-channel Power MOSFET based on the MDmesh M5 innovative vertical process technology combined with the well-known PowerMESH horizontal layout. The resulting product offers extremely low on-resistance, making it particularly suitable for applications requiring high power and superior efficiency.



#### Product status links

[STF12N65M5](#)
[STP12N65M5](#)

#### Product summary

Order code	STF12N65M5
Marking	12N65M5
Package	TO-220FP
Packing	Tube
Order code	STP12N65M5
Marking	12N65M5
Package	TO-220
Packing	Tube

# 1 Electrical ratings

**Table 1. Absolute maximum ratings**

Symbol	Parameter	Value		Unit
		TO-220FP	TO-220	
$V_{DS}$	Drain-source voltage	650		V
$V_{GS}$	Gate-source voltage	25		V
$I_D$	Drain current (continuous) at $T_C = 25\text{ °C}$	8.5 <sup>(1)</sup>	8.5	A
	Drain current (continuous) at $T_C = 100\text{ °C}$	5.4 <sup>(1)</sup>	5.4	
$I_{DM}^{(2)}$	Drain current (pulsed)	34	34	A
$P_{TOT}$	Total power dissipation at $T_C = 25\text{ °C}$	25	70	W
$I_{AR}$	Avalanche current, repetitive or not repetitive (pulse width limited by $T_J$ max.)	2.5		A
$E_{AS}$	Single pulse avalanche energy (starting $T_J = 25\text{ °C}$ , $I_D = I_{AR}$ , $V_{DD} = 50\text{ V}$ )	150		mJ
$dv/dt^{(3)}$	Peak diode recovery voltage slope	15		V/ns
$V_{ISO}$	Insulation withstand voltage (RMS) from all three leads to external heat sink ( $t = 1\text{ s}$ , $T_C = 25\text{ °C}$ )	2.5		kV
$T_{stg}$	Storage temperature range	-55 to 150		°C
$T_J$	Operating junction temperature range			°C

1. Limited by maximum junction temperature.
2. Pulse width is limited by safe operating area.
3.  $I_{SD} \leq 8.5\text{ A}$ ,  $di/dt \leq 400\text{ A}/\mu\text{s}$ ,  $V_{DS}(\text{peak}) < V_{(BR)DSS}$ .  $V_{DD} = 400\text{ V}$ .

**Table 2. Thermal data**

Symbol	Parameter	Value		Unit
		TO-220FP	TO-220	
$R_{thJC}$	Thermal resistance, junction-to-case	5.00	1.79	°C/W
$R_{thJA}$	Thermal resistance, junction-to-ambient	62.5		°C/W

## 2 Electrical characteristics

$T_C = 25\text{ °C}$  unless otherwise specified.

**Table 3. On/off states**

Symbol	Parameter	Test conditions	Min.	Typ.	Max.	Unit
$V_{(BR)DSS}$	Drain-source breakdown voltage	$V_{GS} = 0\text{ V}$ , $I_D = 1\text{ mA}$	650			V
$I_{DSS}$	Zero gate voltage drain current	$V_{GS} = 0\text{ V}$ , $V_{DS} = 650\text{ V}$			1	$\mu\text{A}$
		$V_{GS} = 0\text{ V}$ , $V_{DS} = 650\text{ V}$ , $T_C = 125\text{ °C}^{(1)}$			100	
$I_{GSS}$	Gate-body leakage current	$V_{DS} = 0\text{ V}$ , $V_{GS} = \pm 25\text{ V}$			100	nA
$V_{GS(th)}$	Gate threshold voltage	$V_{DS} = V_{GS}$ , $I_D = 250\text{ }\mu\text{A}$	3	4	5	V
$R_{DS(on)}$	Static drain-source on-resistance	$V_{GS} = 10\text{ V}$ , $I_D = 4.3\text{ A}$		390	430	m $\Omega$

1. Specified by design, not tested in production.

**Table 4. Dynamic**

Symbol	Parameter	Test conditions	Min.	Typ.	Max.	Unit
$C_{iss}$	Input capacitance	$V_{DS} = 100\text{ V}$ , $f = 1\text{ MHz}$ , $V_{GS} = 0\text{ V}$	-	900	-	pF
$C_{oss}$	Output capacitance		-	22	-	pF
$C_{rss}$	Reverse transfer capacitance		-	2	-	pF
$C_{o(tr)}^{(1)}$	Equivalent capacitance time related	$V_{DS} = 0\text{ to }520\text{ V}$ , $V_{GS} = 0\text{ V}$	-	64	-	pF
$C_{o(er)}^{(2)}$	Equivalent capacitance energy related		-	21	-	pF
$R_g$	Intrinsic gate resistance	$f = 1\text{ MHz}$ , $I_D = 0\text{ A}$	-	5	-	$\Omega$
$Q_g$	Total gate charge	$V_{DD} = 520\text{ V}$ , $I_D = 4.25\text{ A}$ , $V_{GS} = 0\text{ to }10\text{ V}$ (see Figure 17. Test circuit for gate charge behavior)	-	20	-	nC
$Q_{gs}$	Gate-source charge		-	4.8	-	nC
$Q_{gd}$	Gate-drain charge		-	8.3	-	nC

- $C_{o(tr)}$  is an equivalent capacitance that provides the same charging time as  $C_{oss}$  while  $V_{DS}$  is rising from 0 V to the stated value.
- $C_{o(er)}$  is an equivalent capacitance that provides the same stored energy as  $C_{oss}$  while  $V_{DS}$  is rising from 0 V to the stated value.

**Table 5. Switching times**

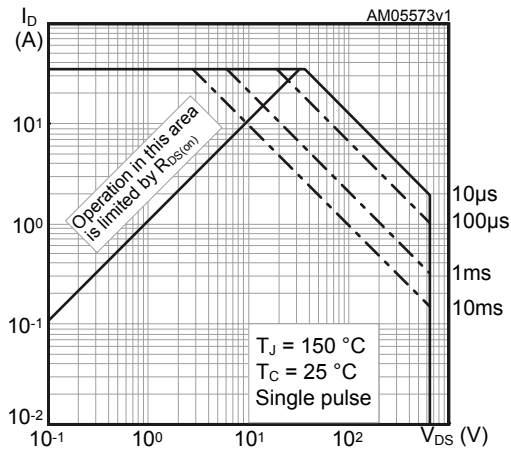
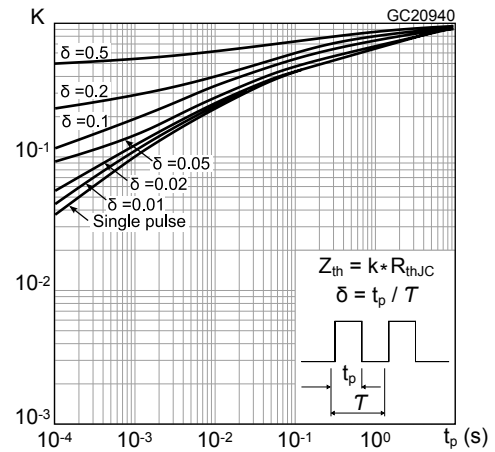
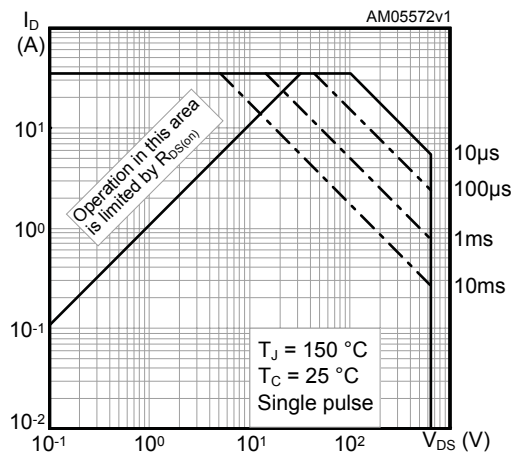
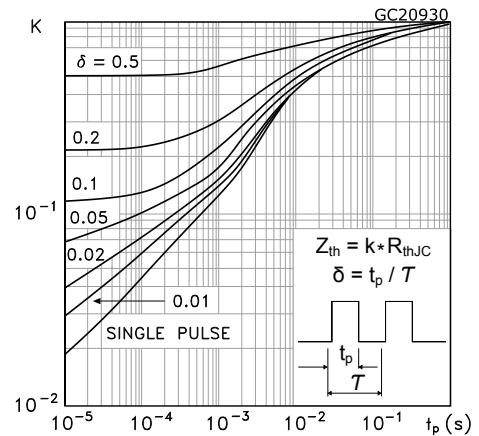
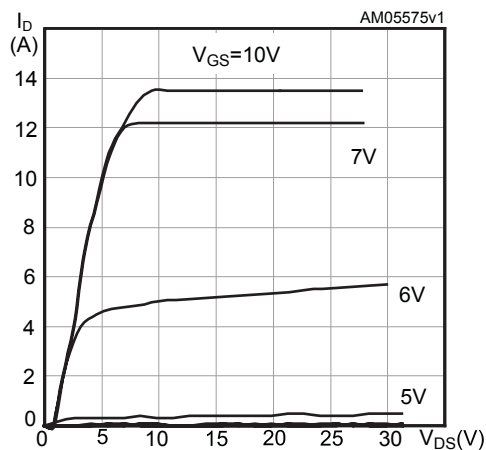
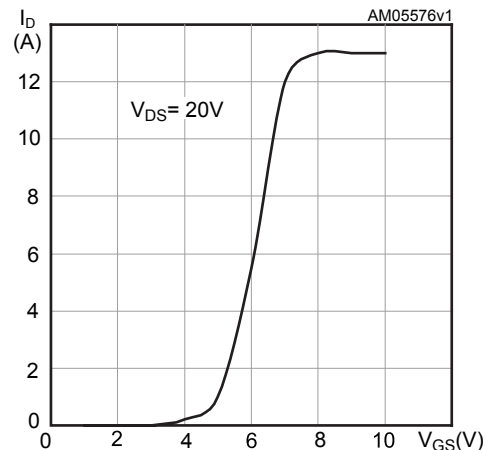
Symbol	Parameter	Test conditions	Min.	Typ.	Max.	Unit
$t_{d(v)}$	Voltage delay time	$V_{DD} = 400\text{ V}$ , $I_D = 5\text{ A}$ , $R_G = 4.7\text{ }\Omega$ , $V_{GS} = 10\text{ V}$	-	22.6	-	ns
$t_{r(v)}$	Voltage rise time		-	17.6	-	ns
$t_{f(i)}$	Current fall time	(see Figure 18. Test circuit for inductive load switching and diode recovery times and Figure 21. Switching time waveform)	-	15.6	-	ns
$t_{c(off)}$	Crossing time		-	23.4	-	ns

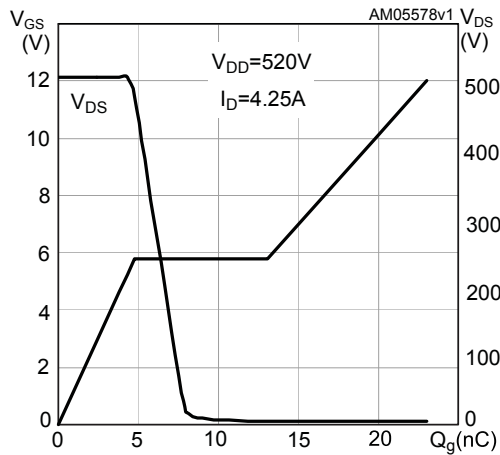
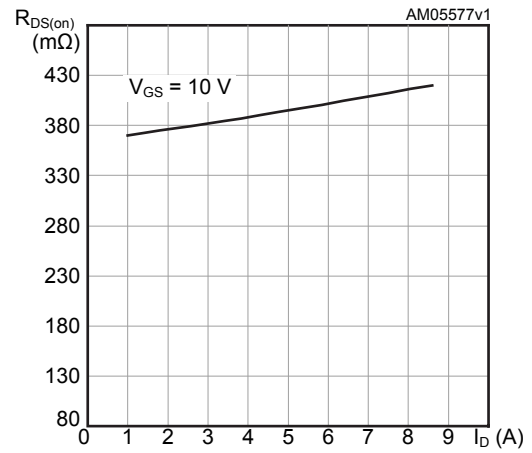
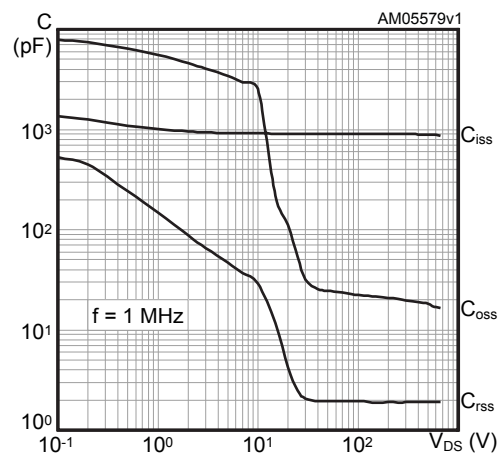
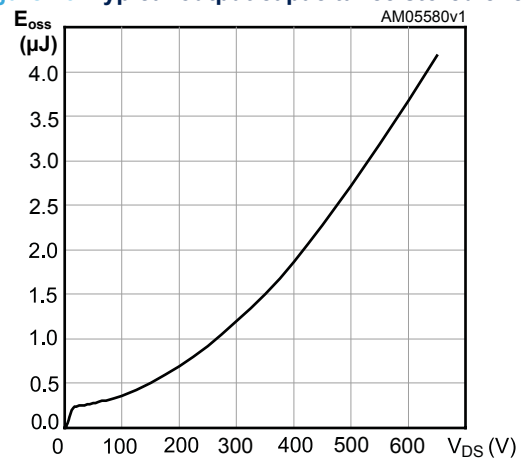
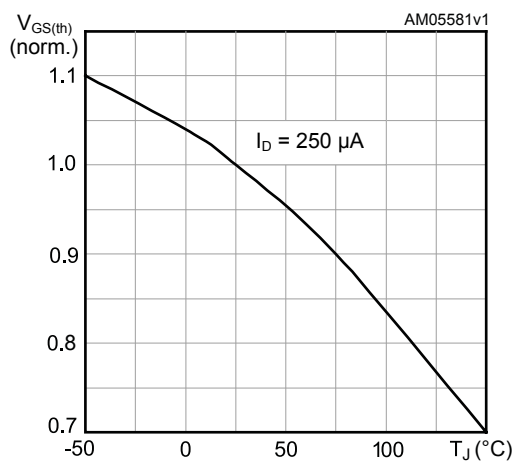
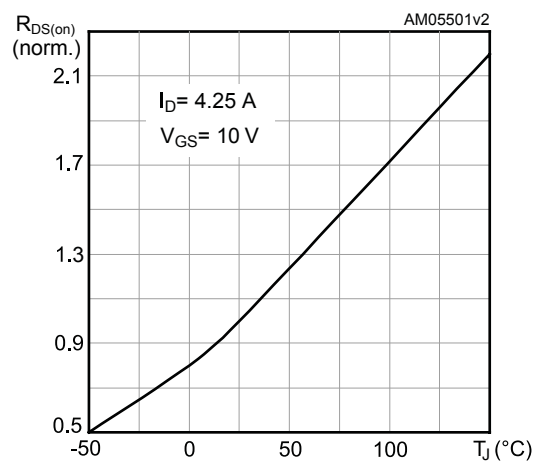
**Table 6. Source-drain diode**

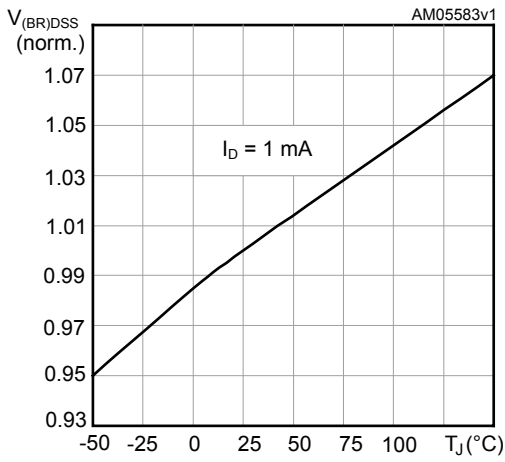
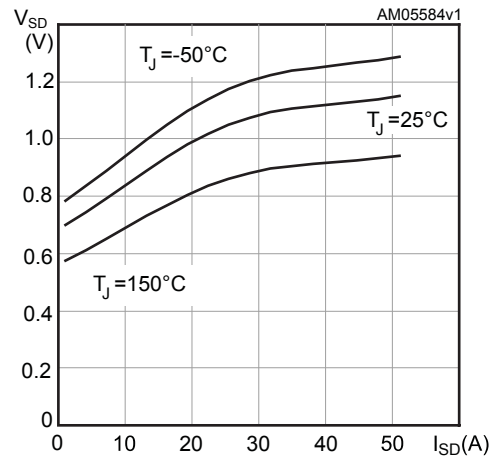
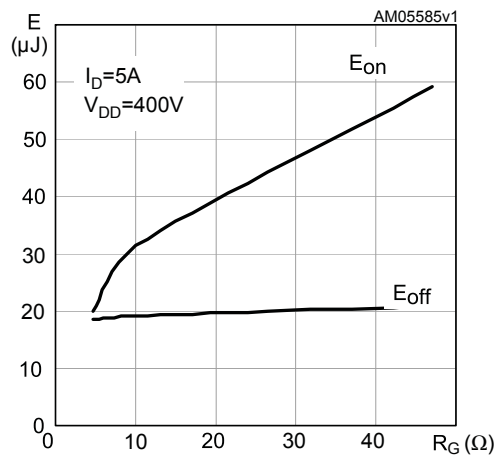
Symbol	Parameter	Test conditions	Min.	Typ.	Max.	Unit
$I_{SD}$	Source-drain current		-		8.5	A
$I_{SDM}^{(1)}$	Source-drain current (pulsed)		-		34	A
$V_{SD}^{(2)}$	Forward on voltage	$I_{SD} = 8.5 \text{ A}, V_{GS} = 0 \text{ V}$	-		1.5	V
$t_{rr}$	Reverse recovery time	$I_{SD} = 8.5 \text{ A}, di/dt = 100 \text{ A}/\mu\text{s},$	-	230		ns
$Q_{rr}$	Reverse recovery charge	$V_{DD} = 100 \text{ V}$	-	2.2		$\mu\text{C}$
$I_{RRM}$	Reverse recovery current	(see Figure 18. Test circuit for inductive load switching and diode recovery times)	-	19		A
$t_{rr}$	Reverse recovery time	$I_{SD} = 8.5 \text{ A}, di/dt = 100 \text{ A}/\mu\text{s},$	-	280		ns
$Q_{rr}$	Reverse recovery charge	$V_{DD} = 100 \text{ V}, T_J = 150 \text{ }^\circ\text{C}$	-	2.7		$\mu\text{C}$
$I_{RRM}$	Reverse recovery current	(see Figure 18. Test circuit for inductive load switching and diode recovery times)	-	19		A

1. Pulse width is limited by safe operating area.
2. Pulsed: pulse duration = 300  $\mu\text{s}$ , duty cycle 1.5%.

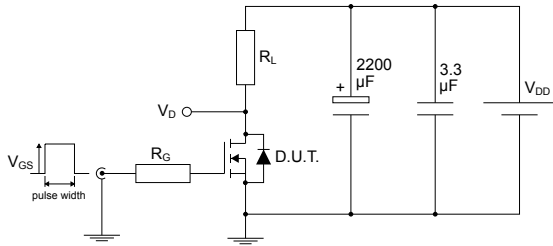
## 2.1 Electrical characteristics (curves)

**Figure 1. Safe operating area for TO-220FP**

**Figure 2. Normalized transient thermal impedance for TO-220FP**

**Figure 3. Safe operating area for TO-220**

**Figure 4. Normalized transient thermal impedance for TO-220**

**Figure 5. Typical output characteristics**

**Figure 6. Typical transfer characteristics**


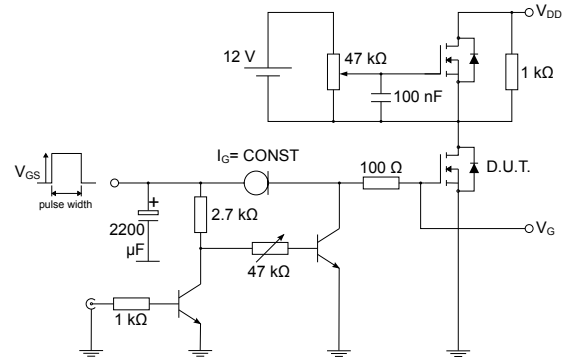
**Figure 7. Typical gate charge characteristics**

**Figure 8. Typical drain-source on-resistance**

**Figure 9. Typical capacitance characteristics**

**Figure 10. Typical output capacitance stored energy**

**Figure 11. Normalized gate threshold voltage vs temperature**

**Figure 12. Normalized on-resistance vs temperature**


**Figure 13. Normalized breakdown voltage vs temperature**

**Figure 14. Typical reverse diode forward characteristics**

**Figure 15. Typical switching energy vs gate resistance**


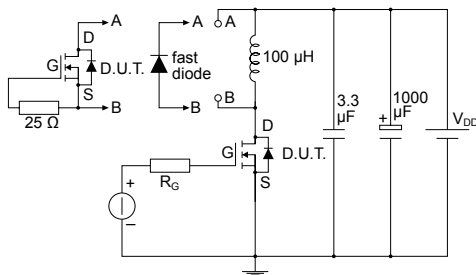
### 3 Test circuits

**Figure 16. Test circuit for resistive load switching times**


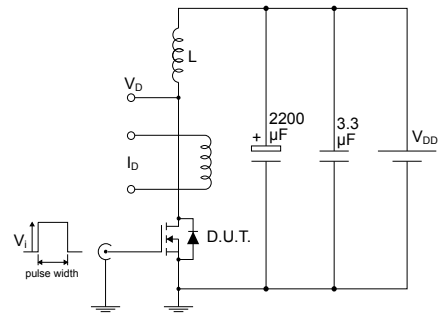
AM01468v1

**Figure 17. Test circuit for gate charge behavior**


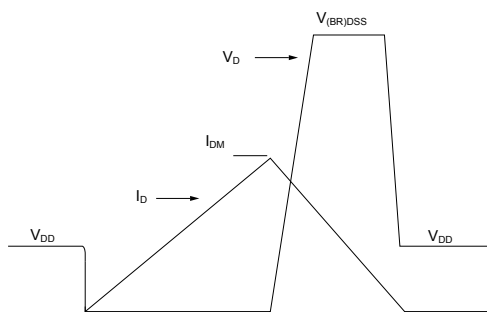
AM01469v1

**Figure 18. Test circuit for inductive load switching and diode recovery times**


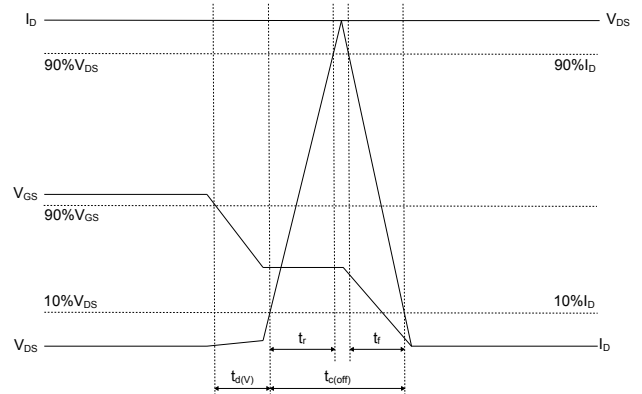
AM01470v1

**Figure 19. Unclamped inductive load test circuit**


AM01471v1

**Figure 20. Unclamped inductive waveform**


AM01472v1

**Figure 21. Switching time waveform**


AM05540v2

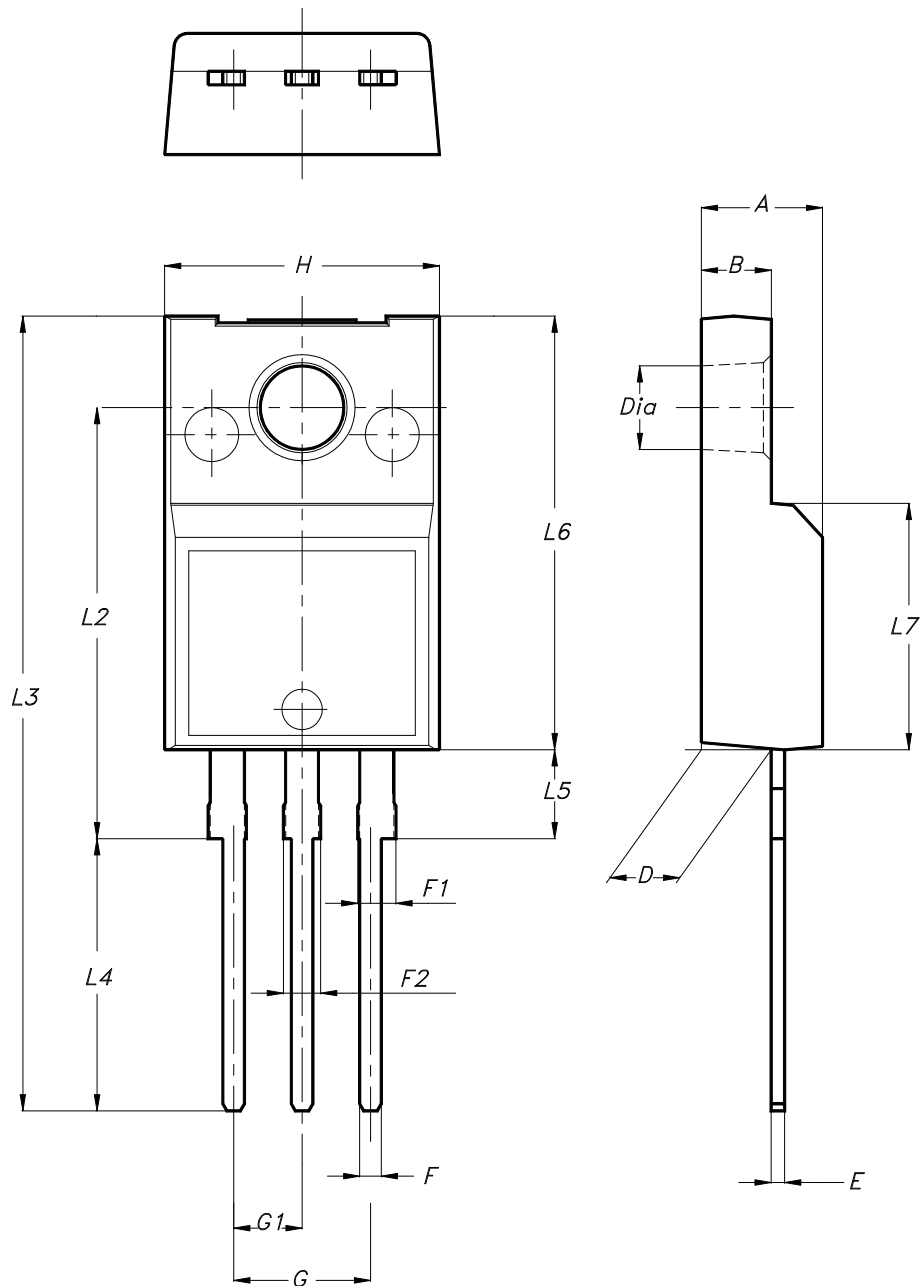


## 4 Package information

In order to meet environmental requirements, ST offers these devices in different grades of **ECOPACK** packages, depending on their level of environmental compliance. ECOPACK specifications, grade definitions and product status are available at: [www.st.com](http://www.st.com). ECOPACK is an ST trademark.

### 4.1 TO-220FP package information

Figure 22. TO-220FP package outline



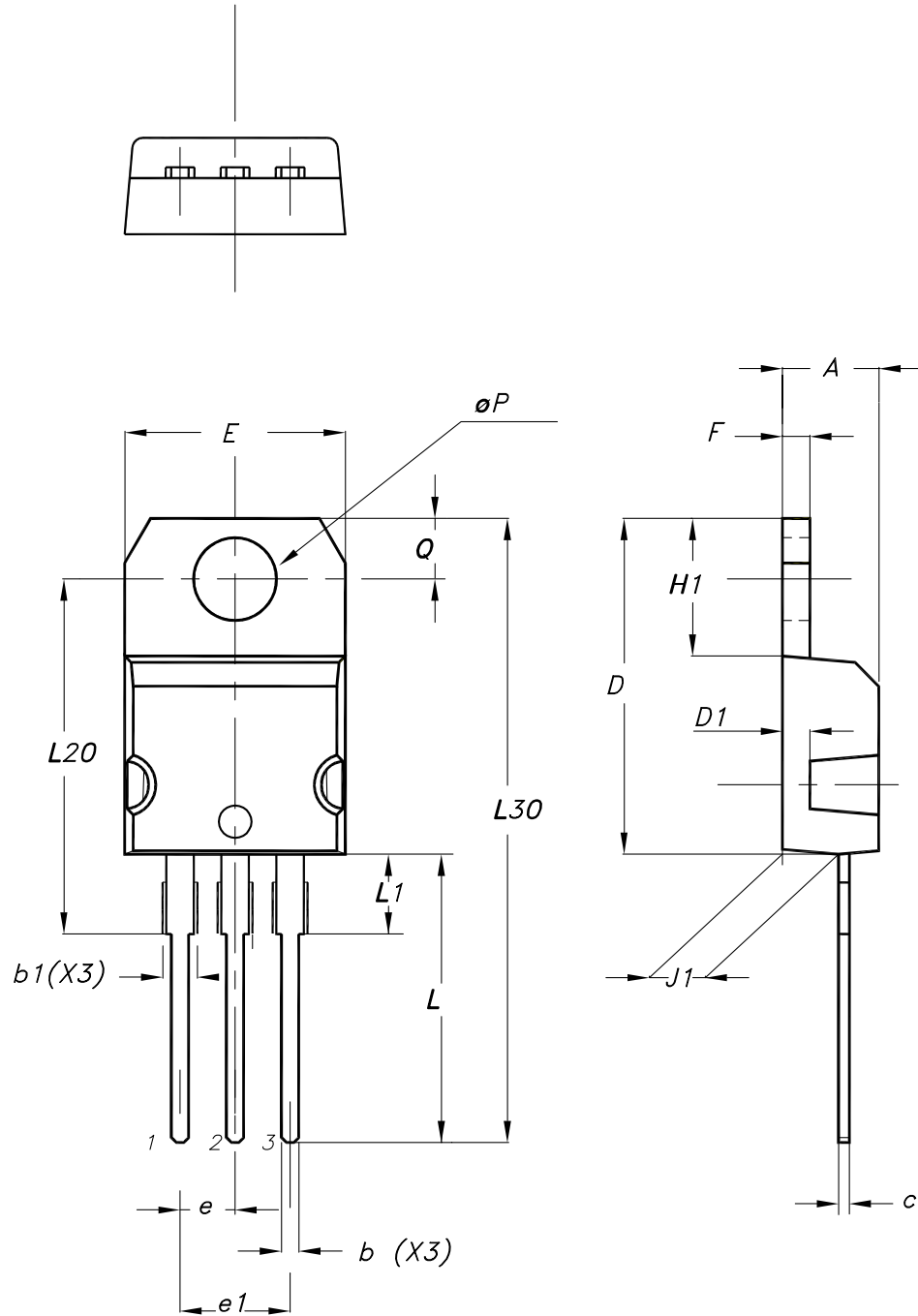
7012510\_Rev\_13\_B

**Table 7. TO-220FP package mechanical data**

Dim.	mm		
	Min.	Typ.	Max.
A	4.40		4.60
B	2.50		2.70
D	2.50		2.75
E	0.45		0.70
F	0.75		1.00
F1	1.15		1.70
F2	1.15		1.70
G	4.95		5.20
G1	2.40		2.70
H	10.00		10.40
L2		16.00	
L3	28.60		30.60
L4	9.80		10.60
L5	2.90		3.60
L6	15.90		16.40
L7	9.00		9.30
Dia	3.00		3.20

## 4.2 TO-220 type A package information

Figure 23. TO-220 type A package outline



0015988\_typeA\_Rev\_23

**Table 8. TO-220 type A package mechanical data**

Dim.	mm		
	Min.	Typ.	Max.
A	4.40		4.60
b	0.61		0.88
b1	1.14		1.55
c	0.48		0.70
D	15.25		15.75
D1		1.27	
E	10.00		10.40
e	2.40		2.70
e1	4.95		5.15
F	1.23		1.32
H1	6.20		6.60
J1	2.40		2.72
L	13.00		14.00
L1	3.50		3.93
L20		16.40	
L30		28.90	
øP	3.75		3.85
Q	2.65		2.95
Slug flatness		0.03	0.10

## Revision history

**Table 9. Document revision history**

Date	Version	Changes
24-Feb-2009	1	First release.
27-Feb-2009	2	Corrected package information on first page.
21-Jan-2010	3	Document status promoted from preliminary data to datasheet.
29-Jun-2010	4	<ul style="list-style-type: none"> <li>– <i>Figure 15: Normalized on resistance vs temperature</i> has been updated.</li> <li>– <math>V_{GS}</math> value in <i>Table 4</i> has been corrected.</li> </ul>
22-Jun-2011	5	<ul style="list-style-type: none"> <li>Updated <i>Figure 18</i> and <i>Figure 20</i>.</li> <li>Updated gate charge in <i>Table 5</i> and switching time in <i>Table 6</i>.</li> </ul>
11-Mar-2022	6	<ul style="list-style-type: none"> <li>The part numbers STD12N65M5, STI12N65M5 and STU12N65M5 have been removed and the document has been updated accordingly.</li> <li>Updated title, <a href="#">Features</a> and <a href="#">Description</a> on cover page.</li> <li>Modified <math>R_g</math> value in the <i>Table 4. Dynamic</i>.</li> <li>Updated <a href="#">Section 4 Package information</a>.</li> <li>Minor text changes.</li> </ul>

---

## Contents

<b>1</b>	<b>Electrical ratings</b> .....	<b>2</b>
<b>2</b>	<b>Electrical characteristics</b> .....	<b>3</b>
<b>2.1</b>	Electrical characteristics (curves) .....	<b>5</b>
<b>3</b>	<b>Test circuits</b> .....	<b>8</b>
<b>4</b>	<b>Package information</b> .....	<b>9</b>
<b>4.1</b>	TO-220FP package information .....	<b>9</b>
<b>4.2</b>	TO-220 type A package information .....	<b>11</b>
	<b>Revision history</b> .....	<b>13</b>

**IMPORTANT NOTICE – READ CAREFULLY**

STMicroelectronics NV and its subsidiaries (“ST”) reserve the right to make changes, corrections, enhancements, modifications, and improvements to ST products and/or to this document at any time without notice. Purchasers should obtain the latest relevant information on ST products before placing orders. ST products are sold pursuant to ST’s terms and conditions of sale in place at the time of order acknowledgment.

Purchasers are solely responsible for the choice, selection, and use of ST products and ST assumes no liability for application assistance or the design of purchasers’ products.

No license, express or implied, to any intellectual property right is granted by ST herein.

Resale of ST products with provisions different from the information set forth herein shall void any warranty granted by ST for such product.

ST and the ST logo are trademarks of ST. For additional information about ST trademarks, refer to [www.st.com/trademarks](http://www.st.com/trademarks). All other product or service names are the property of their respective owners.

Information in this document supersedes and replaces information previously supplied in any prior versions of this document.

© 2022 STMicroelectronics – All rights reserved