

1. 製品名称／PRODUCT NAME : 1.25 WIRE TO BOARD WAFER ASSY R/A FOR SMT
EMBOSSSED TAPE PACKAGING

製品番号／PART NUMBER : 5 3 2 6 1 - * * 2 7
5 3 2 6 1 - * * 7 1

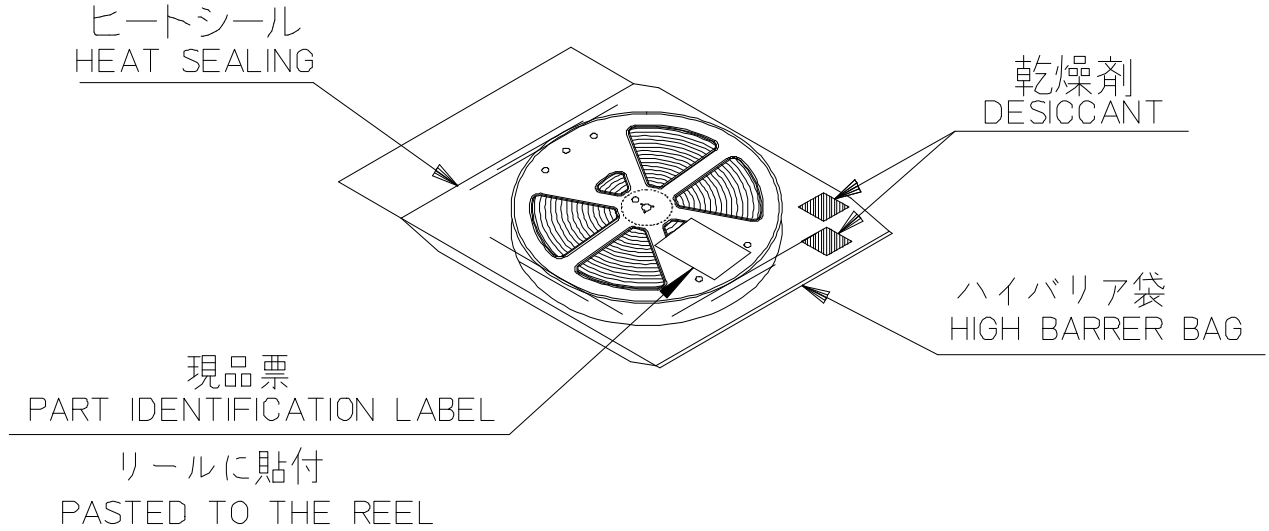
(* * は極数を示す)
(* * IS CIRCUITS SIZE)

2. 標準梱包数／STANDARD PACKAGING QUANTITY

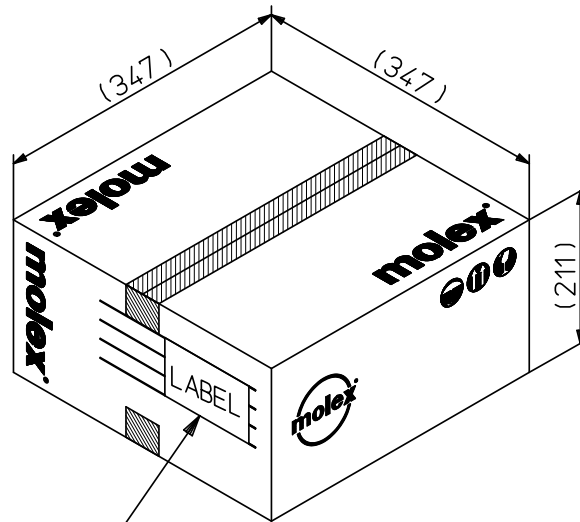
| 極 数 CKT. SIZE | キャリア テープ幅 (mm) CARRIER TAPE WIDTH (mm) | 1 リール中の製品数 QTY. PER REEL | 外装カートン SHIPPING CARTON | |
|---------------------|---|-----------------------------|---------------------------|-----------------|
| | | | 梱包リール数 NUMBER OF REELS | 製品数 QUANTITY |
| 2 | 16 | 1,000 | 8 | 8,000 |
| 3 | | | | |
| 4 | | | | |
| 5 | 24 | 1,000 | 6 | 6,000 |
| 6 | | | | |
| 7 | | | | |
| 8 | | | | |
| 9 | | | | |
| 10 | | | | |
| 11 | 32 | 1,000 | 4 | 4,000 |
| 12 | | | | |
| 13 | | | | |
| 14 | 44 | 1,000 | 3 | 3,000 |
| 15 | | | | |
| 17 | | | | |

| | | | | | | | | | | | | | | | | | | | | | | | | |
|----------------------------------|--|--|--|--|--|--|---------------------------|-------------------------|-------------------------------|--------|--|--|--|--|------------------------------|--|--|--|--|-----------------|--|--|--|--|
| REV. | C | | | | | | | | | | | | | | | | | | | | | | | |
| SHEET | 1~2 | | | | | | | | | | | | | | | | | | | | | | | |
| REVISE ON PC ONLY | | | | | | | | | | TITLE: | | | | | | | | | | | | | | |
| C | REVISED J2013-0816 2013/01/25 T.NAKAGAWA | | | | | 5 3 2 6 1 梱包仕様書 SALES PACKAGING SPEC. FOR 53261 | | | | | | | | | | | | | | | | | | |
| | THIS DOCUMENT CONTAINS INFORMATION THAT IS PROPRIETARY TO MOLEX INC. AND SHOULD NOT BE USED WITHOUT WRITTEN PERMISSION | | | | | | | | | | | | | | | | | | | | | | | |
| REV. | DESCRIPTION | | | | | WRITTEN BY: Y.TOKUZONO | CHECKED BY: T.HARUYAMA | APPROVED BY: N.UKITA | DATE: YR/MO/DAY 2007/07/04 | | | | | | | | | | | | | | | |
| DESIGN CONTROL J | | | | | | | | | | STATUS | | | | | FILE NAME SPK53261002.doc | | | | | SHEET 1 OF 2 | | | | |
| DOCUMENT NUMBER SPK-53261-002 | | | | | | | | | | | | | | | | | | | | | | | | |

3. ハイバリア袋への梱包方法及びラベル貼付位置/PACKAGING METHOD FOR HIGH BARRIER BAG AND LABEL POSITION.



4. カートン外形参考寸法/CARTON OUTER DIMENSIONS (REFERENCE PURPOSE ONLY)



カートンラベル
CARTON LABEL
(製品型番, 数量, ロットNO. 表示)
INDICATION OF PART No., QUANTITY, LOT No.

標準カートン
STANDARD CARTON

| | | | |
|---|------------------|---|-----------------|
| REVISE ON PC ONLY | | TITLE: | |
| C | SEE SHEET 1 OF 2 | 5 3 2 6 1 梱包仕様書 SALES PACKAGING SPEC. FOR 53261 | |
| REV. | DESCRIPTION | THIS DOCUMENT CONTAINS INFORMATION THAT IS PROPRIETARY TO MOLEX INC. AND SHOULD NOT BE USED WITHOUT WRITTEN PERMISSION | |
| DOCUMENT NUMBER SPK-53261-002 | | FILE NAME SPK53261002.doc | SHEET 2 OF 2 |